

## Electronic Controls

### General

### Schematic for START/STOP/JOGG Connections.

Extra components:

1 Potentiometer 10K 1/2 W

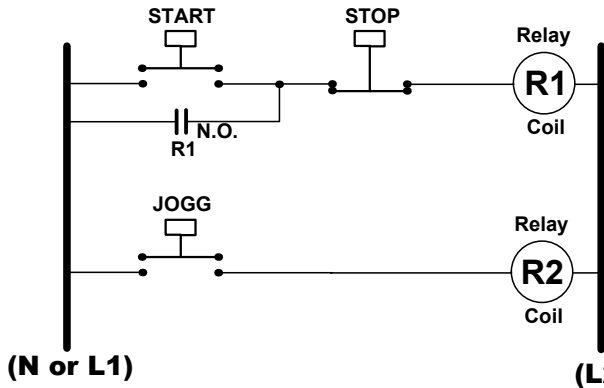
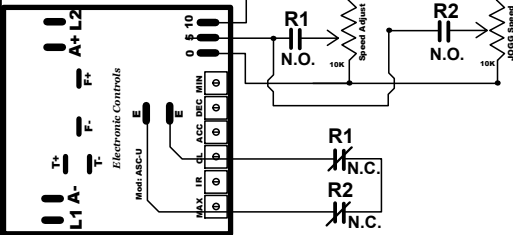
1 Resistor 10K, 1/4 W

2 Relays, 4 Pole 2T

2 Push buttons N.O.

1 Push button N.C.

### Electronic Drive



**This Circuit can be  
Mounted in an external  
Box or Cabinet**

### Note:

**Voltage between (N or L1) and (L2) MUST MATCH Coil's (R1 & R2) Voltages  
For example, If Relay's coils voltage is 115 VAC, voltage MUST BE 115 VAC.**