



LEEZE BOOM BOARD

Delivery includes:

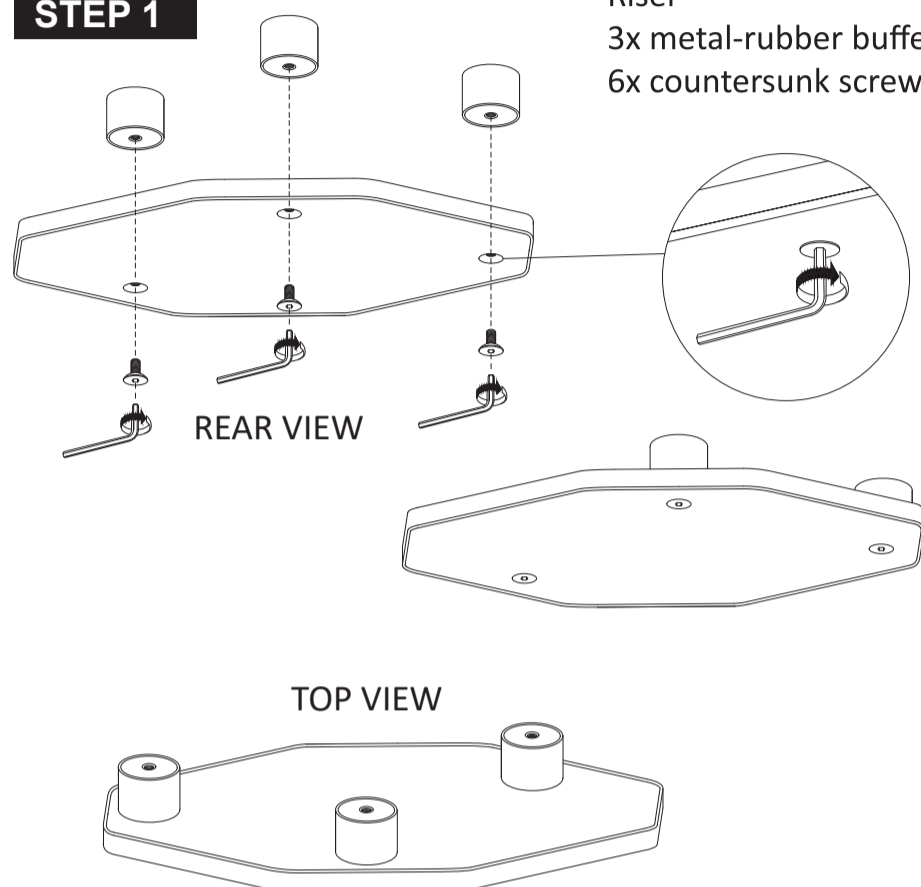
- A. Leeze Boom Board mini + Riser
- B. Metal-rubber buffer **6X**
- C. Countersunk screws **12X**
- D. Compression springs (depending on the version) **2X or 4x**
- E. Straps to fix your Smarttrainer **3X**
- F. Felt gliders **10X**

Required tool: Allen key (5mm)

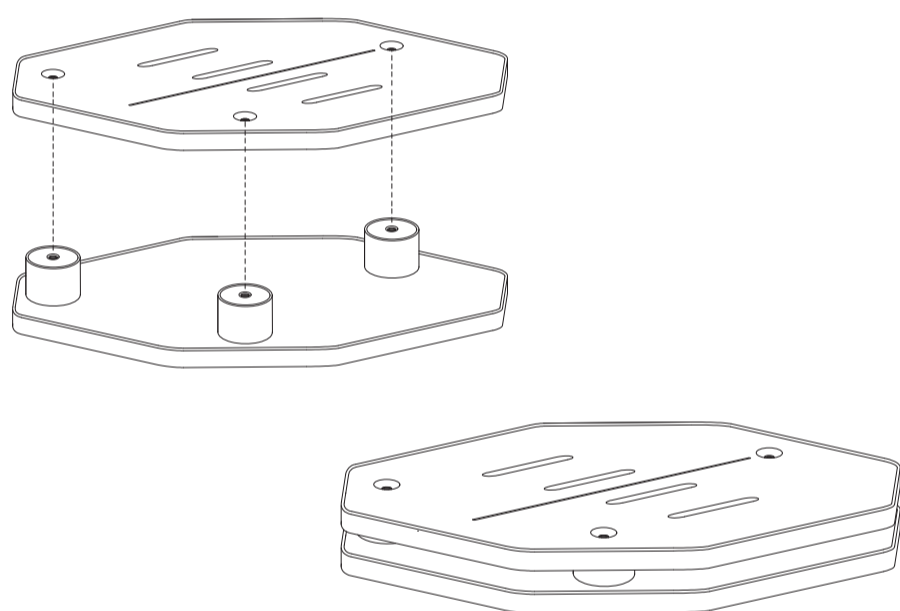
Assembling starts with the Riser (small part)

STEP 1

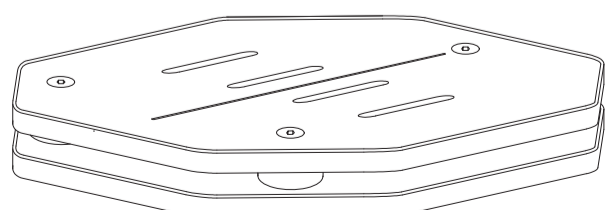
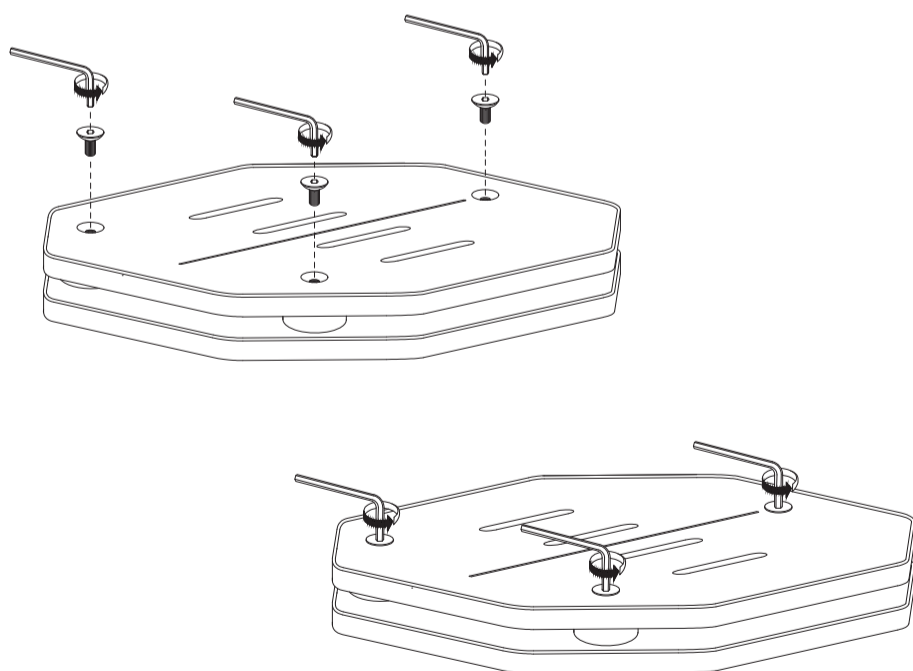
Riser
3x metal-rubber buffer
6x countersunk screws



STEP 2



STEP 3

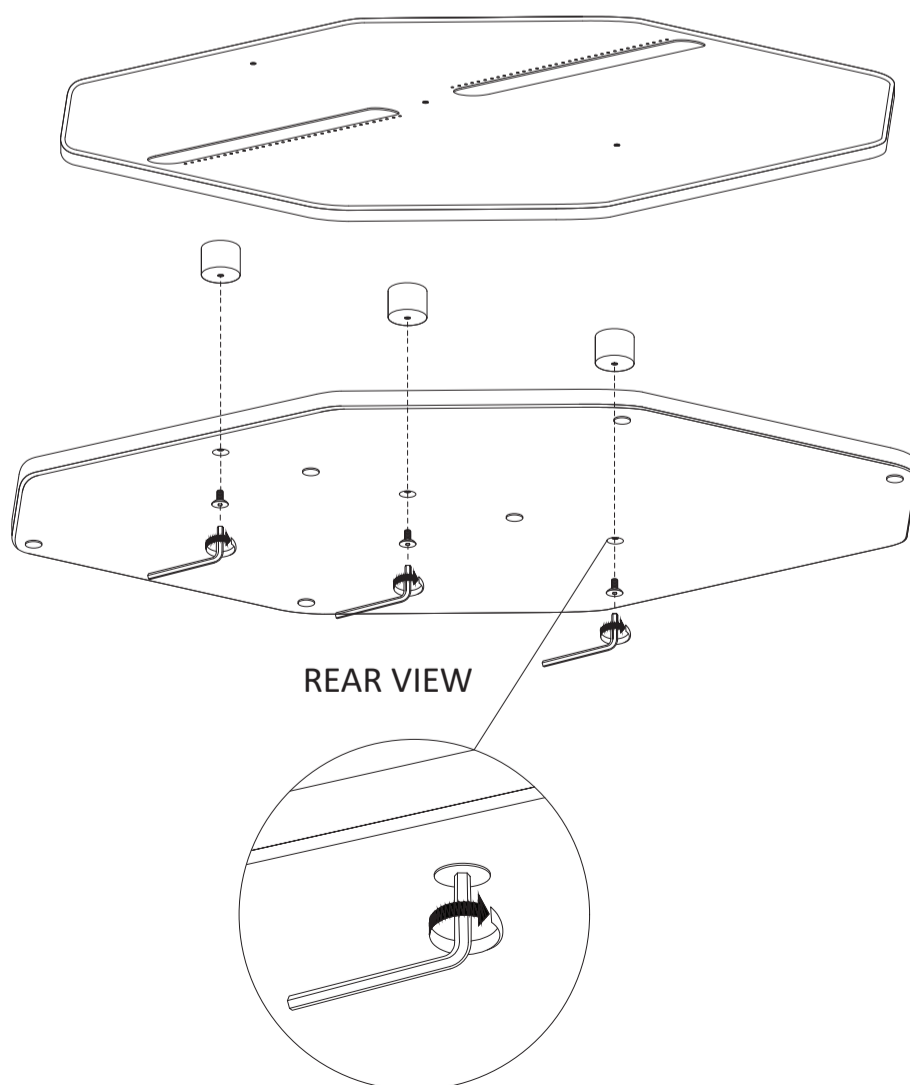


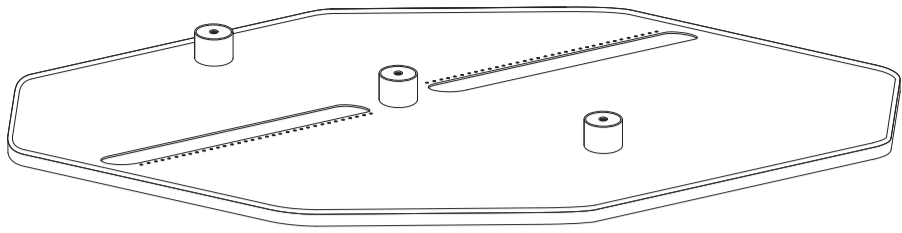
Riser is finished

Then we start with the assembling of the Boom Board mini

Boom Board mini
3x metal-rubber buffer
6x countersunk screws
2x or 4x compression springs (depending on the version)
10x felt gliders

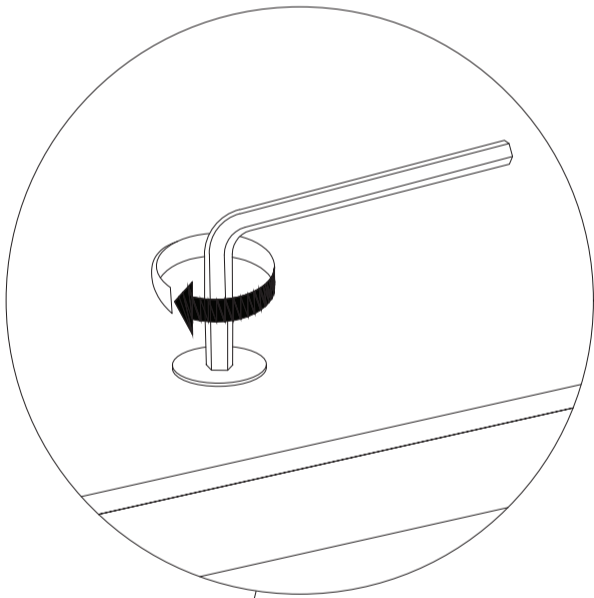
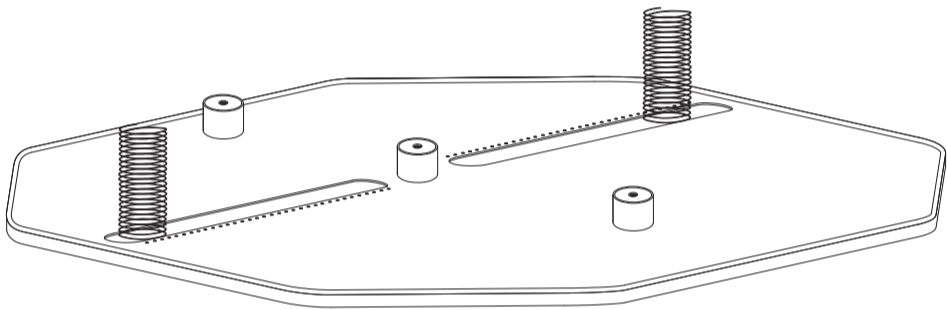
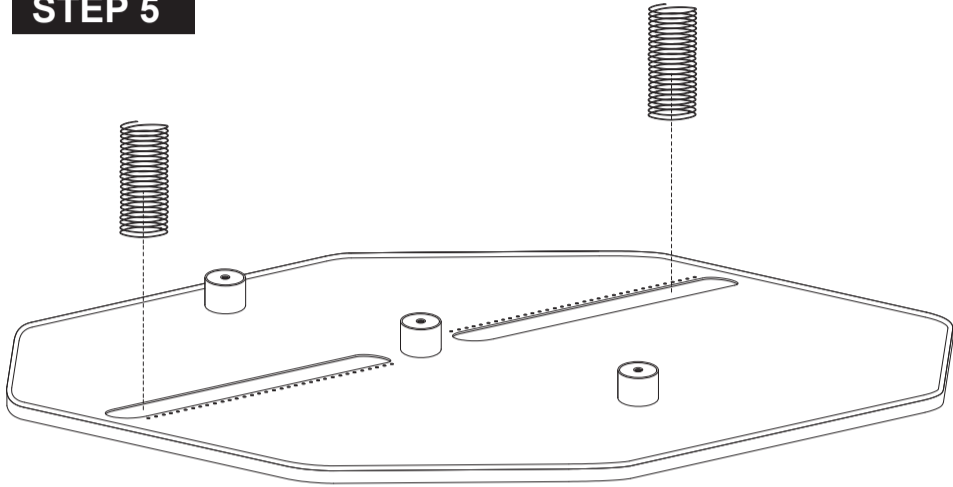
STEP 4



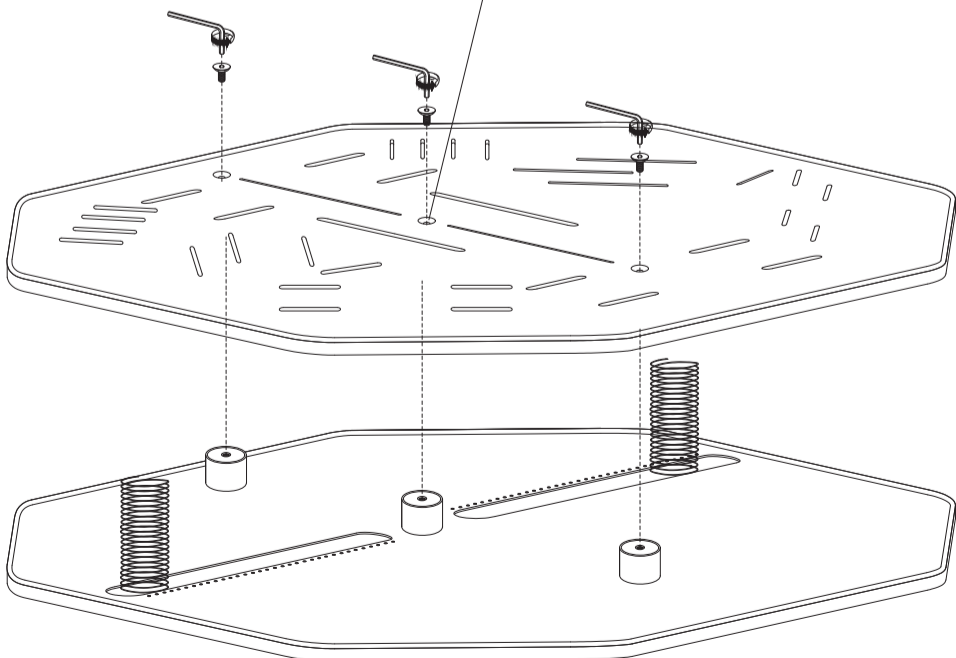


TOP VIEW

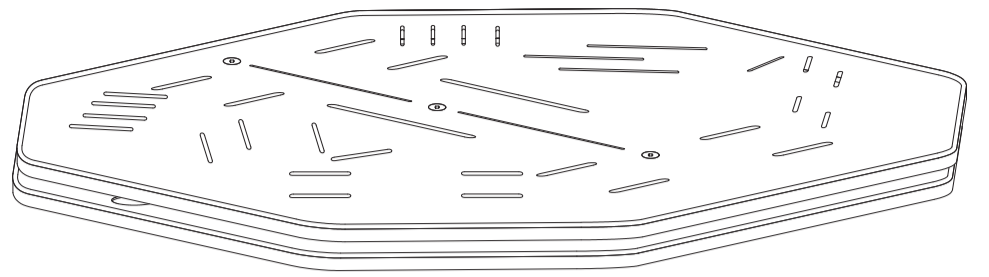
STEP 5



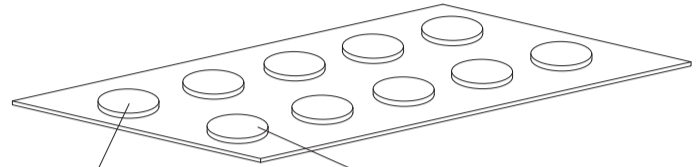
STEP 6



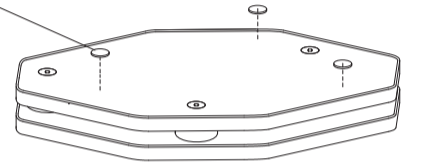
TOP VIEW



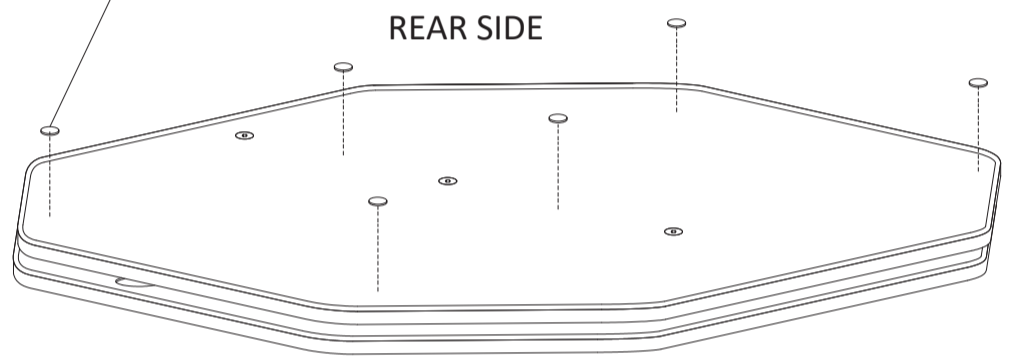
STEP 6



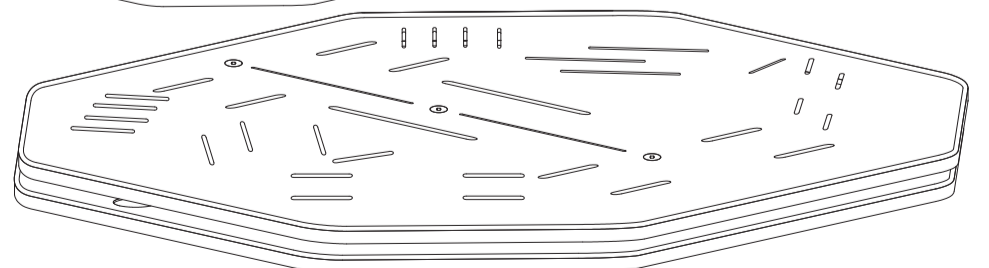
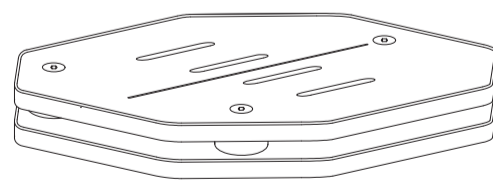
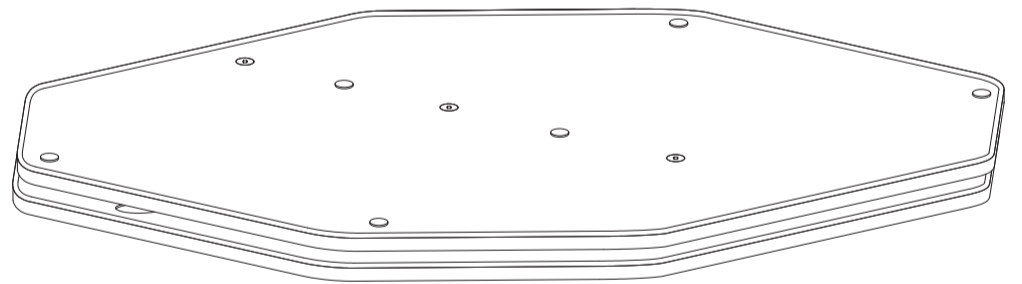
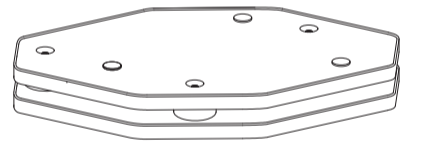
10 felt glider



REAR SIDE



Felt Glider is finished



Leeze Boom Board is finished