

KED10VDA control module

500W

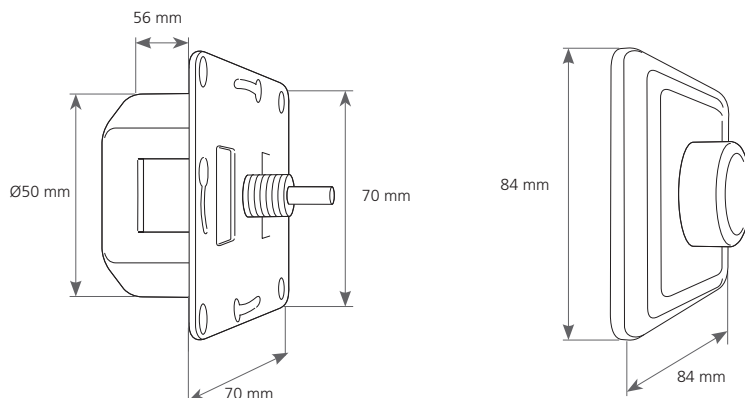
KED10VDA is a 1-10Vdc control module for mounting in wall boxes, for control of dimmable electronic ballasts and LED drivers of constant current type with a control voltage of 1-10Vdc.

Also for electronic transformers with 1-10Vdc input.

Maximum current of the terminal is 10A, control current max. 50mA (about 25-50 electronic ballasts).



**KED10VDA control module
V-40010A20DC**



KED10VDA 1-10Vdc control module

Designation	KED10VDA
Part number	V-40010A20DC
Current, max over the terminal	10A
Control current max. allowed	50mA
Input voltage	230/250V
Operating temperature	-10 +50°C
Tc max	+90°C
Connection	230V screw terminal, max 2,5 mm ² Output, 1-10V, 2-lead cable 20 cm
Output	
- push	230V, on / off
- rotation	1-10Vdc control
Application area for control of	Dimmable electronic ballast 1-10Vdc input LED driver, constant current 1-10Vdc input Electronic transformers 1-10 Vdc input
Protection	
- transients	Yes, automatic reset
- overload	Yes, automatic reset after removal of faults
- overheating	Yes, automatic reset
- short-circuit	Yes
Dimensions LxWxH	84x84x56 mm
Weight	80 g
Housing	
Framework	
- colour	White
- material	PBT
- flame class	V-0
PCB housing	
- material	PC
- flame class	V-0
Plate	
- material	Aluminum
- flame class	-
Frame compatibility	Busch Jaeger, GIRA For mounting in wall box
Isolation class	II
Degree of protection	IP20
Manufacturing standard	EN 60929
Approval	EMC / CE