



LED POWER SUPPLY DATASHEET

SS50-24VF

DESCRIPTION

Super slim LED drivers, SELV. Open circuit, short circuit, overload and over temperature protection. Compliance to ERP directive, 5 years warranty



Input

Items	Conditions	Request	Note
Input voltage	Ta	220-240Vac	--
Input frequency		50/60Hz	--
Input current	25°C, rated input voltage, output with max. rated power	<0.3A	230V/50HZ
Input power		<58W	
Efficiency		88%	
Standby	25°C, rated input voltage, output without load	<0.5W	Average
Inrush current	25°C, rated input voltage	<30A	230V/50HZ
THD	25°C, rated input voltage, output max. rated power	<10%	
PF		≥ 0.97	230V/50HZ

Output

Items	Conditions	Request	Note
Startup time	25°C, rated input voltage, output with max. rated power	<0.5S	230V
Output voltage and precision	Ta, rated input voltage, output with rated power	24V±5%	--
Output current range	Ta, rated input voltage	0-2.08A	--
Output voltage wave	25°C, rated input voltage, output with max. rated power	< 3%	Vp-p
Output overload	25°C, rated input voltage, output with 2 times LED load	--	--
Output current and precision	Ta, rated input voltage, output with rated power	--	--
Rated output voltage range	Ta, rated input voltage	--	--
Output current wave	25°C, rated input voltage, output with max. rated power	--	Ip-p

Temperate and others

Items	Conditions	Request	Note
Operation temp.	--	-20-45°C	--
Relative humidity	--	10%-90%	--
Max. Tc.	--	80°C	--
Lifetime	Below Tc 80°C, rated input voltage, output with max. rated power	50,000hr	--
MTBF	Max. Ta, rated input voltage, output with max. rated power	200,000hr	--
Working noise	25°C, rated input voltage, output with rated power, mute box background noise < 35dB, pickup 10cm distance from products	yes	--

Mechanical, mounting

Items	Conditions
Case material and size	Plastic case 159.9x57.8x18mm
Mounting ways	Independent
Insulation type	Class II
IP grade	IP20
Input connection mode	Terminal block
Output connection mode	Terminal block
Output cables length	Max. 2m

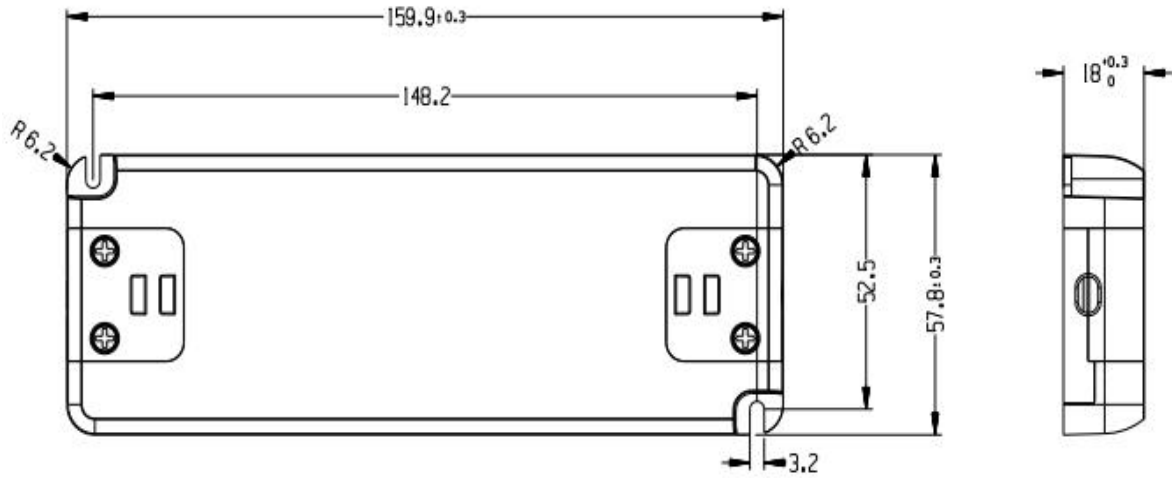
Protection

Item	Conditions	Request	Note
Open circuit	Ta, rated input voltage, no load	yes	--
Over load	Ta, 0.94-1.06 times of input voltage, 1.3 times of rated power	yes	--
Short circuit	Ta, 0.94-1.06 times of input voltage	yes	--
Over temperature	Ta, 0.94-1.06 times of input voltage, temperature detected pointed more than 115 degree	yes	--
Over voltage	Ta, 0.94-1.06 times of input voltage, output voltage is 1.5 times of rated one	yes	--
Auto recovery	Over load, short circuit Over temperature auto revocation	yes	--
Latch off	--	--	--

Standard

Items	Conditions
Safety	IEC61347-1, IEC61347-2-13
Harmonic	EN61000-3-2 Class C
EMI	EN55015
EMS	EN61547

● **Dimensions(mm)**



● **Wiring Diagram**

