



- Smallest I/O module directly powered by 100VAC to 240VAC with 4 inputs and 8 outputs.
- Low power consumption, 0.2 Watt.
- Simply operates with Casambi.

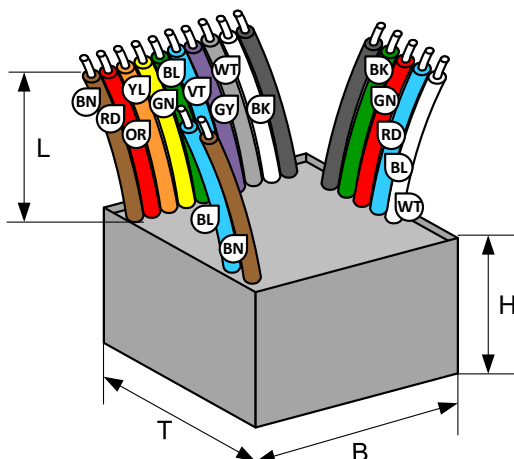
The I/O-Modul LIGA.AIR.4IN.8OUT.240 is controlled by the Casambi application. The entire module is encapsulated in a black ABS housing and has the dimensions of 38 x 38 x 27mm. The compact housing design allows a simple installation in flush-mounted boxes or in a cable duct.

The module is directly connected to 230VAC and has 4 insulated inputs for pushbuttons with dry contacts and 8 digital outputs for 48VDC and a total, fused current of 400mA.

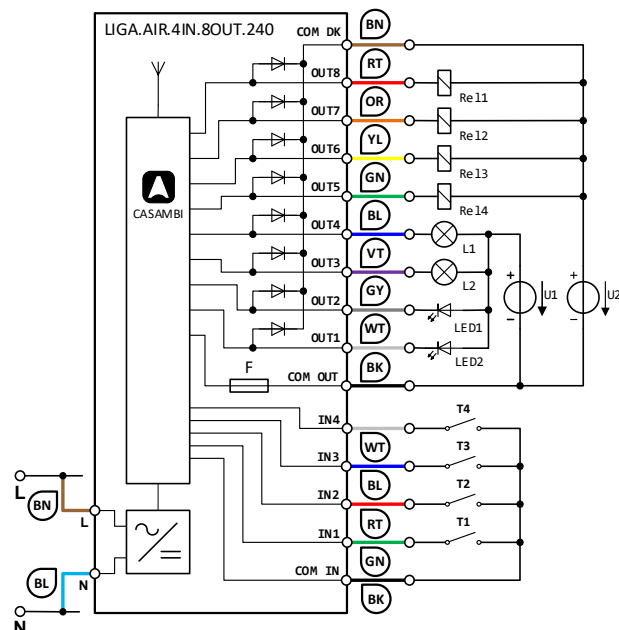
Each output is protected by a diode for the operation of inductive loads such as DC-relays etc. For this operation, the common diodes cathodes (COM DK) needs to be connected to the power source of the relays. (Shown below in the circuit examples: Connection from positive pole of U2 to COM DK.)

When using multiple power supplies, the supply connected to COM DK must have the highest voltage of all, or a discharge through the internal diodes will happen and may damage the module.

Dimensional drawing:



Schematics and circuit examples:



Installation only by a professional electrician according to the local regulations!

Technical specifications:

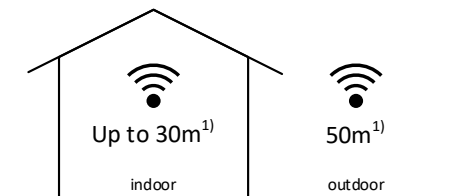
Dimension (T x B x H)	38 x 38 x 27mm
Weight	90g
Color	Enclosure black
Mounting	In flush-mounted boxes or cable ducts etc.
Environmental conditions	Operation: Temperature -20 ... 50°C, humidity < 85%rH Stock: Temperature -25 ... 65°C, humidity < 95%rH
Protection type / Protection class	IP64, EN-60529 / Appliance Class II
Connections	Flexible 2 x 0.5mm ² (AWG20), L = 150mm: Brown (BN): L, phase conductor, blue (BL): N, neutral conductor Flexible flat ribbon cable 5 x 0.5mm ² (AWG20), L = 150mm: Black (BK): COM IN, Green (GN): IN1, red (RT): IN2, blue (BL): IN3, white (WT): IN4 Flexible flat ribbon cable 10 x 0.5mm ² (AWG20), L = 150mm: Black (BK): COM OUT, white (WT): OUT1, gray (GY): OUT2, violet (VT): OUT3, blue (BL): OUT4, green (GN): OUT5, yellow (YL): OUT6, orange (OR): OUT7, red (RT): OUT8, brown (BN): COM DK, protecting diodes for the operation of inductive loads.
Power supply / Frequency	100-240VAC, 50-60Hz
Power consumption	0.2 Watts max
Standards	Low Voltage Directive (LVD) 2014/35/EU, EN 60669-2-1 Electromagnetic compatibility (EMC) 2014/30/EU
CASAMBI Modul Standards	Bluetooth 4.0 Wireless Control
Dimming and switching	Configurable with the Casambi application (App Store, Google Play)
Applications	Switching and dimming of loads e.g. lamps Dimming of DYN Color etc.
Scope of delivery	1 I/O module

Compatible devices:



iPhone 4S or later
iPad 3 or later
iPod Touch 5th gen or later.
Android 4.4 KitKat or later devices
 produced after 2013 with full BT 4.0 support.

Range:



Casambi uses mesh network technology so each CBU-ASD acts also as a repeater.

Longer ranges can be achieved by using multiple Casambi units.

Range is highly dependent on the surrounding and obstacles, such as walls and building materials.

