



- **Smallest Outdoor 2 relays module for 230VAC up to 2 Amps. switching current**
- **Smallest power consumption, 2 Watts (0.7 Watts standby).**
- **Simply operates with Casambi.**

The Casambi Outdoor Relay Module consists of the basic module LIGA.AIR.OD.2REL.240+ and the antenna LIGA.AIR.OD.2REL.ANT and is controlled by the Casambi App.

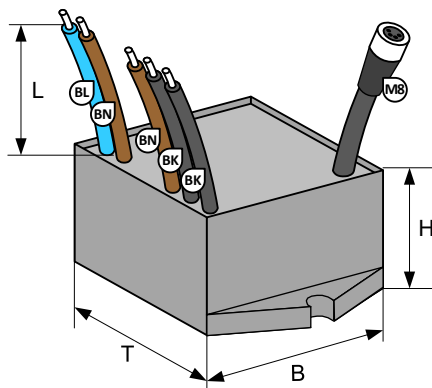
The basic module is connected directly to 100-240 VAC and has two separate and independently controllable relay switch-on contacts, each of which can be loaded with max. 2 Amps.

The detachable, and potted antenna is connected to the base module by means of a waterproof M8 connector and for better reception it can be located outdoors several meters (optionally even more extendable) from the base module.

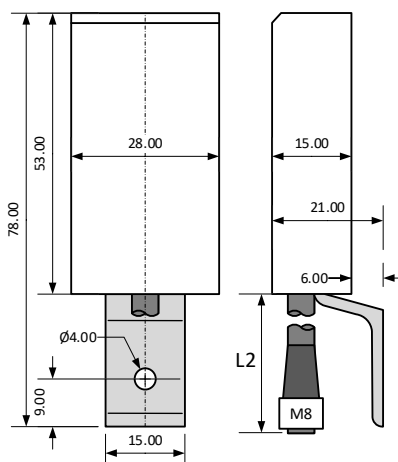
The base module is encapsulated in a black polycarbonate housing and has the dimensions 44 x 44 x 23mm and allows easy installation in flush-mounted boxes or in a cable duct.

Dimensional drawing:

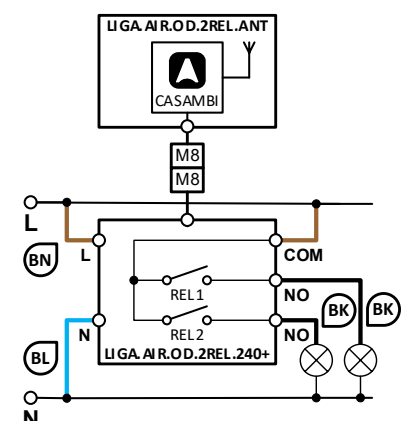
Basic Module



Antenna



Schematics:



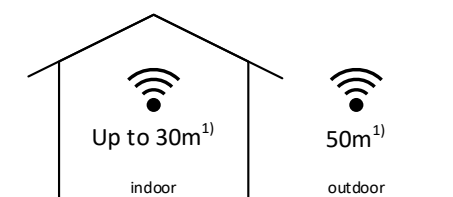
Installation only by a professional electrician according to the local regulations!

**Technical specifications:**

Dimension (T x B x H)	44 x 44 x 23mm
Weight base module / antenna / total	85g / 95g / 180g
Colors base module / antenna	Black / aluminum nature and white
Mounting base module / antenna	In flush-mounted boxes or cable ducts etc.
Environmental conditions	Operation: Temperature -20 ... 50°C, humidity < 85%rH Stock: Temperature -25 ... 65°C, humidity < 95%rH
Protection type / Protection class	IP64, EN-60529 / Appliance Class II
Connections Power supply	Flexible 1mm ² (AWG17), L = 150mm: Brown (BN): L, phase conductor Blue (BL): N, neutral conductor
Connections relay 1 and relay 2	Flexible 1mm ² (AWG17), L = 150mm: Brown (BN): COM, common contact 2 x Black (BK): NO, normally opened
Connection antenna	Waterproof connector M8, L+L2 = approx. 2m, with suitable M8 cable (optional) extendable to max. 10m
Power supply / Frequency	230VAC, 50Hz
Power consumption	Max. 2 Watts (0.7W standby)
Relay output	Each 2 Amps max. / 230VAC (note inrush current of load)
Standards	Low Voltage Directive (LVD) 2014/35/EU, EN 60669-2-1 Electromagnetic compatibility (EMC) 2014/30/EU
CASAMBI Modul Standards	Bluetooth 4.0 Wireless Control
Switching times	Configurable with the Casambi application (App Store, Google Play)
Applications	Switching on of loads e.g. lamps etc.
Scope of delivery	1 Basic module, 1 Antenna

Compatible devices:**iPhone 4S** or later**iPad 3** or later**iPod Touch 5th gen** or later.**Android 4.4 KitKat** or later devices

produced after 2013 with full BT 4.0 support.

Range:

Casambi uses mesh network technology so each CBU-ASD acts also as a repeater.

Longer ranges can be achieved by using multiple Casambi units.

Range is highly dependent on the surrounding and obstacles, such as walls and building materials.

