

DALI PS1

DALI power supply



Product description

- _ For supplying 200 mA for DALI devices or control modules without their own power supplies
- _ Surface-mounted casing
- _ 5 years guarantee (conditions at <https://www.tridonic.com/manufacturer-guarantee-conditions>)

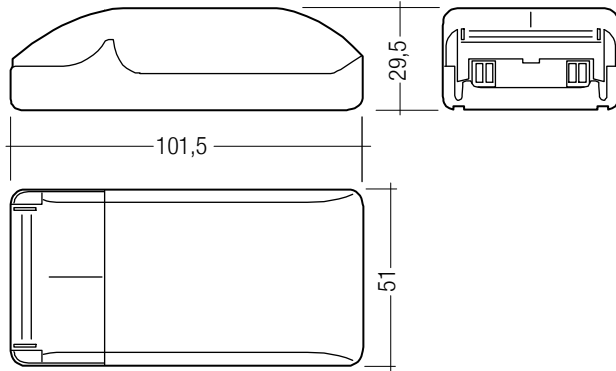
Website

<http://www.tridonic.com/24-034323>



DALI PS1

DALI power supply

**Ordering data**

| Type | Article number | Packaging, carton | Weight per pc. |
|----------|----------------|-------------------|----------------|
| DALI PS1 | 24034323 | 172 pc(s). | 0.155 kg |

Technical data

| | |
|---|----------------------|
| Rated supply voltage | 220 – 240 V |
| Mains frequency | 50 / 60 Hz |
| Typ. rated current (at 230 V, 50 Hz, full load) | 57 mA |
| Power | 4 W |
| Output | DALI |
| Max. output current, DALI | 200 mA |
| Ambient temperature t_a | 0 ... +50 °C |
| Type of protection | IP20 |
| Dimensions L x W x H | 101.5 x 51 x 29.5 mm |
| Guarantee (conditions at www.tridonic.com) | 5 Year(s) |

Approval marks

1. DALI standard

DALI PS1 is designed to supply control gear with DALI standard IEC 60929 (DALI V0) and IEC 62386 (DALI V1).

1.1 Glow-wire test

according to EN 60598-1 passed.

2. Common

2.1 Functional description

Central DALI power supply rated at 200 mA (DALI standard allows max. 250 mA).

The controls interface of a DALI ballast normally sources 2 mA, with 64 individual addresses this will source 128 mA.

The remaining 72 mA can be used to power other DALI controls without an internal power supply such as the DALI GC and DALI SC.

2.2 LED display

Status LED indicating operating status.

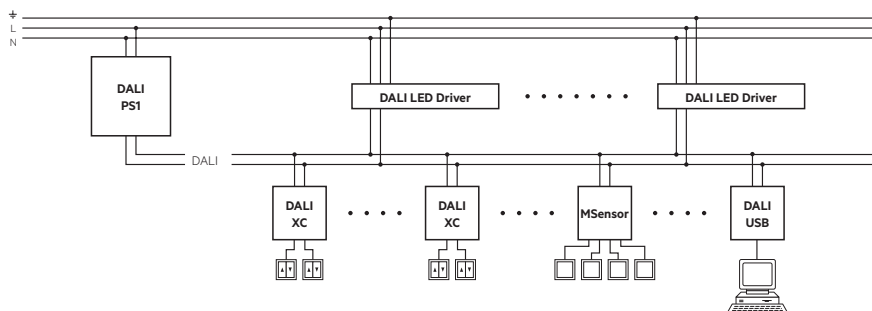
Green (flashing): normal operation (with telegram traffic through bus).

Red: short circuit or excessive load at DALI control line.

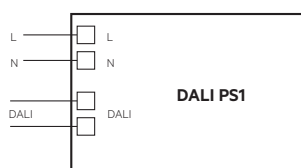
3. Installation

- DALI signals are not SELV. Therefore the same procedures should be applied as working with mains voltage.
- Only plastic screws may be used for fastening.
- Individual DALI circuits must not exceed 200 mA.
- The maximum cable length of the DALI signal wires must not exceed 300m or drop more than 2V on the signal line voltage.

3.1 Wiring

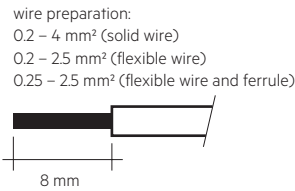


3.2 Circuit diagram



3.3 Cable types and cable cross-sections

For wiring use solid wire from 0.2 to 4 mm², stranded wire from 0.2 to 2.5 mm² or stranded wire with ferrules from 0.25 to 2.5 mm². Strip 8 mm of insulation from the cables to ensure perfect operation of terminals.



4. Miscellaneous

4.1 Disposal



According to the WEEE directive return old equipment at appropriate collection facilities.

4.2 Additional information

Additional technical information at www.tridonic.com → Technical Data

Guarantee conditions at www.tridonic.com → Services

Lifetime declarations are informative and represent no warranty claim. No warranty if device was opened.