

Technical Data

Signalling Line Circuit Style 7, Class A Supervised, Power Limited

| | |
|-------------------------|--------|
| Current (nom) | 322 µA |
| Operating Voltage (nom) | 24 VDC |

Output Relay Supervisory Programmable

| | |
|-------------------------------|-------------------------|
| Switchable voltage | nom 24 VDC / max 30 VDC |
| Contact rating | 1A |
| Max Line Impedance | 16Ω |
| Power factor (Resistive pf=1) | 1A |

Environmental

| | |
|---------------------------|------------|
| Operating Temperature | 0°C- 49 °C |
| Humidity (Non Condensing) | 93% RH |

Standards

| |
|-------------------|
| UL864 9th Edition |
|-------------------|

Compatibility

| |
|---|
| Suitable for use with Eaton Analogue Addressable Fire Systems |
|---|

Physical Characteristics

| | |
|--------------------|----------------------|
| Dimensions | 63mm x 35mm x 18.5mm |
| Weight | > 0.1gm |
| Ingress Protection | IP40 |
| Wiring cable (max) | 1.5mm |

ULMCOM

| |
|--|
| Addresses as a standard I/O unit, resets on reset. (limited to maximum I/O addresses supported on the panel) |
|--|

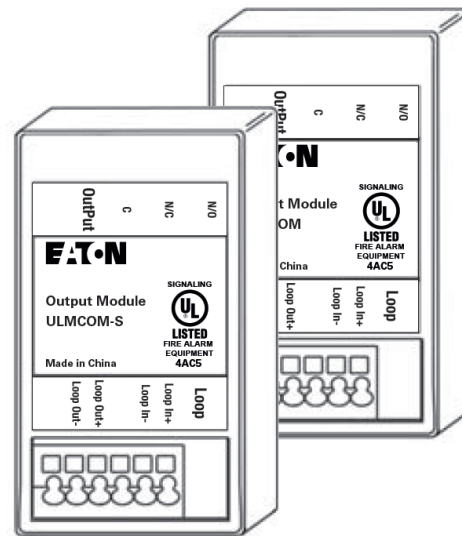
ULMCOM-S

| |
|--|
| Addresses as a sounder, resets on silence. (limited to maximum sounder addresses supported on the panel) |
|--|

SIGNALING



LISTED
FIRE ALARM
EQUIPMENT
4AC5



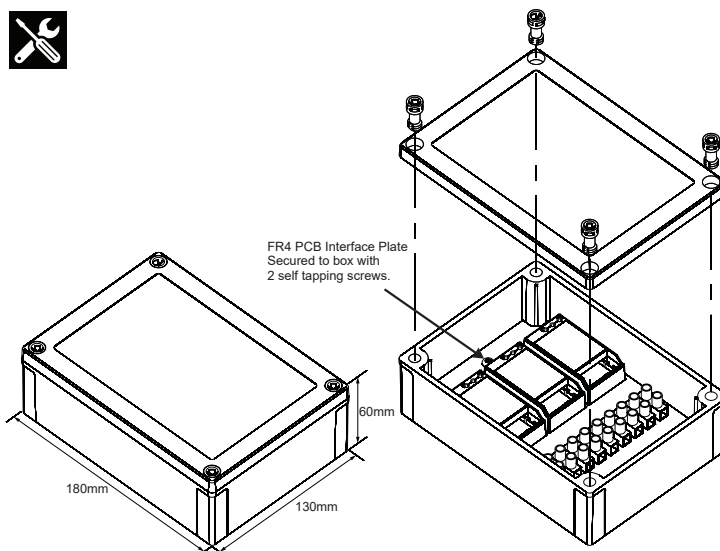
Installation

1. Fit the box in position using the mounting details below.
2. Connect the unit according to the diagram below.
3. Recommended cable Type FPLP (plenum cable), Type FPLR (riser cable), or Type FPL
4. ULMCOM & ULMCOM-S module can be fitted inside a junction box.
5. Up to 3 ULMCOM & ULMCOM-S modules can be fitted inside the Fibox enclosure per the drawing below.

Notes: No addressing of the interface is required. See control panel operation for details.

Short Circuit Isolation Data (Integral with each detector)

| Description | Field Wiring SLC Circuit (input) | Single Channel Input |
|---------------------------|----------------------------------|----------------------|
| Wiring Gauge | 12 Max AWG | 12 Max AWG |
| Wiring Class | Class A Style 7 | |
| Ground Fault Impedance | 0.1 Ohm | |
| Supervised, power limited | Yes | Yes |



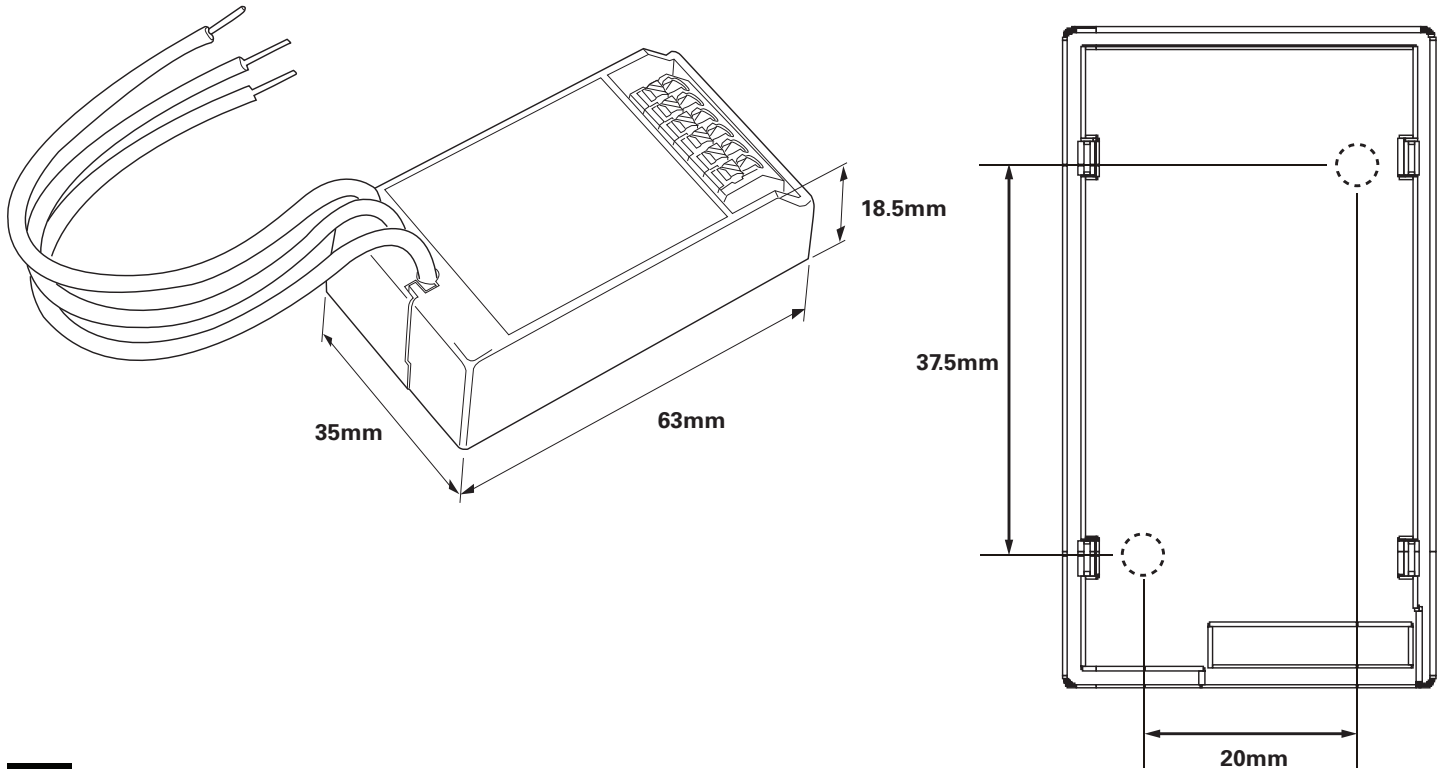
The module **must** be housed in Fibox Oy AB model PC 150/60 HG or any UL Listed Enclosure rated 5VA minimum with the same or greater dimensions as shown.



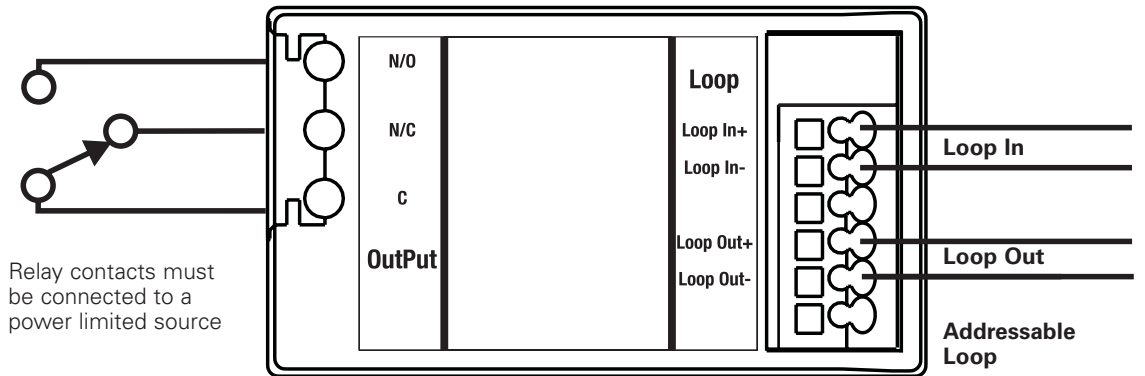
Powering Business Worldwide



(Drilling positions, template over leaf)



All connections are Power Limited



Notes: Output relay are volt-free contacts and are not monitored.