

PR and PKR Actuators with Butterfly Valves

i

2 Way HD/L series shown

Near Field Communication (NFC) allows fast programming, commissioning and troubleshooting – even when the actuator is not powered it can be programmed

Belimo Assistant App

GET IT ON Google Play Download on the App Store

1

2 Way HD/L series shown

10...15°

10...15°

10...15°

Subject to change. © Belimo Aircontrols (USA), Inc.



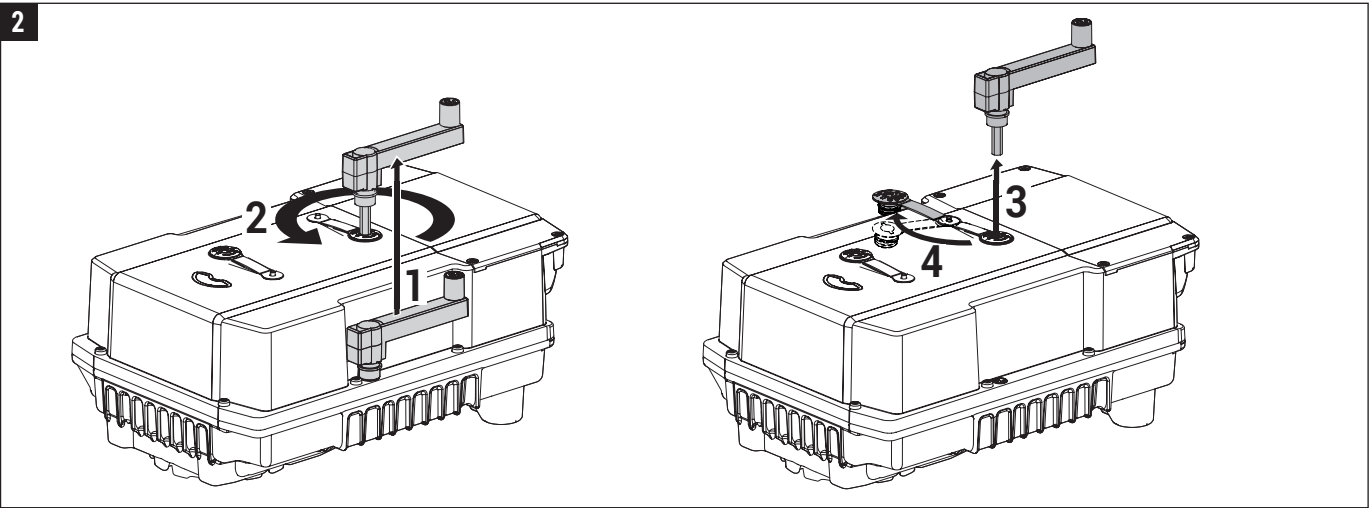
Video: IP66/67 with Belimo PR, PM, PK actuator

www.belimo.eu/safety

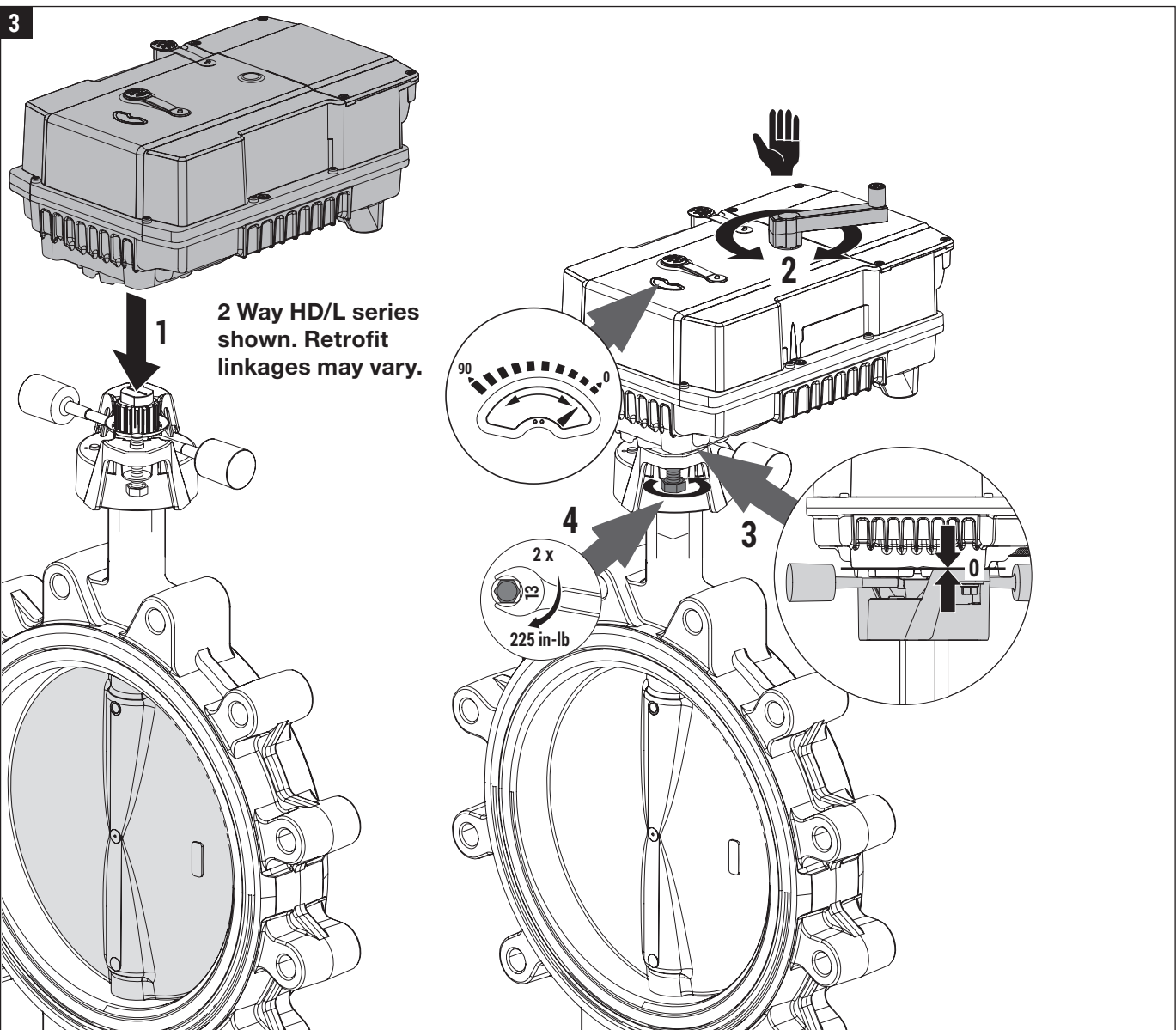


PR and PKR Actuators with Butterfly Valves

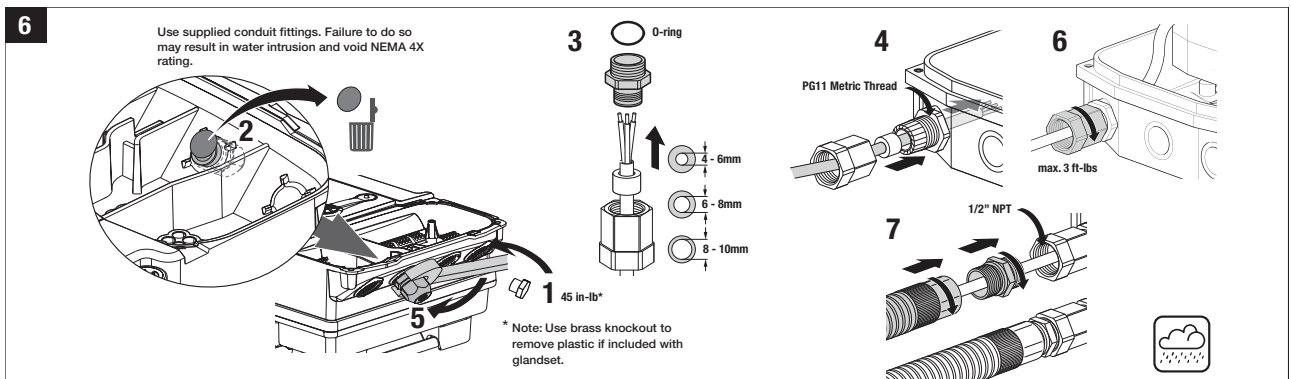
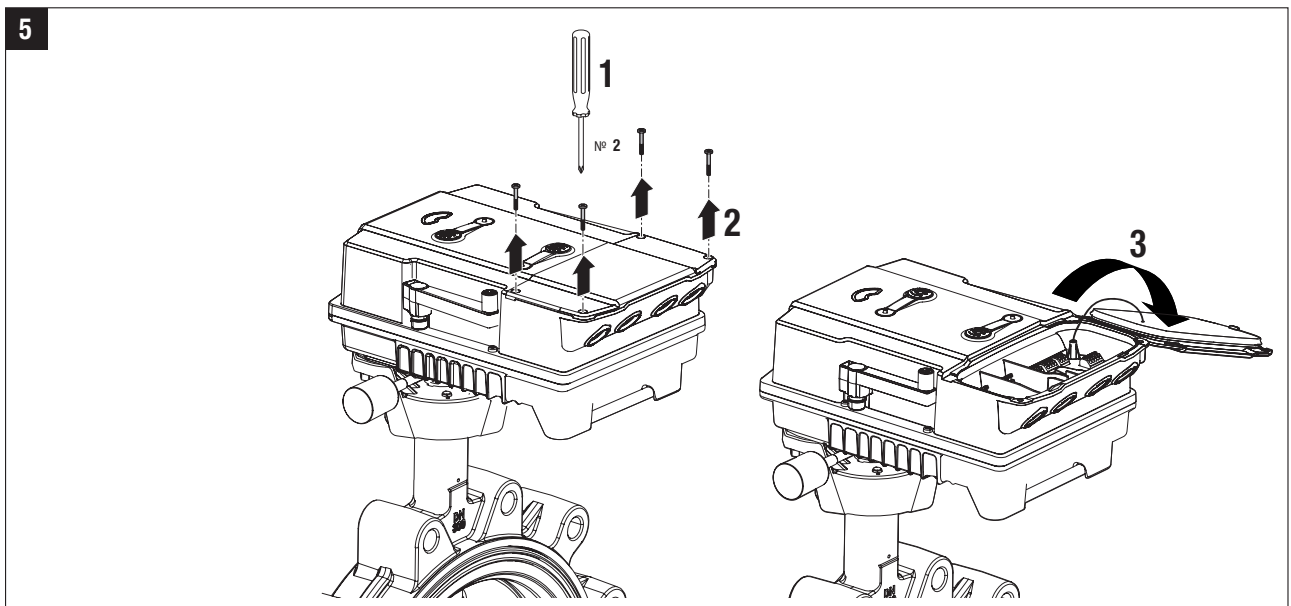
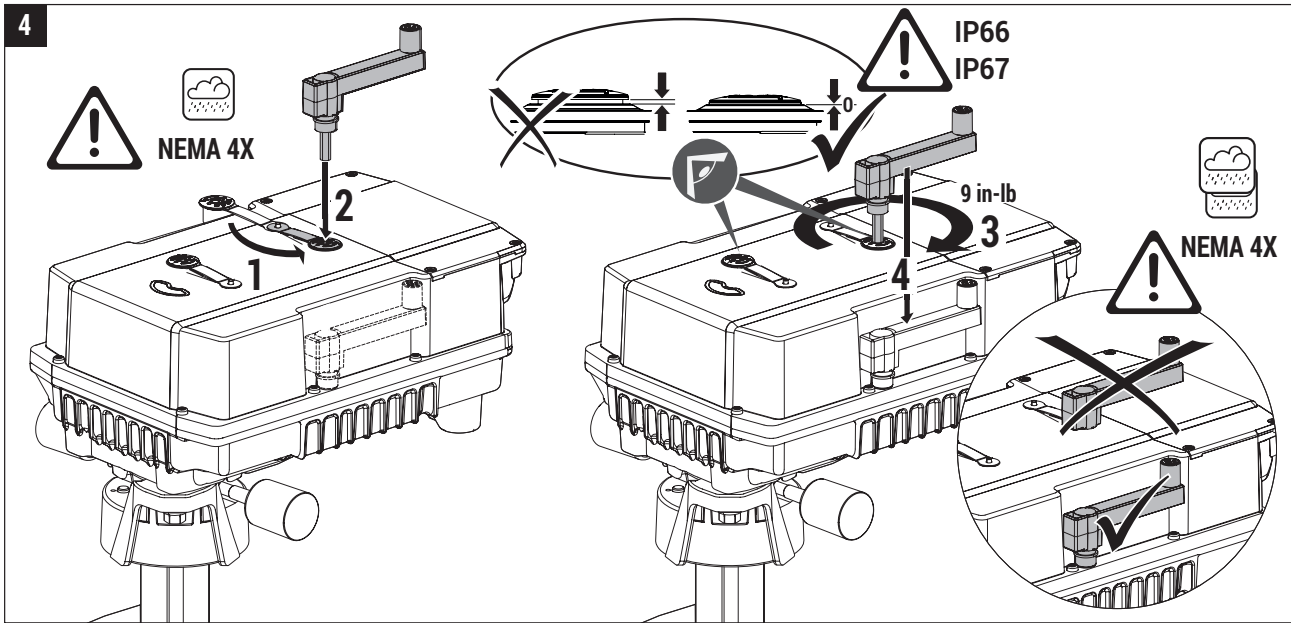
2



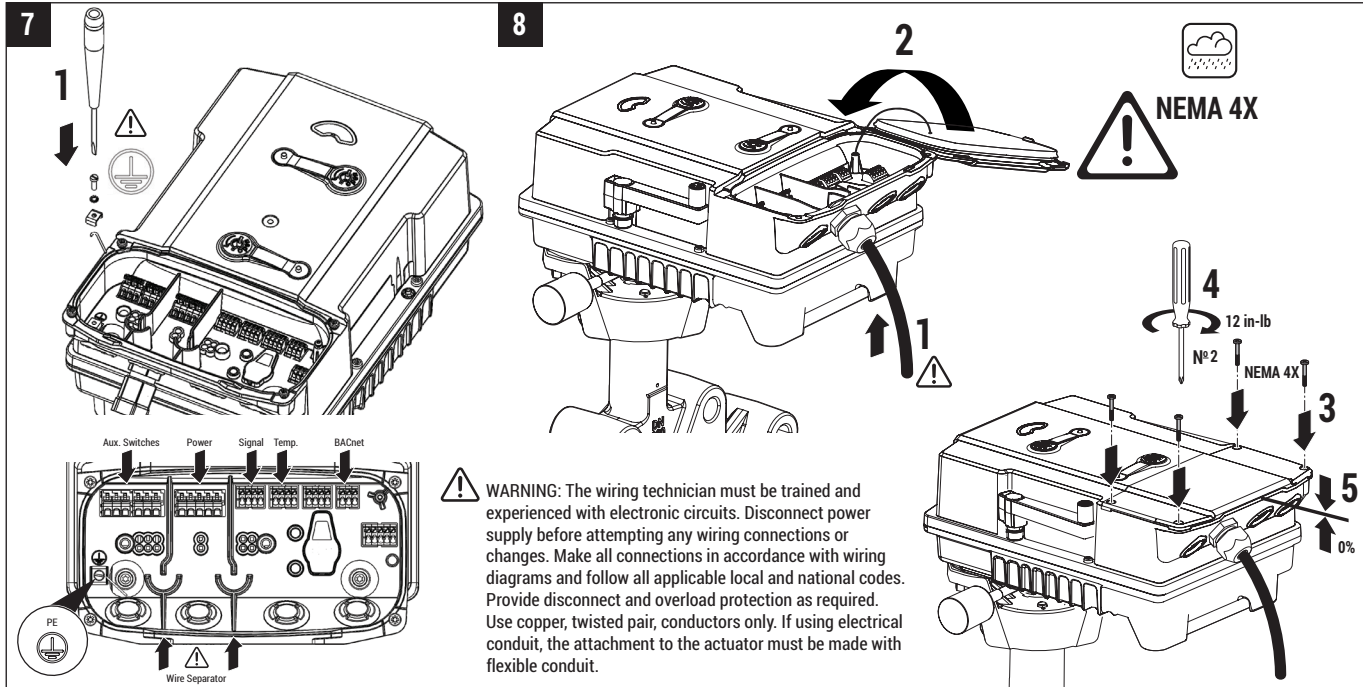
3



PR and PKR Actuators with Butterfly Valves



PR and PKR Actuators with Butterfly Valves



WIRING DIAGRAMS

PR and PKR Actuators

On/Off

Floating Point

On/Off

VDC / 4 to 20 mA

BACnet

Temp Sensor

End Switches

Optional: end switch adjustment

Push-buttons and display

Notes:

- ◆ Meets cULus requirements without the need of an electrical ground connection.
- ⚠ Provide overload protection and disconnect as required.
- ⚠ Only connect common to neg. (-) leg of control circuits.
- ⚠ Two built-in auxiliary switches (2x SPDT), for end position indication, interlock control, fan startup, etc.
- ⚠ Actuators may be controlled in parallel. Current draw and input impedance must be observed.
- ⚠ Universal Power Supply (UP) models can be supplied with 24 VAC up to 240 VAC, or 24 VDC up to 125 VDC.
- ⚠ During installation, testing, servicing and troubleshooting of this product, it may be necessary to work with live electrical components. Have a qualified licensed electrician or other individual who has been properly trained in handling live electrical components perform these tasks. Failure to follow all electrical safety precautions when exposed to live electrical components could result in death or serious injury.

**Control type, Direction and Fail position changes can be made via Belimo Assistant App, i.e. Floating or 4-20mA.

⚠ Disconnect power.

- 1 Gear disengagement**
Open the manual override cover and insert the hand crank. Manual override is possible.
- 2 Manual override**
Turn the hand crank until **A** indicates the desired switching position and then remove the crank.
- 3 Auxiliary switch**
Open the auxiliary switch adjustment cover and properly seat the hand crank into the actuator. **B** Turn the crank until the arrow points to the vertical line.
- 4 Terminals**
Connect continuity tester to S4 + S5 or to S4 + S6. If the auxiliary switch should switch in the opposite direction, rotate the hand crank by 180°.
- 5 LED Display Green**
6 LED Display Yellow Off: No power supply or malfunction, On: In operation Press button: Triggers test run, followed by standard mode.
- 6 LED Display Yellow**
Off: Standard mode, On: Test run active.