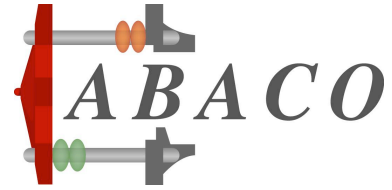


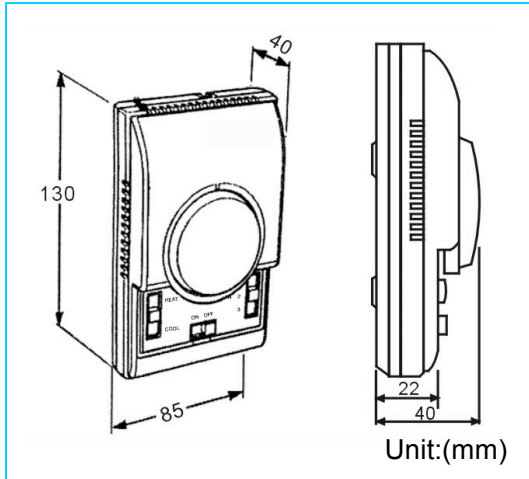
# Electronic Thermostat ABC103-E

## 1. Technical data:

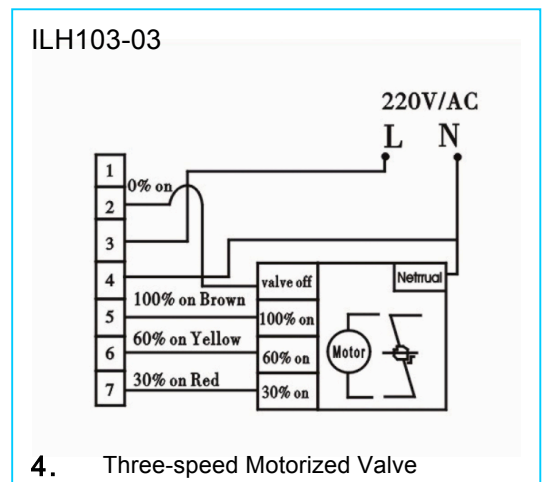
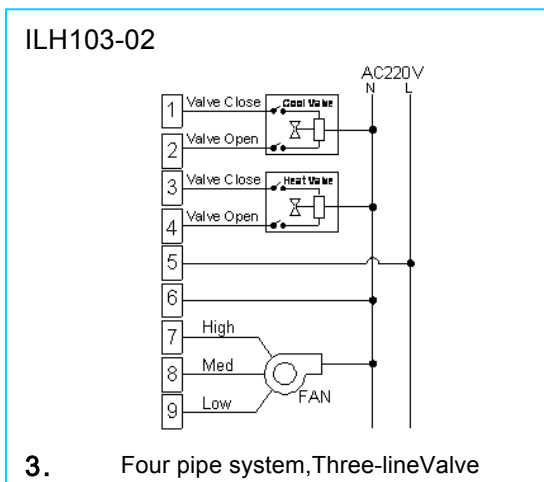
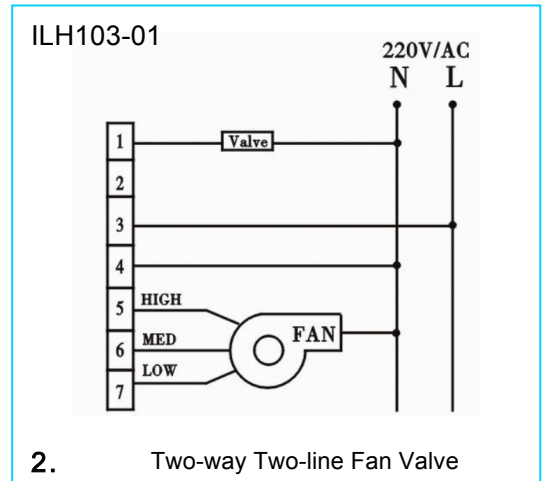
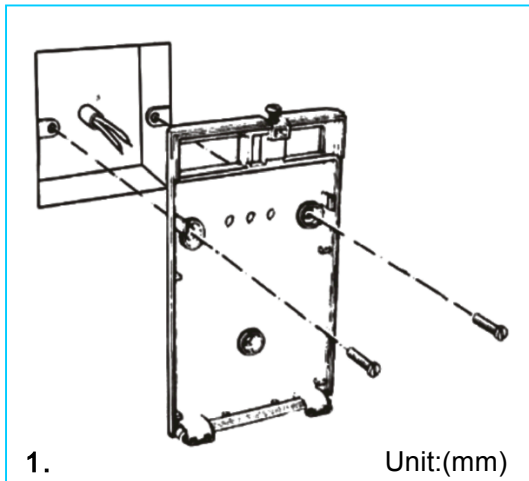
- Rated voltage: 220VAC±10%, 50Hz
- Temperature control : Electronics (NTC)
- Set points: 15~30 °C
- Temperature precision : ±1 °C
- Max current: <2A
- Storage temperature: -20~55 °C, relative humidity <92%
- Appearance Color: white



## 2. Dimension & Installation sheet

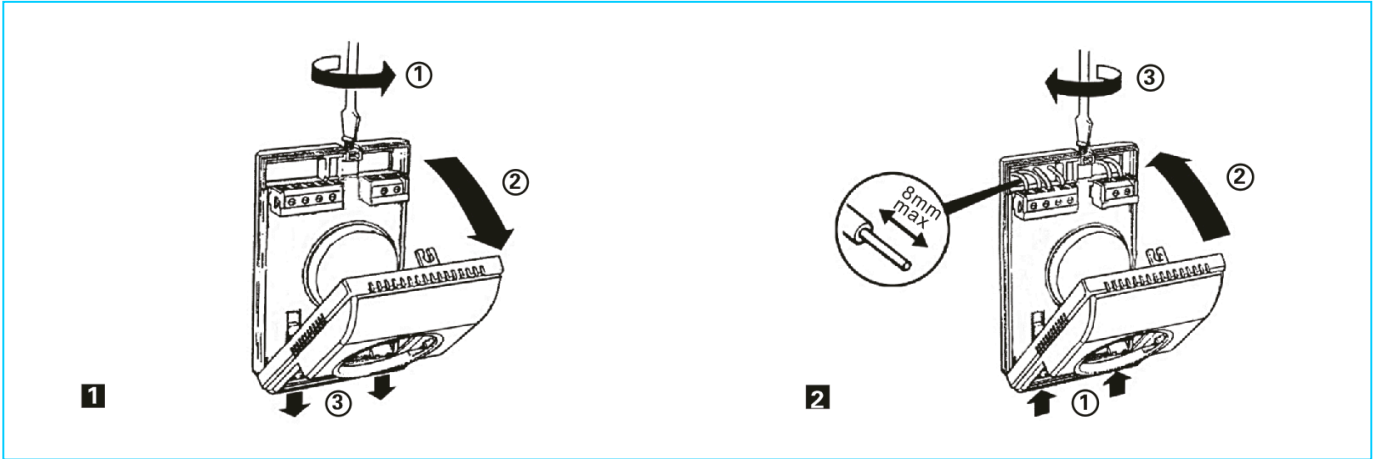


## 3. Wiring graph

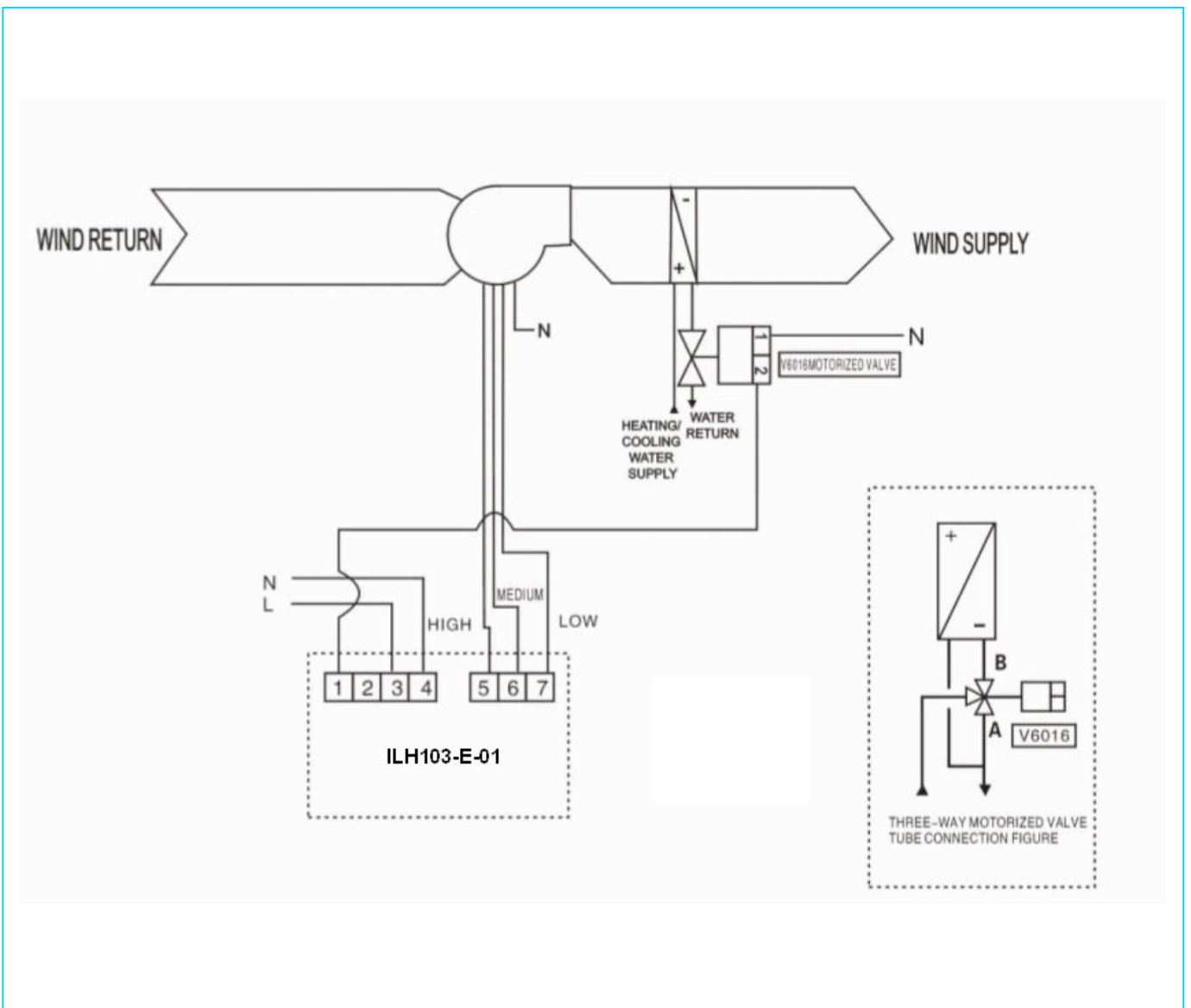


# Electronic Thermostat ABC103-E

## INSTALLATION



## TYPICAL APPLICATION



No user serviceable parts. Do not dispose off in a fire.