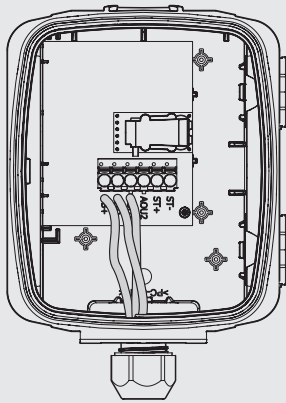
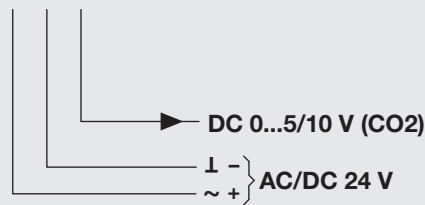
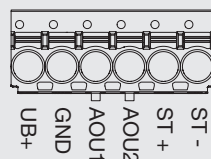


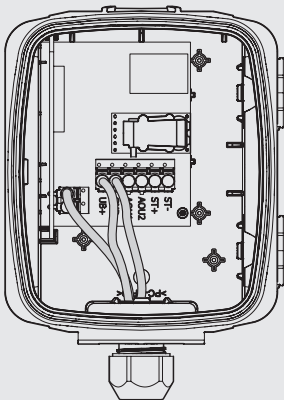
22DC-11 / 22DC-51



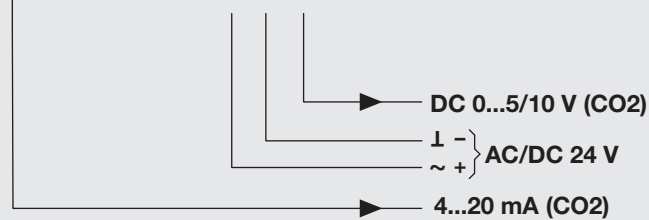
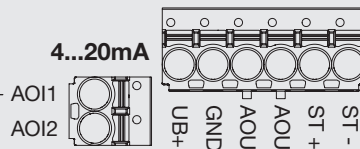
DC 0...5/10 V



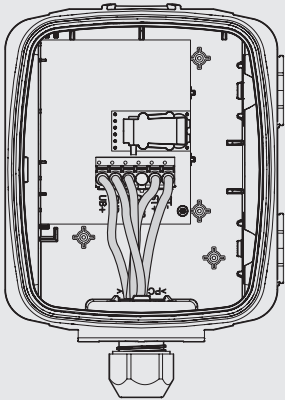
22DC-13 / 22DC-53



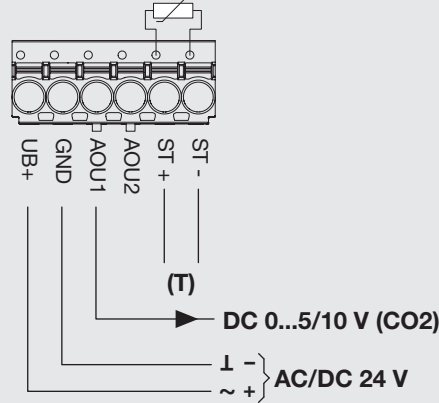
4...20mA



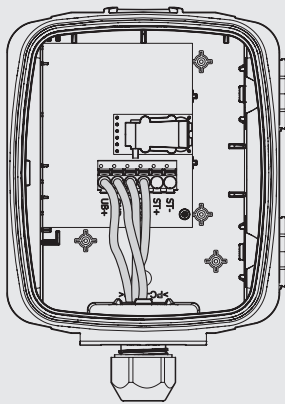
22DC-110.. / 22DC-510..



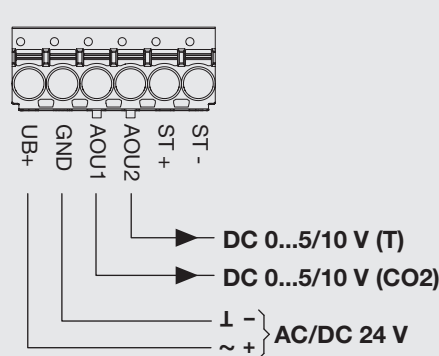
DC 0...5/10 V + ST



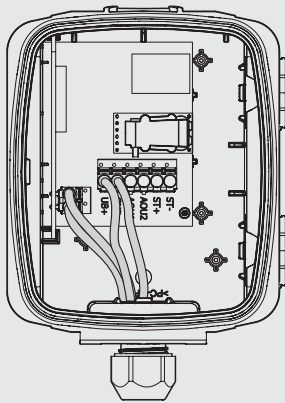
22DTC-11 / 22DTC-51



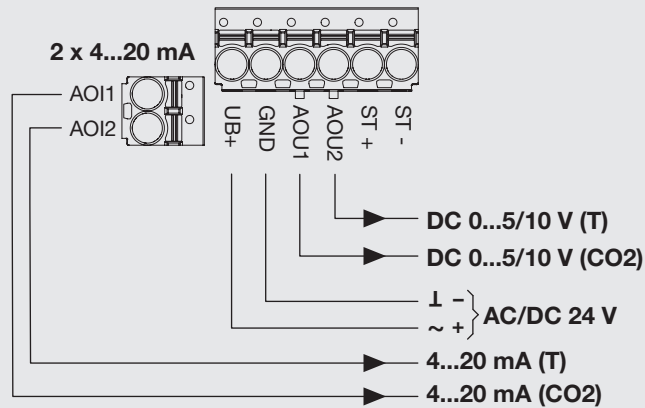
2 x DC 0...5/10 V



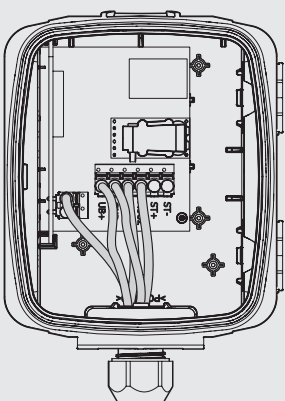
22DTC-13 / 22DTC-53



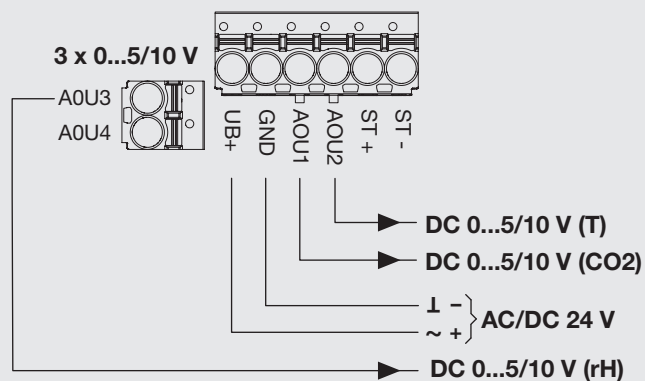
2 x 4...20 mA



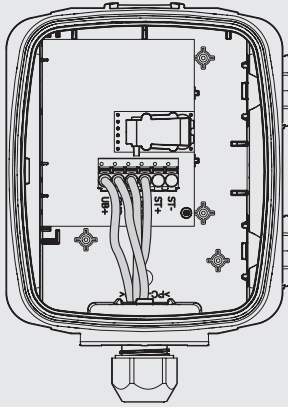
22DTM-11.. / 22DTM-51..



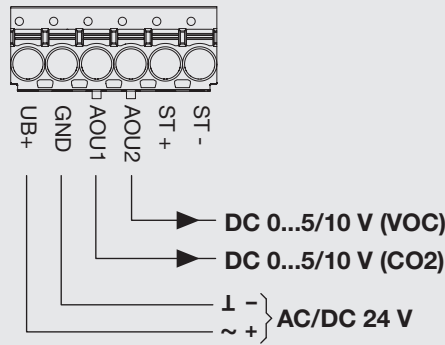
3 x 0...5/10 V



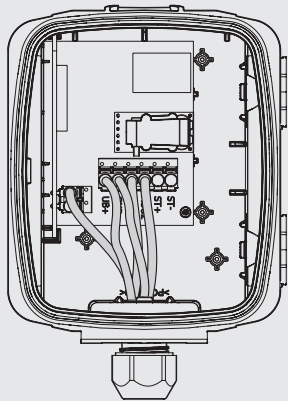
22DCV-11 / 22DCV-51



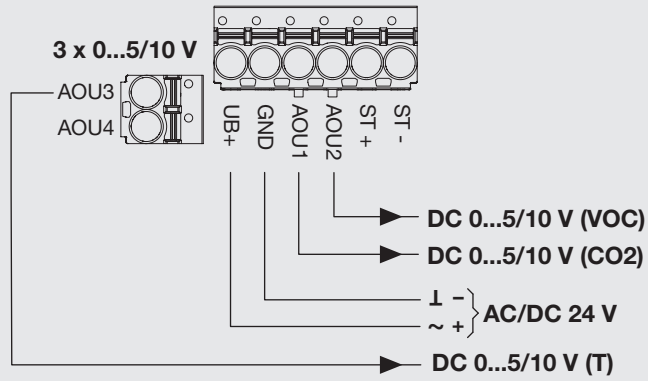
2 x DC 0...5/10 V



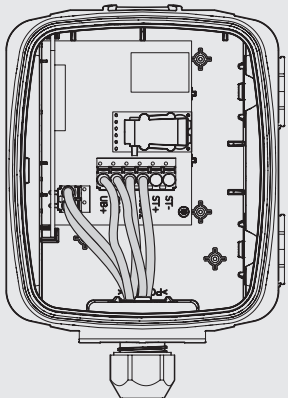
22DCM-11 / 22DCM-51



3 x 0...5/10 V



22DCK-11 / 22DCK-51



4 x 0...5/10 V

