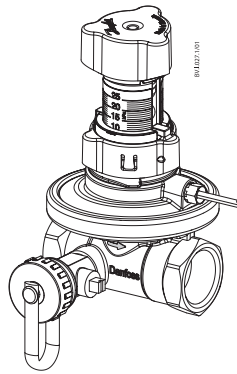
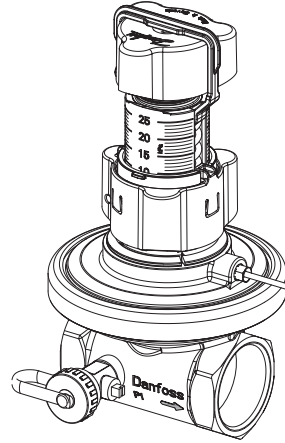


Operating Guide

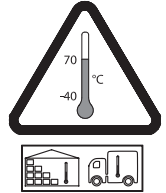
ASV-PV / DN 15-50 (4th gen.)



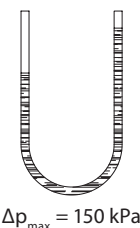
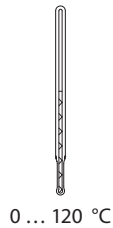
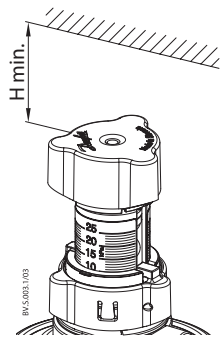
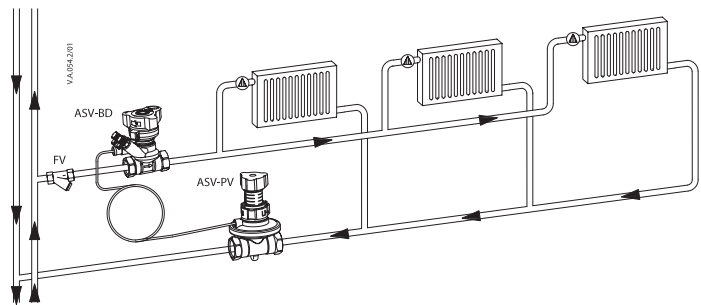
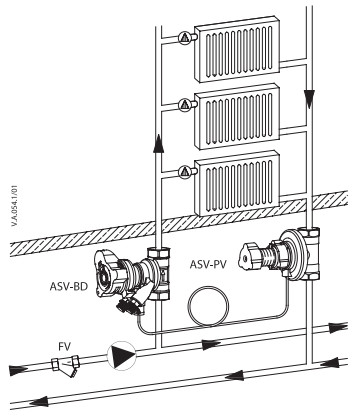
DN 15-25



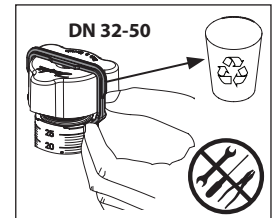
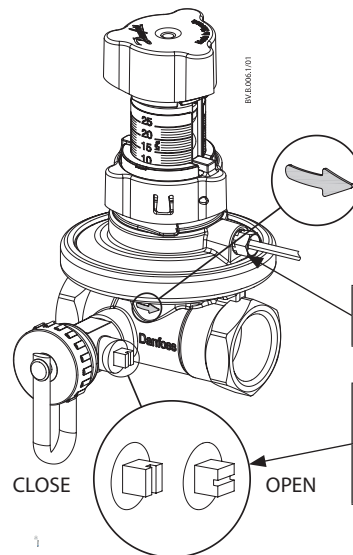
DN 32-50



Installation / Montering / Einbau / Installation / Installatie / Installation / Asennus / Montaż / Uzstādišana / Beépítés / MONTAJ / Монтаж / Instalace / 安装 / Vgradnja / Instalación / Montavimas



DN	H min.	Int. thread ISO 7/1	Ext. thread ISO 228/1
15	80	Rp 1/2	G3/4 A
20	80	Rp 3/4	G1 A
25	100	Rp 1	G1 1/4 A
32	150	Rp 1 1/4	G1 1/2 A
40	150	Rp 1 1/2	G1 3/4 A
50	150	Rp 2	G2 1/4 A

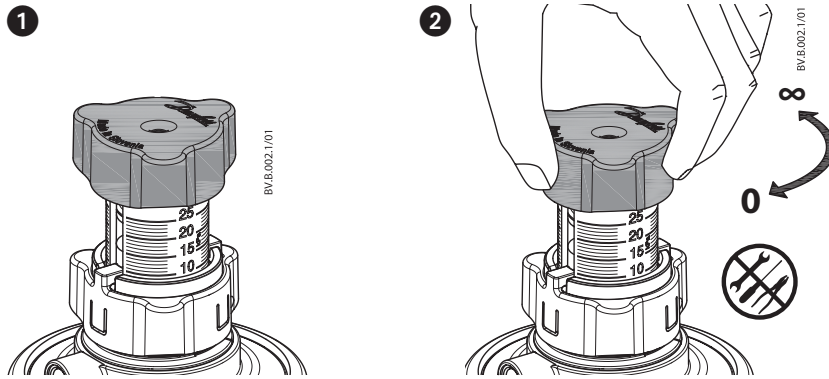


	5-8 Nm	<input type="checkbox"/>
	8 mm	<input type="checkbox"/>

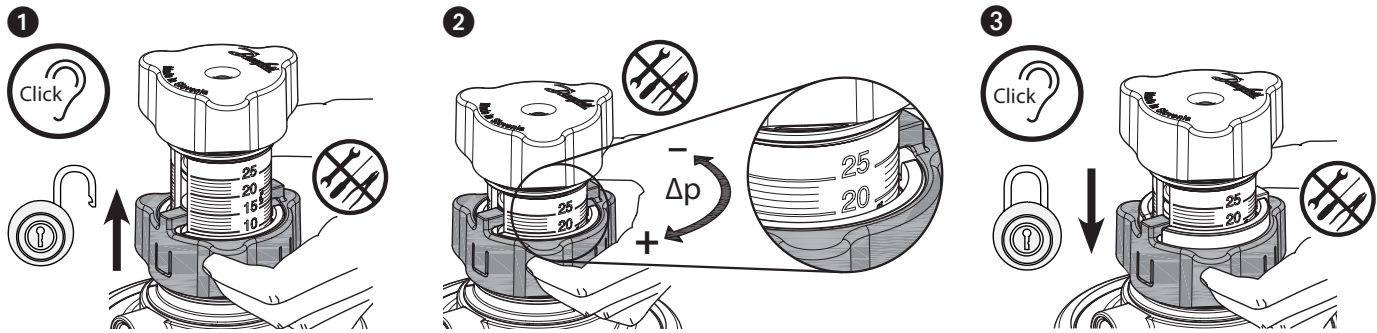
	5 mm	<input type="checkbox"/>
	3.5 - 4.5 mm × 0.7 mm	<input type="checkbox"/>

ASV-PV / DN 15-50 (4th gen.)

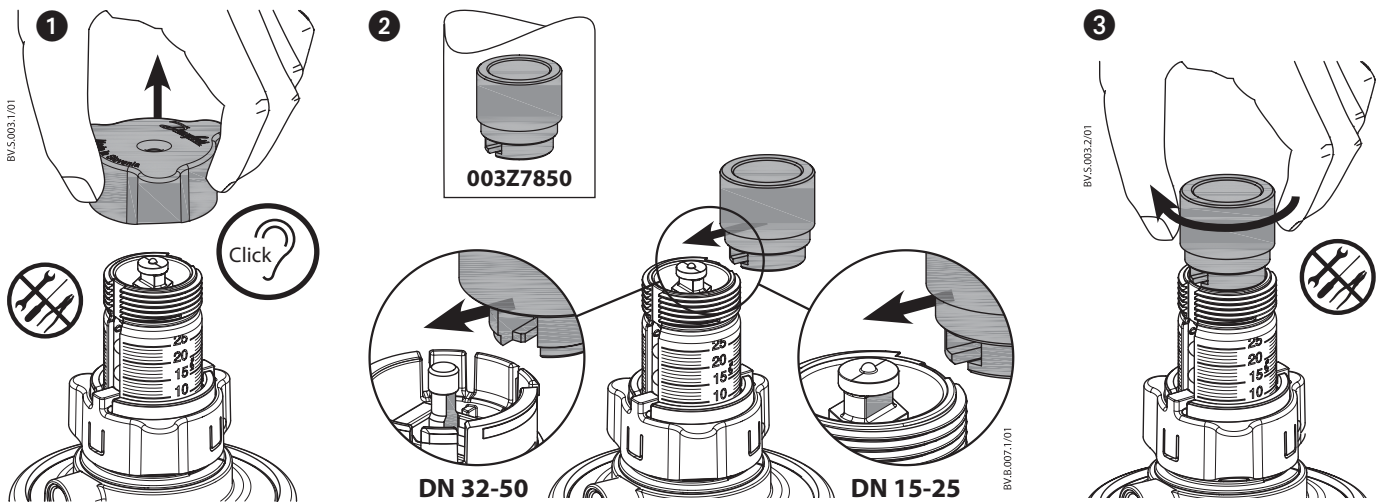
Shut off / Afspærring / Absperrung / Ferneture / Afsluiten / Avstängning / Sulkuventtiili / Funkcja odcięcia / Aizvēršana / Elzárás / КАРМА / Отключение / Uzavření / 关闭 / Zapiranje pretoka / Corte / Uždarymas



Setting / Indstilling / Einstellung / Réglage / Instelling / Inställning / Asettelu / Wykonywanie nastawy / Iestādījumi / Beállítás / АЯРЛАМА / Настройка / Nastavení / 设定 / Nastavitev / Ajuste / Nustatymas



Flushing / Skylning / Abspritzen / Rinçage / Spoelen / Spolning / Huhtelu / Płukanie / Piesarkums / Öblítés / Kızarma / Промывка / Proplachování / 清洗 / Inyección / Plovimo



Danfoss can accept no responsibility for possible errors in catalogues, brochures and other printed material. Danfoss reserves the right to alter its products without notice. This also applies to products already on order provided that such alterations can be made without consequential changes being necessary in specifications already agreed. All trademarks in this material are property of the respective companies. Danfoss and the Danfoss logotype are trademarks of Danfoss A/S. All rights reserved.