

# Little Giant<sup>®</sup>

Ladder Systems

**CLIMB ON<sup>™</sup>**

**S A F E T Y**  
**C A G E<sup>®</sup>**

## USER INSTRUCTIONS

**TYPE IAA 375 LBS [170 KG] SPECIAL DUTY RATED**

Congratulations on your purchase of the Little Giant<sup>®</sup> Safety CAGE<sup>®</sup> enclosed platform, which is a safer alternative to tying off while using a portable stepladder. These instructions will help you make the most of the Safety CAGE by learning how to use it safely. **Please do not ignore** the instructions, **study them!** If you have questions about how to operate your ladder system, please search our safety resources at [www.littlegiantladders.com/safetytoolbox](http://www.littlegiantladders.com/safetytoolbox), or call us before using your ladder system. Your safety and satisfaction is most important to us.

These instructions will show you how to setup, carry, and operate the Safety CAGE safely and efficiently. To learn more about the CAGE family of products and accessories, please visit our website or call our customer experience team.

Welcome to the Little Giant family!



Little Giant Ladders



@RealLittleGiant



LittleGiantLadderSystems



LittleGiantLadderSystems

Customer Care: 800-453-1192 or 801-489-3684 • Monday - Friday, 7am - 5pm MST  
Little Giant Ladder Systems • 1198 North Spring Creek Place • Springville, UT 84663 • USA  
[www.LittleGiantLadders.com](http://www.LittleGiantLadders.com)

# GENERAL OPERATING SAFETY TIPS

**DANGER:** Ladders and heights are inherently dangerous and may cause serious injury or death, heed the following safety precautions:

- 1) The Little Giant Safety Cage® meets ANSI Type IAA duty rating of 375 lbs [170 kg]. For your safety, do not exceed the weight limit.
- 2) Little Giant Ladder Systems® assumes no liability for damage or injury that may result from failing to follow all instructions correctly.
- 3) Keep clothing and body parts out of all moving mechanisms to avoid pinching.
- 4) Read all labels on the Safety Cage before use.

## PROPER SELECTION

1. Select Safety Cage of proper length to reach working height.
2. **IMPORTANT:** Safety Cage is designed to support one person plus materials and tools not more than the working load on the notice sign on this Safety Cage.

## INSPECTION

1. Inspect upon receipt and before each use. Never climb a damaged, bent or broken Safety Cage. All parts must be in good working order.
2. Make sure all rivets, joints, nuts and bolts are tight; steps, rungs, braces and platform are secure; platform hinge functions properly.
3. Keep Safety Cage clean, free from grease, oil, mud, snow, wet paint, and other slippery material. Keep your shoes clean; leather soles should not be used.
4. Never make temporary repairs of damaged or missing parts.
5. Destroy the Safety Cage and remove from service if broken, worn or if exposed to fire or chemical corrosion.

## PROPER SET-UP

1. **DANGER! METAL CONDUCTS ELECTRICITY!** Do not let the ladder come in contact with live electrical wires.
2. Make sure the Safety Cage is fully open and platform assembly is level and secure before climbing. Make sure the gates and toeboards are locked in their in-use positions before entering.
3. Place on firm level surface with a secure footing. Do not use on slippery surfaces. Do not place on boxes, unstable bases, or scaffolds, or tie or fasten ladders together to gain additional height. Do not place in front of door opening toward Safety Cage.
4. If equipped with casters, lock in proper position before climbing.
5. If equipped with outriggers, position per manufacturer's instructions before climbing.
6. Where possible, use a second person to hold the Safety Cage.
7. Follow all applicable local and federal safety codes and regulations.

## PROPER CLIMBING AND USE

1. Do not use the Safety Cage if you tire easily, or are subject to fainting spells, or are using drugs, medicine or alcohol or are physically impaired.
2. To protect children, do not leave the Safety Cage set up and unattended.
3. Face the Safety Cage when climbing up or down; keep body centered between side rails.
4. Maintain a firm grip. Use both hands in climbing.
5. Never climb the Safety Cage from the side unless it is secured against side-wise motion, or climb from one ladder to another.
6. Do not over-reach, move the Safety Cage when necessary.
7. Do not “shift” “walk” or “jog” the Safety Cage.
8. Do not stand, climb, or sit on braces, gates, back section, or any surface higher than the platform.
9. Do not overload. The Safety Cage is meant for one person. Do not use as a brace, platform, hoist or plank.
10. Keep the Safety Cage close to work; avoid pushing or pulling off to the side of the Safety Cage.
11. Do not use the Safety Cage in high winds or storms.
12. Never drop or apply an impact load to the Safety Cage.
13. Use extreme caution getting on and off the Safety Cage.

## PROPER CARE AND STORAGE

1. Store the Safety Cage in safe and dry place.
2. Properly secure and support the Safety Cage while in transit.
3. Never store materials on the Safety Cage.
4. Keep the Safety Cage clean and free of all foreign materials.



ALI MEMBER

For additional safety training visit

[www.laddersafety.org](http://www.laddersafety.org)

SCAN THE CODE TO VIEW  
INSTRUCTION & SAFETY VIDEO



FREE QR READER DOWNLOAD  
AT YOUR APP STORE

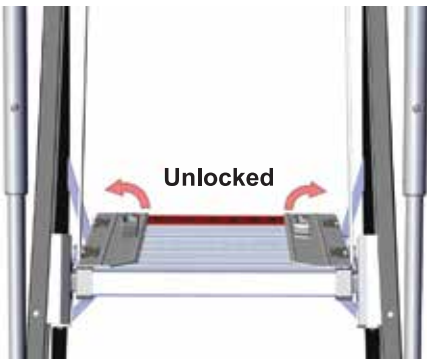
## Register Your Warranty

Your Little Giant Safety Cage is offered with a limited one-year warranty against manufacturer defects. Register your warranty within 30 days after receipt of the product. You may register your product by going online to [www.LittleGiantLadders.com/registration](http://www.LittleGiantLadders.com/registration) or by completely filling out the warranty card and mailing it in.

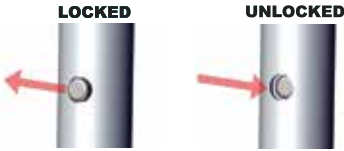
# SET UP (IN-USE) POSITION:



**To Open:** Open the Safety Cage from the side by lowering the midspan bar first and then separating the front and rear rails. As the rails move apart, the platform and midspan bar will begin to lower. Open until the platform rests securely on the horizontal support on the rear half.



**Lock Platform Toeboards Before Climbing:** Rotate Toeboards up and outward until they snap and lock into place.



Press buttons and raise gates



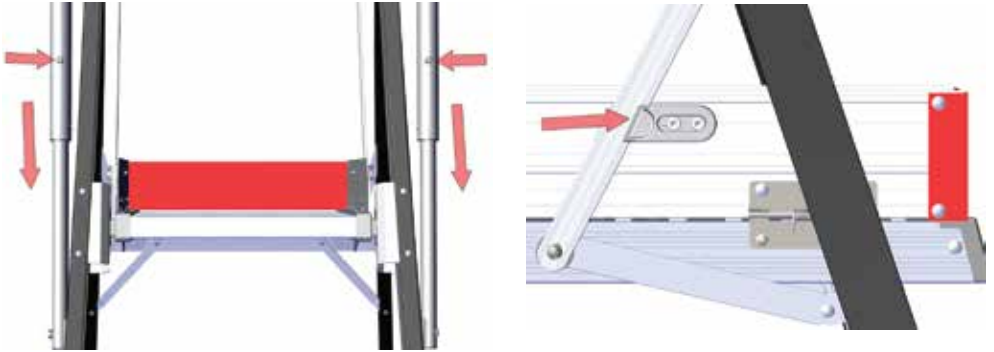
Locked  
In-use  
Position



**Set Gates to In-Use Position:** Press in push buttons and raise gates until they lock into place before entering the platform. Make sure gates are securely locked into position before entering the platform.

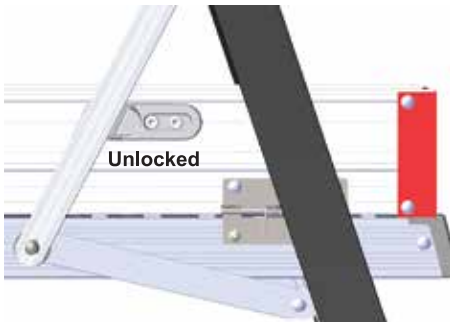


## RETURN TO STORAGE POSITION:

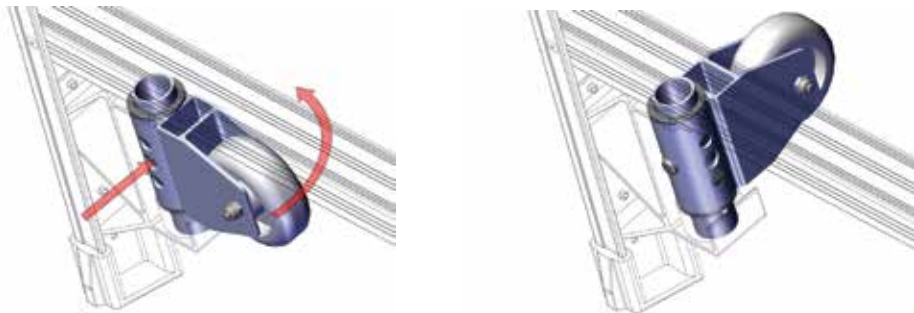


**To Return to Storage Position:** Stand at the front of the Safety Cage, and press in the push buttons to lower the gates to their stored position. Then, slide the Toeboard locks back until they clear the brace, then fold and store the Toeboards on the platform. Close the Safety Cage by lifting the rear of the platform and bringing the front and rear rails together.

**\*NOTE:** Toeboards must be down before the Cage will transition into storage position.



## TRANSPORT THE SAFETY CAGE:



**To Engage the Tip & Glide™ Wheels:** Press in the push buttons on the backs of the wheel assemblies and rotate the wheels outward until they lock into the in-use position.



**To Wheel the Safety Cage:** With the Safety Cage in its storage position, tilt the Safety Cage towards the ground, holding it by the top guardrail, until the wheels contact the ground.

# GETTING TO KNOW YOUR SAFETY CAGE



Note: Models 6' and above have an additional spreader bar below the platform.