

Product Catalog



BOXI

by *semihandmade*

[BOXIBYSEMIHANDMADE.COM](https://boxbysemihandmade.com)

03 DOOR STYLES

- 04 | Shaker
- 05 | Slab
- 06 | Woodgrain
- 07 | Edge

08 CABINET CONSTRUCTION

09 CABINET SELECTION

- 10 | Base
- 17 | Wall
- 21 | Tall
- 27 | Vanities

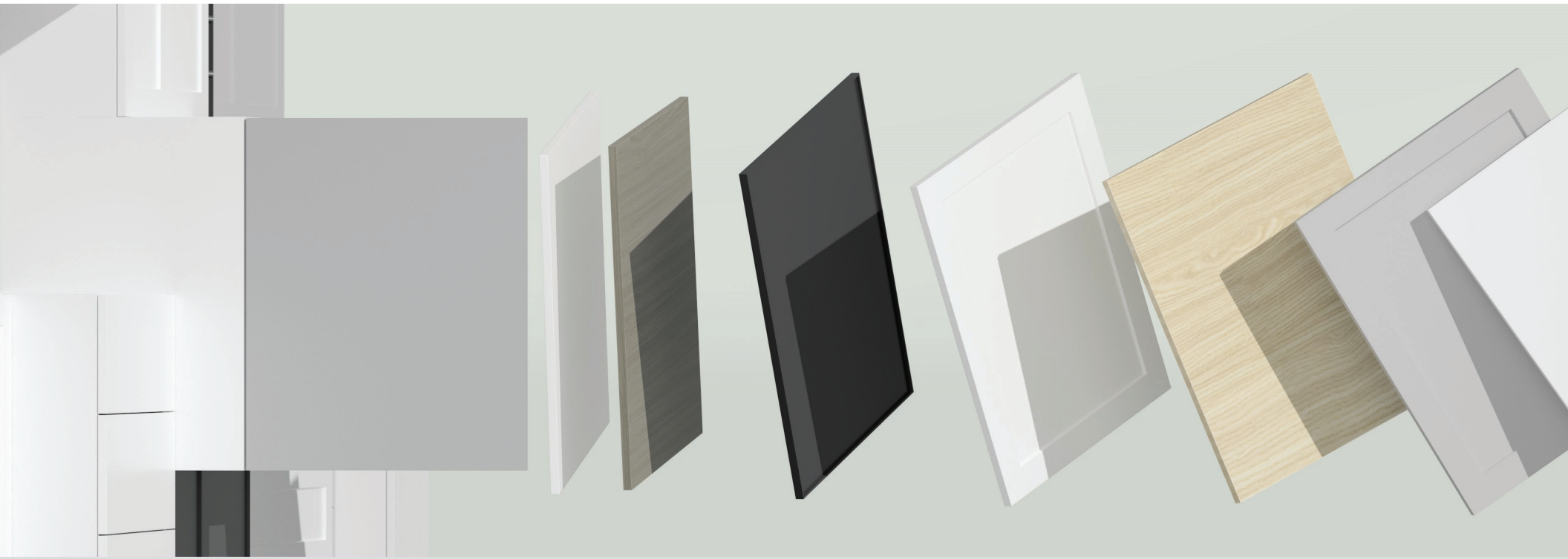
30 ACCESSORIES

- 31 | Panels
- 33 | Filler/Trim/Toe-kick
- 34 | Moldings



Door Styles

- BOXI doors are comprised of laminates and PET bonded to a furniture board or MDF substrate.
- PET is made entirely from recycled water bottles. About 25 bottles are reused to create one medium sized door. The door substrate is made with recycled content and compliant with TSCA Title VI.
- PET and laminate surfaces are susceptible to minor delamination when adjacent to severe heat sources such as self-cleaning ovens and direct sunlight.



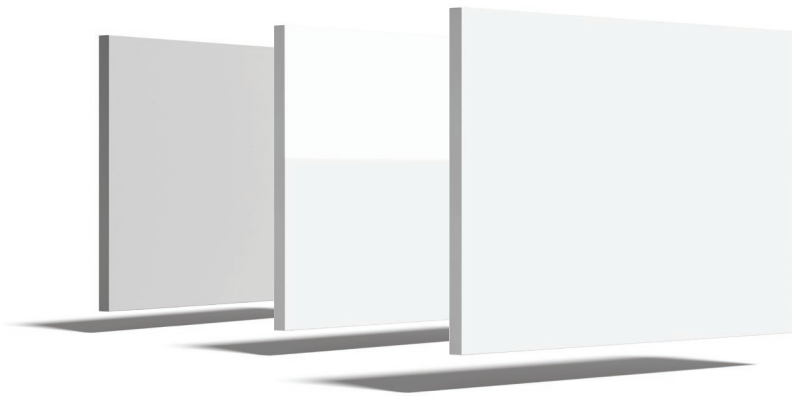
Shaker

- 2-1/2" stile and rail
- Matte finish in Salt or Mushroom
- Surface layer is PET
- Laminate matching back
- All parts less than 5" tall are Slab style



Slab

- Matte finish in Salt, and Mushroom, Gloss finish in Ice
- Surface layer is PET
- Laminate matching back



Woodgrain

- Oat or Rye
- Slab style panel
- Laminate matching back
- Horizontal grain pattern on doors/drawers, vertical grain pattern on most panels/trim

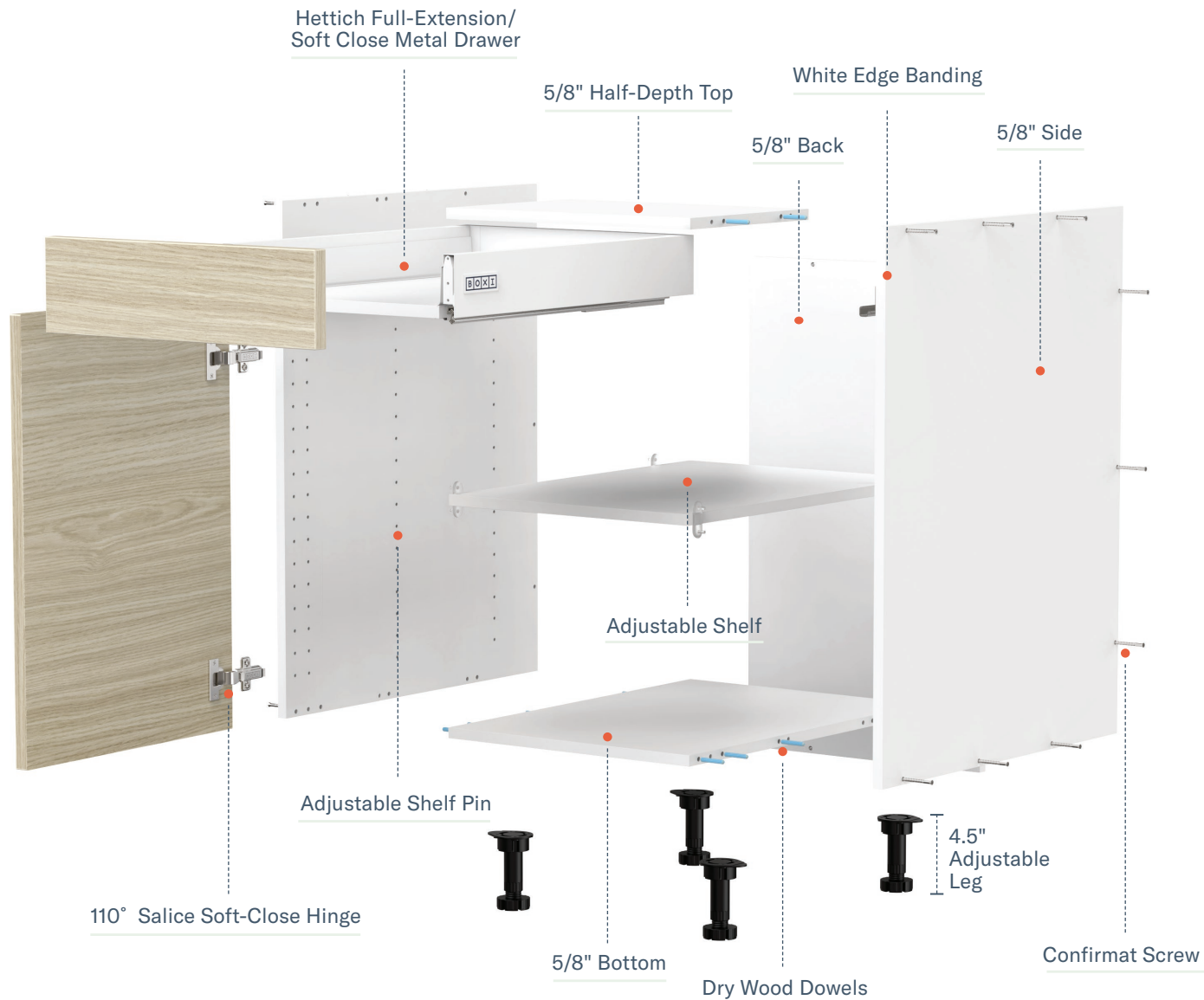


Edge

- 'Slim Shaker' style profile
- 1/4" stile and rail
- Matte finish in Peppercorn
- Laminate matching back



Cabinet Construction

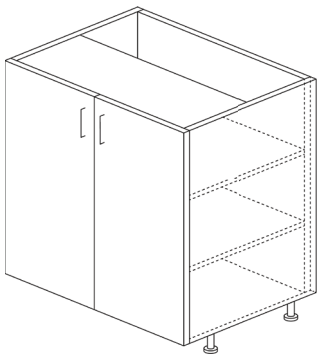


Cabinet Selection



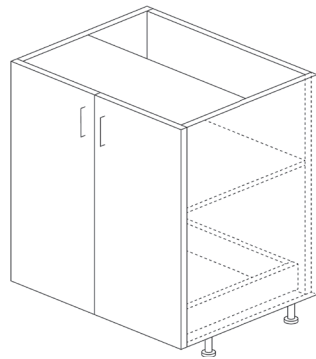
Base Cabinets

Shelves/Roll-outs



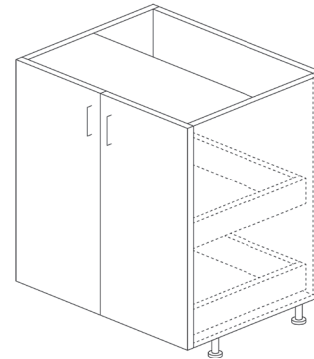
ADJUSTABLE SHELVES

- 9", 12", 15", 18", 21", 24", 27", 30", 33", 36" wide
- 25" deep with door
- Two adjustable shelves



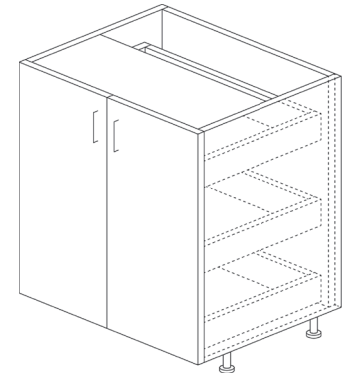
ONE ROLL-OUT

- 12", 15", 18", 21", 24", 27", 30", 33", 36" wide
- 25" deep with door
- One adjustable shelf
- One roll-out



TWO ROLL-OUTS

- 12", 15", 18", 21", 24", 27", 30", 33", 36" wide
- 25" deep with door
- Two roll-outs



THREE ROLL-OUTS

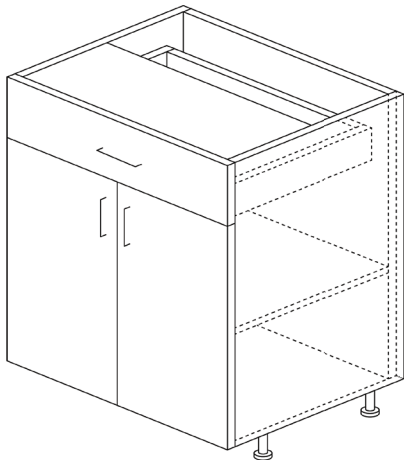
- 12", 15", 18", 21", 24", 27", 30", 33", 36" wide
- 25" deep with door
- Three roll-outs



■ 9"-21" widths have one door

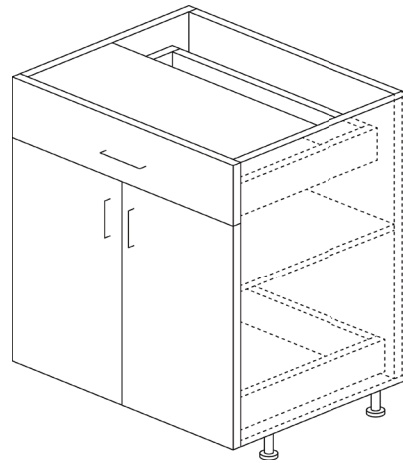
Base Cabinets

Drawers/Roll-outs



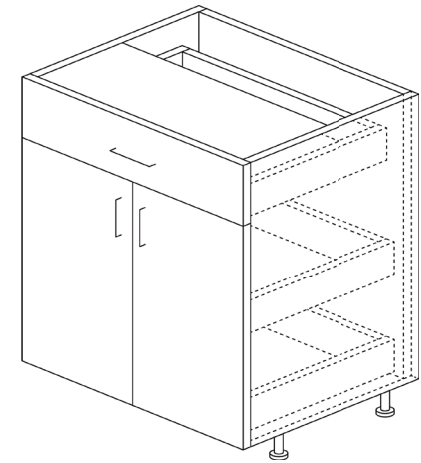
ONE DRAWER

- 12", 15", 18", 21", 24", 30", 36" wide
- 25" deep with door
- One adjustable shelf
- One roll-out



ONE DRAWER, ONE ROLL-OUT

- 12", 15", 18", 21", 24", 30", 36" wide
- 25" deep with door
- One adjustable shelf
- One roll-out
- One drawer



ONE DRAWER, TWO ROLL-OUTS

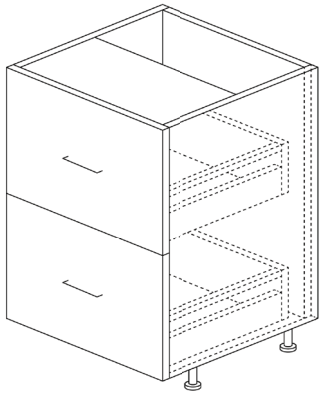
- 12", 15", 18", 21", 24", 30", 36" wide
- 25" deep with door
- Two roll-outs
- One drawer



■ 12"-21" widths have one door

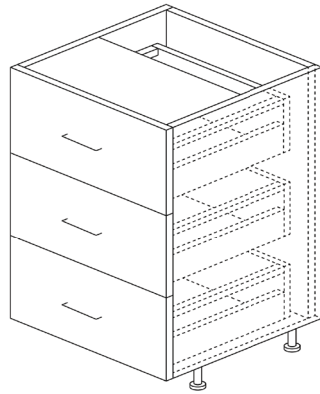
Base Cabinets

Drawers



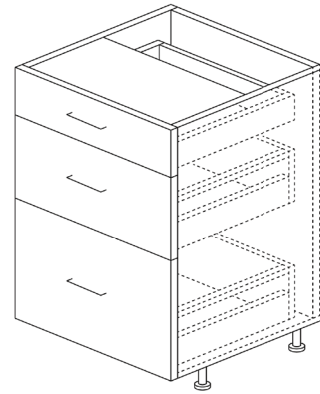
TWO DRAWERS

- 24", 30", 36" wide
- 25" deep with door



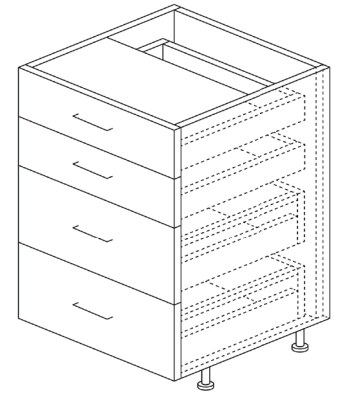
THREE DRAWERS

- 12", 15", 18", 21", 24",
30", 36" wide
- 25" deep with door



THREE DRAWERS

- 24", 30", 36" wide
- 25" deep with door



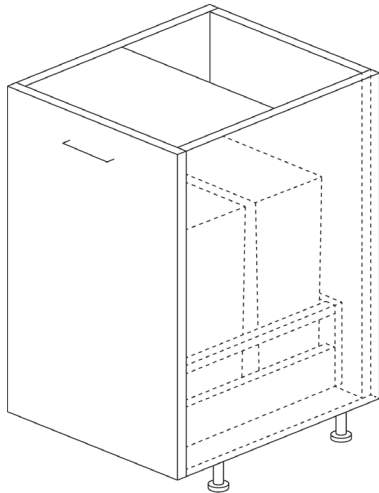
FOUR DRAWERS

- 12", 15", 18", 21", 24",
30", 36" wide
- 25" deep with door



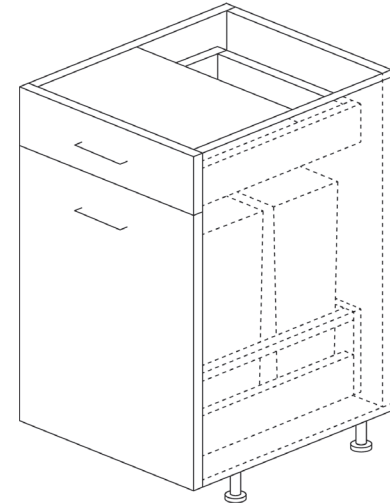
Base Cabinets

Recycle



RECYCLE ONE DOOR

- 15", 18" wide
- 25" deep with door
- Two bins

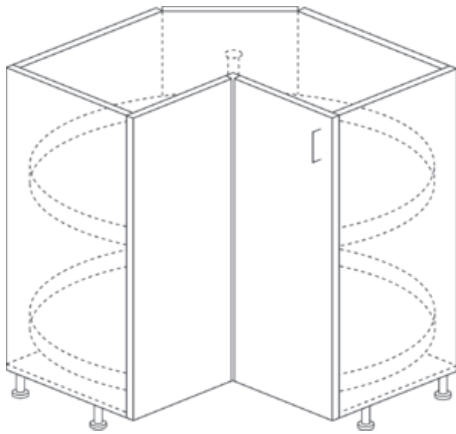


RECYCLE ONE DOOR, ONE DRAWER

- 15", 18" wide
- 25" deep with door
- Two bins
- One drawer

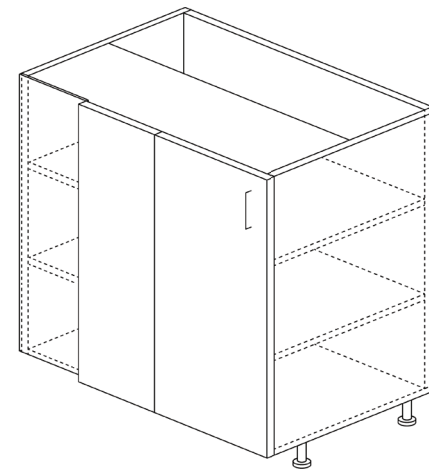
Base Cabinets

Corner



LAZY SUSAN TWO DOORS

- 36" x 36" wide
- 23" deep with door
- Two white trays mounted to a chrome post



BLIND CORNER ONE DOOR WITH FILLER

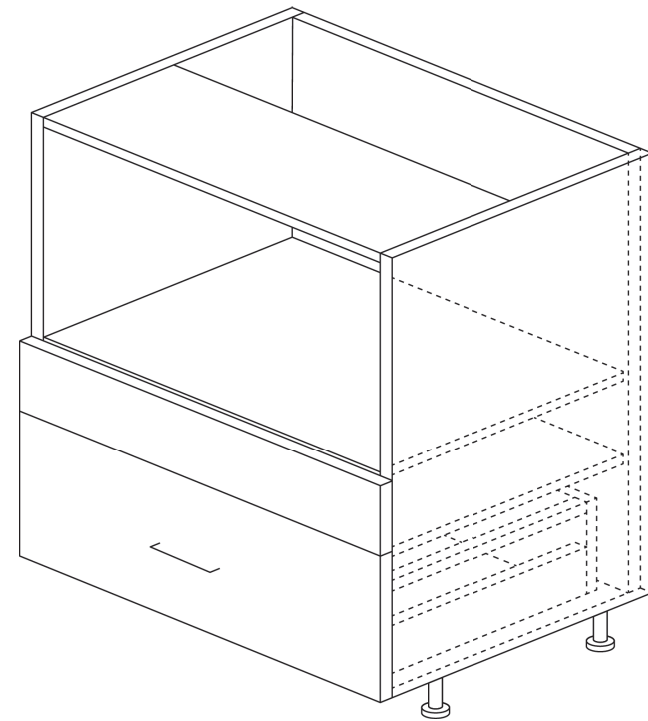
- 39", 42", 45", 48" wide
- 25" deep with door
- Two adjustable shelves
- Note: cabinet will always be 36" wide, the void behind the cabinet changes.

Base Cabinets

Microwave

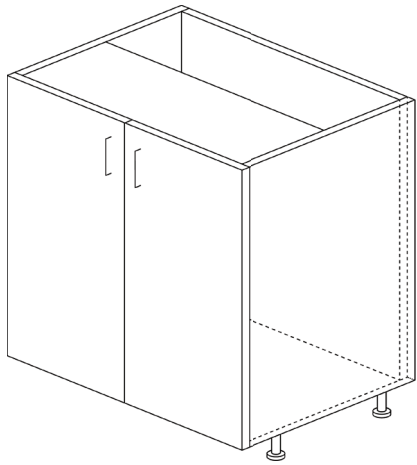
BASE MICROWAVE WITH DRAWER

- 24", 30" wide
- 25" deep with door
- Designed for use with trim kits or drawer applications
- One drawer with filler
- Onsite cutting required



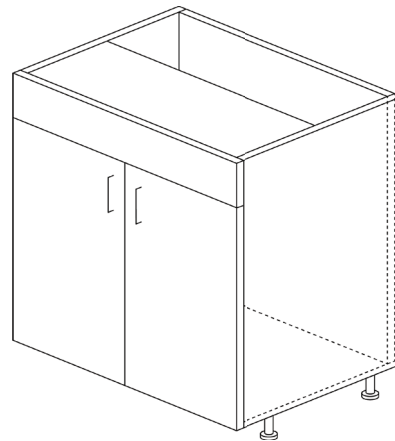
Base Cabinets

Sink



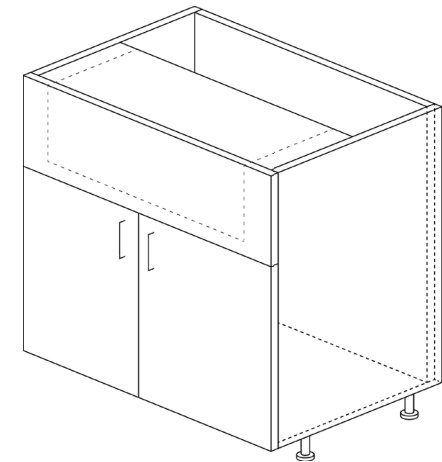
TWO DOORS

- 24", 27", 30", 33", 36" wide
- 25" deep with door



TWO DOORS, FALSE FRONT

- 24", 30", 36" wide
- 25" deep with door
- 5" false front



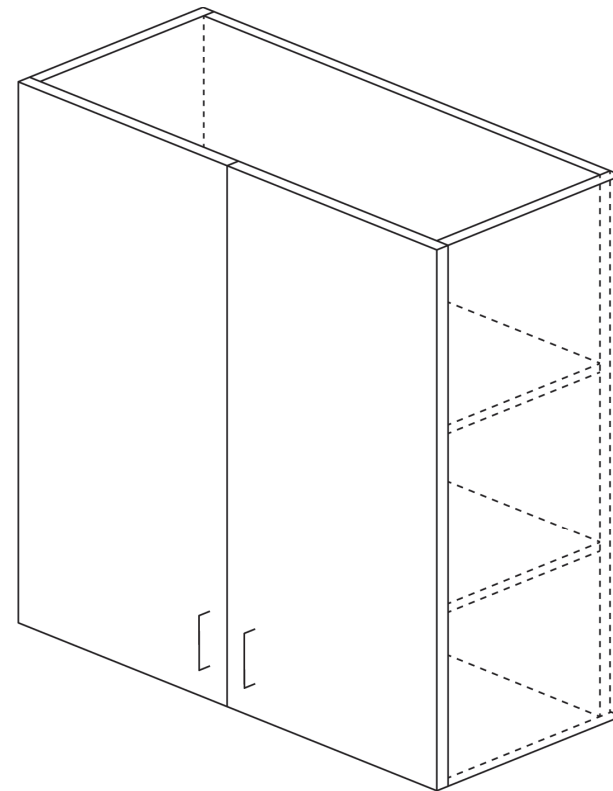
BASE SINK WITH APRON FRONT

- 30", 36" wide
- 25" deep with door
- Also designed for farmhouse sinks
- 10" false front is optional

Wall Cabinets

ONE OR TWO DOORS

- 15", 20", 25" high
- 30" or 36" wide
- 13" deep with door
- No shelf on 15" high
- 30" high
- 9", 12", 15", 18", 21", 24", 27", 30", 33", 36" wide
- 13" deep with door
- Two adjustable shelves
- 40" high
- 9", 12", 15", 18", 21", 24", 27", 30", 33", 36" wide
- 13" deep with door
- Two adjustable shelves



■ 9"-21" widths have one door

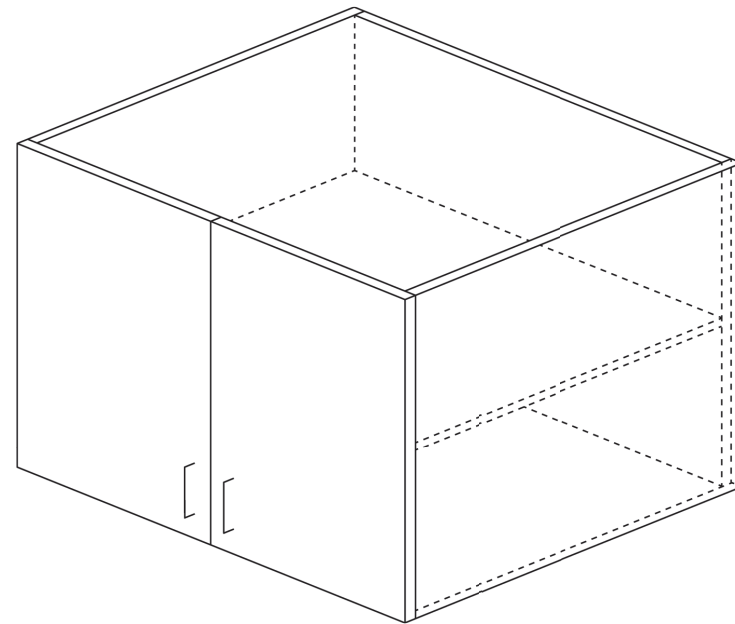


Wall Cabinets

WALL (24" deep)

- 15" high
- 30", 36" wide
- 25" deep with door
- No shelf

- 20" high
- 30", 36" wide
- 25" deep with door
- One adjustable shelf

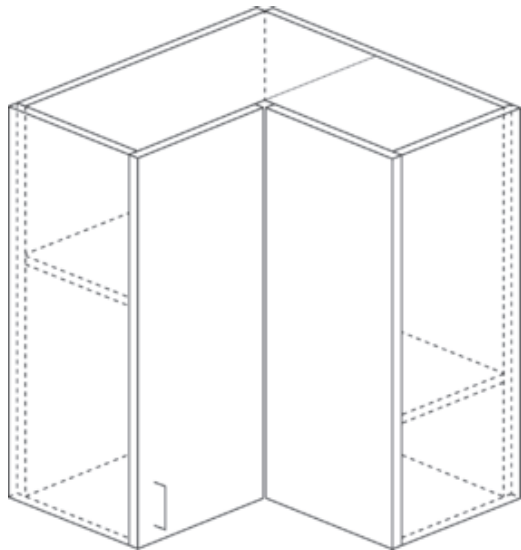


■ 9"-21" widths have one door



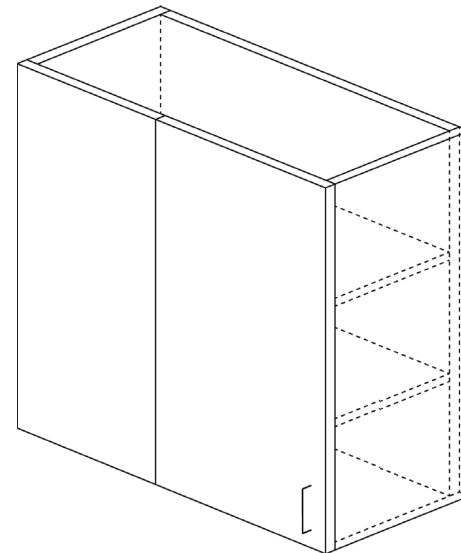
Wall Cabinets

Corner



SQUARE CORNER

- 30" or 40" high
- 24" x 24" wide
- 13" deep with door
- Doors are attached
- Two shelves

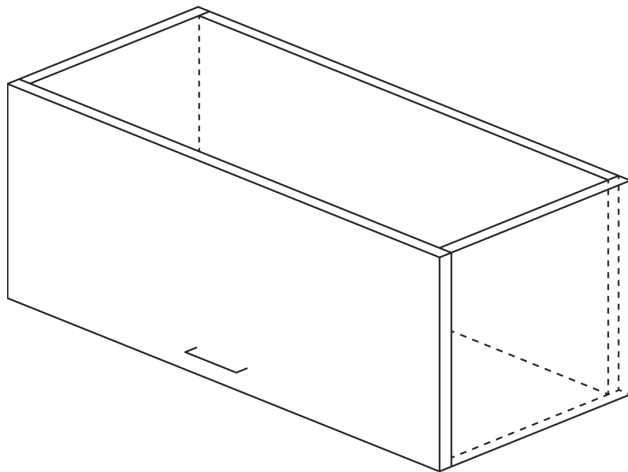


BLIND CORNER

- 30" or 40" high
- 27", 30", 33", 36" wide
- 13" deep with door
- One door with filler
- Two shelves

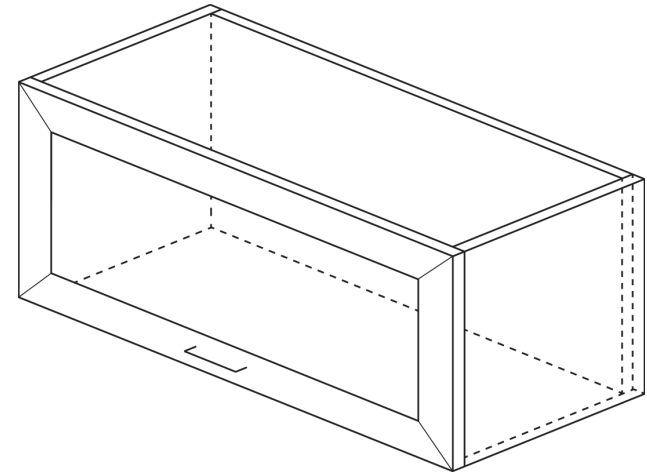
Wall Cabinets

Tilt-up door



TILT-UP DOOR

- 10" or 15" high
- 30" or 36" wide
- 13" deep with door
- No shelves



METAL FRAME TILT-UP DOOR

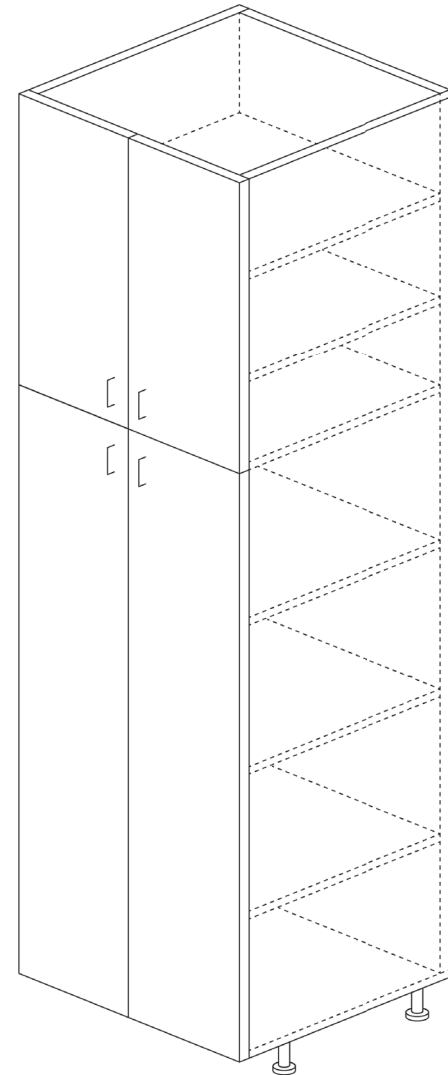
- 10" or 15" high:
- 30" or 36" wide
- 13" deep with door
- Metal frame has 2-1/4" stiles and rails
- No shelf

Tall Cabinets

Pantry/shelves

PANTRY CABINET

- 84 ½" or 94 ½" high
- 15", 18", 24", 30", 36" wide
- 25" deep with door
- Four or five shelves



■ 15", 18" widths have one door

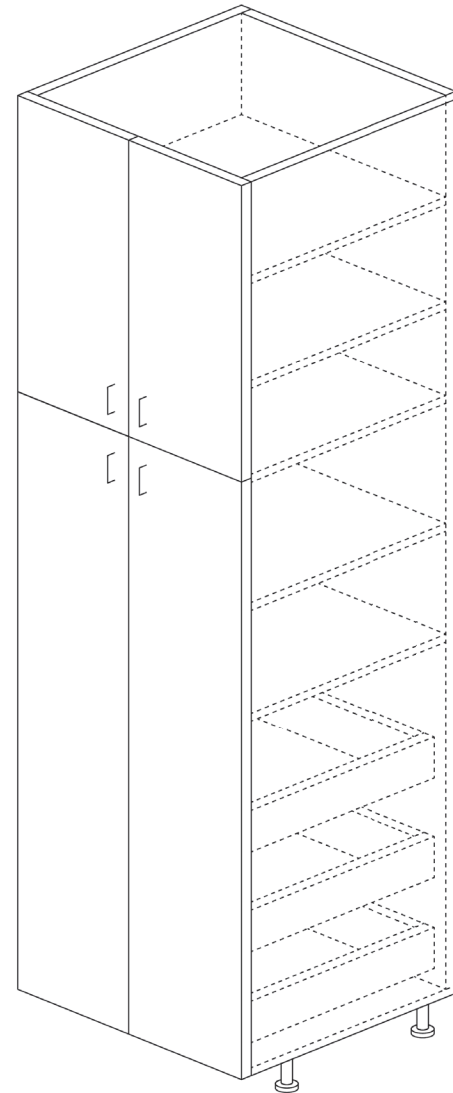


Tall Cabinets

Pantry/roll-outs

PANTRY CABINET THREE ROLL-OUTS

- 84 ½" or 94 ½" high
- 15", 18", 24", 30", 36" wide
- 25" deep with door
- Three or four shelves
- Three roll-outs



■ 15", 18" widths have one door

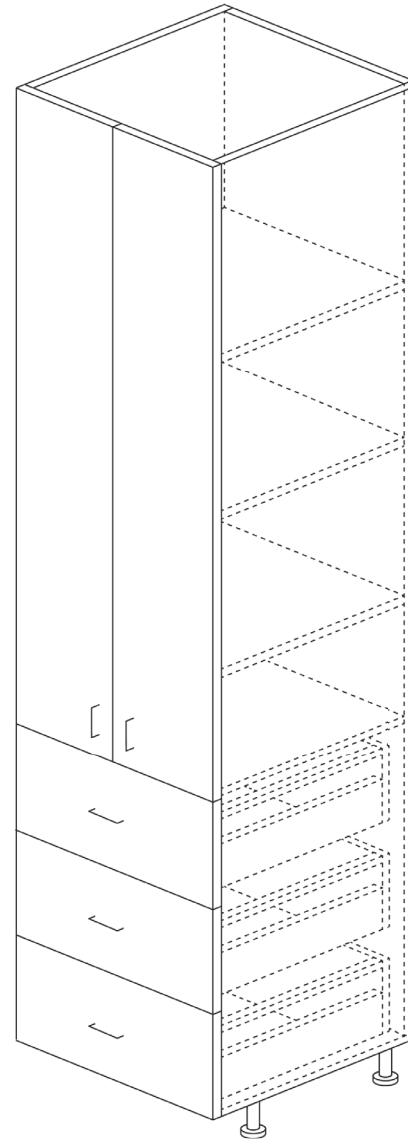


Tall Cabinets

Pantry/drawers

PANTRY CABINET THREE DRAWERS

- 84 ½" or 94 ½" high
- 30" wide only
- 25" deep with door
- Four or five shelves

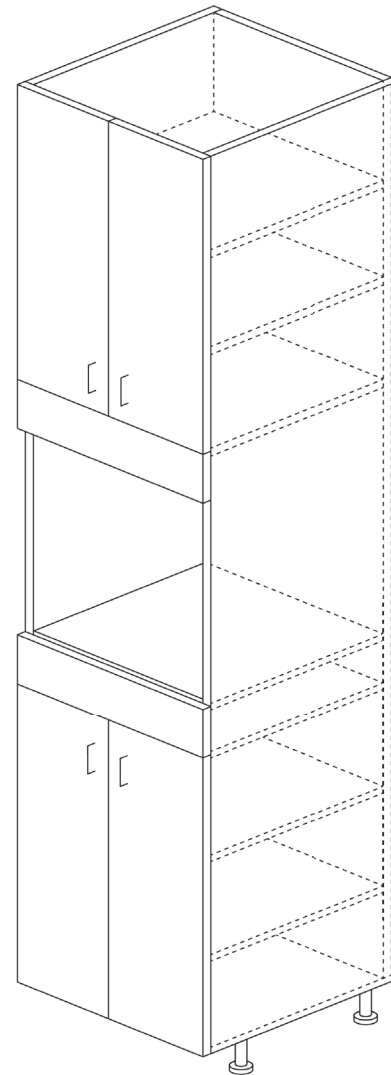


Tall Cabinets

Single oven/doors

SINGLE OVEN

- 84 ½" or 94 ½" high
- 30" wide only
- 25" deep with door
- Four or five shelves with trim
- Oven opening height is 15" - 30" depending on appliance
- Onsite cutting required

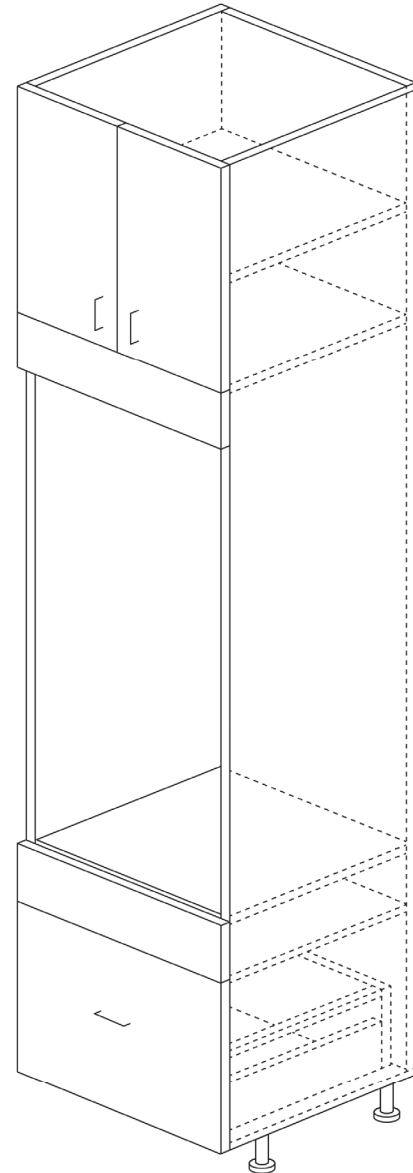


Tall Cabinets

Double oven/drawer

DOUBLE OVEN

- 84 ½" or 94 ½" high
- 30" wide only
- 25" deep with door
- Top tilt-up door on 84 ½" cabinet only
- One drawer
- Oven opening height is 40"- 55" depending on appliance
- Onsite cutting required
- Trim is an additional cost

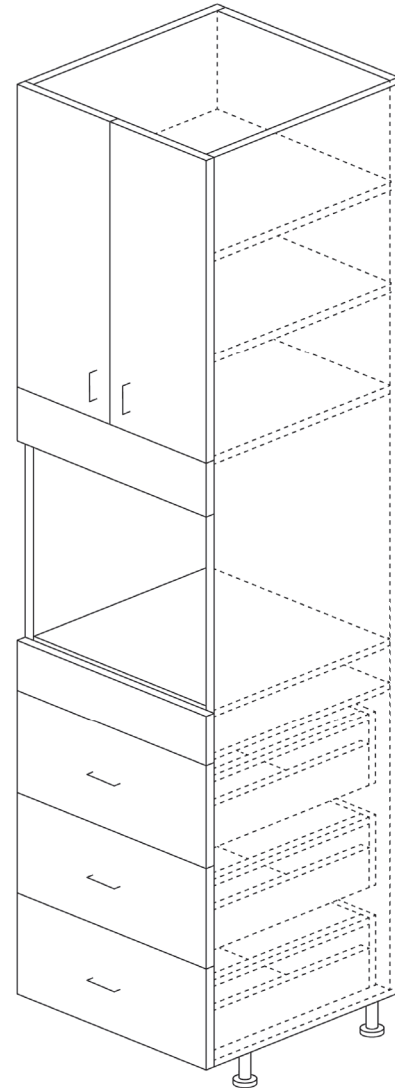


Tall Cabinets

Single oven/drawers

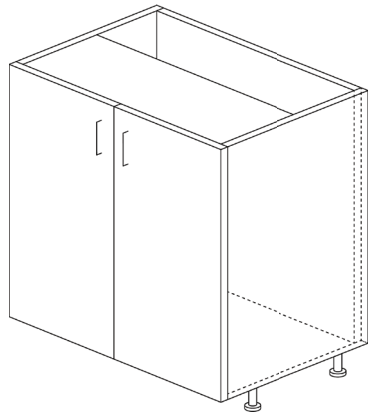
SINGLE OVEN THREE DRAWERS

- 84 ½" or 94 ½" high
- 30" wide
- 25" deep with door
- One or two shelves
- Three drawers
- Oven opening height is 15" - 30" depending on appliance
- Onsite cutting will be required
- Trim is an additional cost



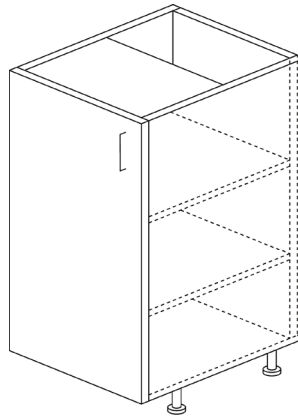
Vanity Cabinets

Door/drawer



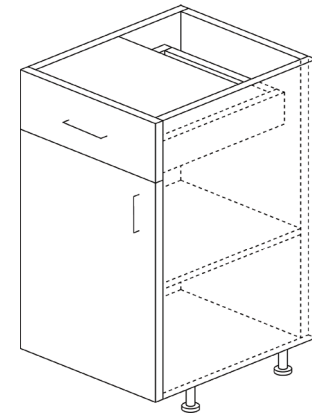
HIGH VANITY

- 18", 24", 27", 30", 33", 36" wide
- One or two doors
- 22" deep with door
- 34 ½" high with levelers



HIGH VANITY, SHELVES

- 12", 15", 18", 21" wide
- One door
- 22" deep with door
- 34 ½" high with leg levelers
- 2 adjustable shelves



HIGH VANITY, DRAWER

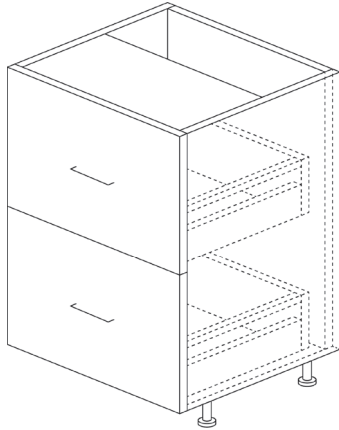
- 12", 15", 18", 21" wide
- One door
- 22" deep with door
- 34 ½" high with leg levelers
- One drawer
- One adjustable shelf



■ 12"-21" widths have one door

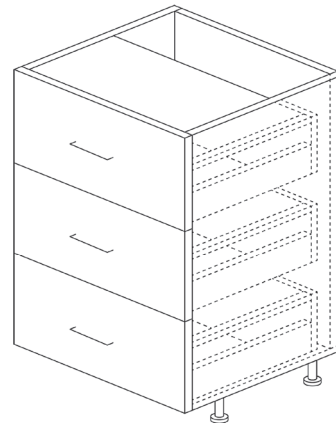
Vanity Cabinets

Drawers



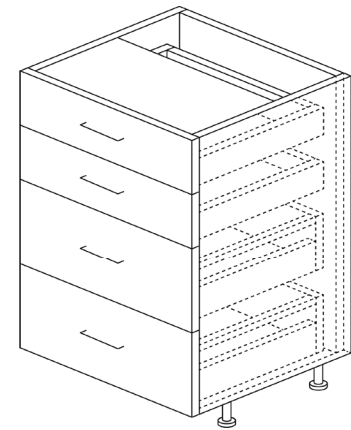
HIGH VANITY, TWO DRAWERS

- 24", 30", 36" wide
- Two drawers
- 22" deep with door
- 34 ½" high with leg levelers



HIGH VANITY, THREE DRAWERS

- 12", 15", 18", 21", 24", 30", 36" wide
- Three drawers
- 22" deep with door
- 34 ½" high with leg levelers

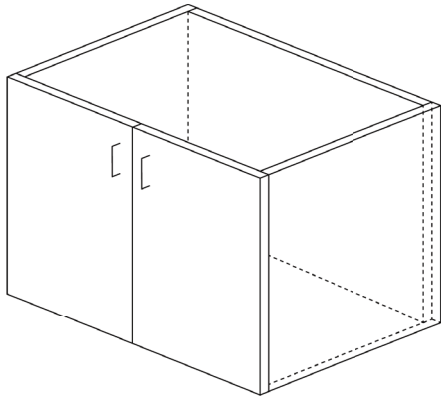


HIGH VANITY, FOUR DRAWERS

- 12", 15", 18", 21", 24", 30", 36" wide
- Four drawers
- 22" deep with door
- 34 ½" high with leg levelers
- Not recommended for drop-in sinks

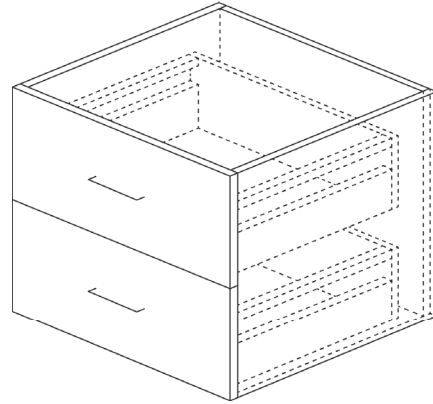
Vanity Cabinets

Floating



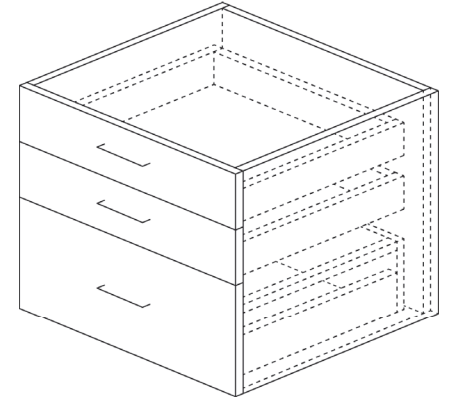
WALL HUNG SINK, DOORS

- 18", 24", 30", 36" wide
- One or two doors
- 22" deep with door
- 20" high
- No shelves



WALL HUNG, TWO DRAWERS

- 12", 15", 18", 21", 24", 30", 36" wide
- 22" deep with door
- 20" high
- Two drawers
- Not recommended for drop-in sinks



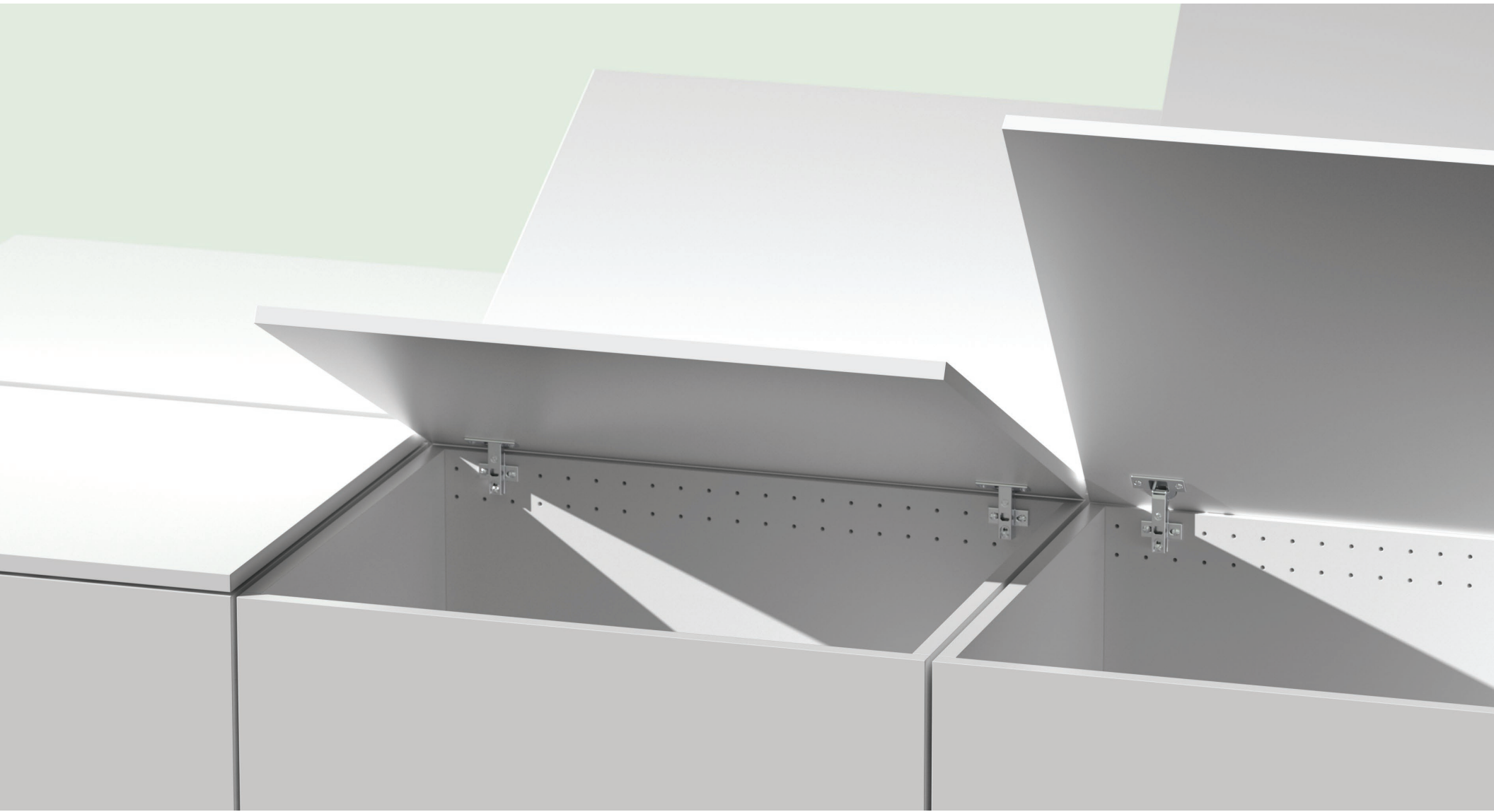
WALL HUNG, THREE DRAWERS

- 12", 15", 18", 21", 24", 30", 36" wide
- 22" deep with door
- 20" high
- Three drawers
- Not recommended for drop-in sinks



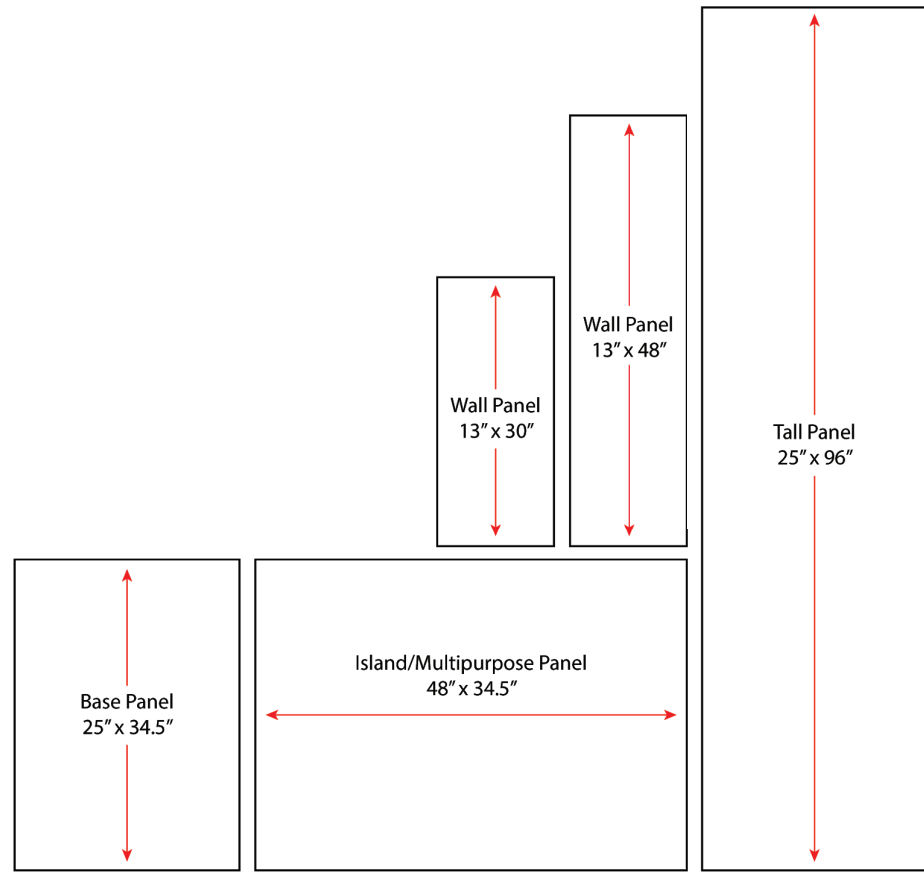
■ 18" wide sink has one door

Accessories



Panels

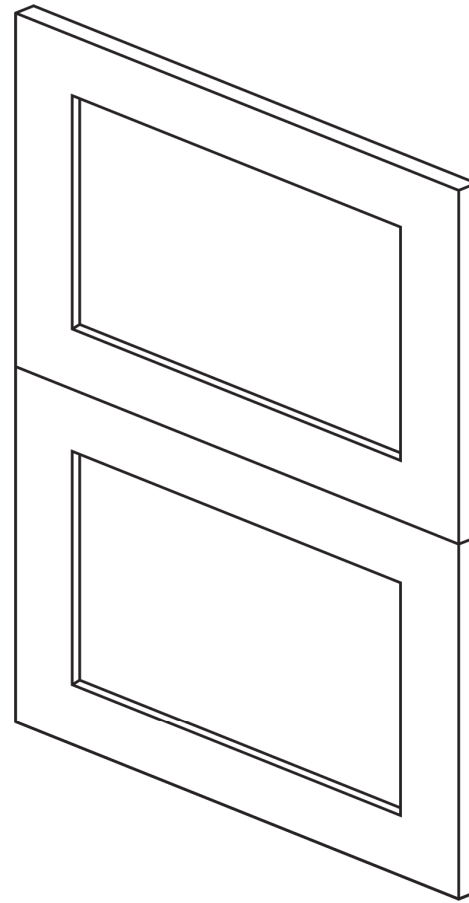
- Panel thickness 1/2"
- Panels should only be installed using provided screws
- Oat and Rye panels run vertically
- Back of panel matches door style



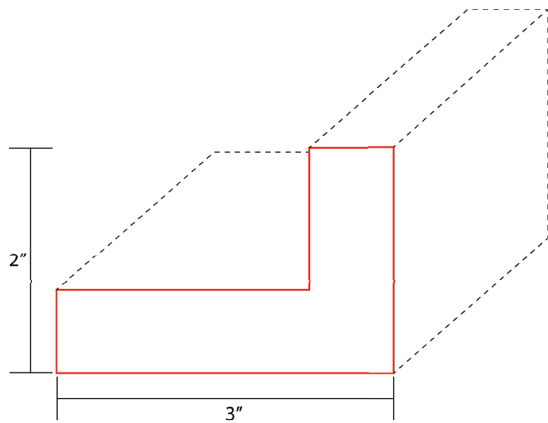
Appliance Panel

DISWASHER TWO-PIECE PANEL

- 24" x 30"
- Fits most panel-ready dishwashers

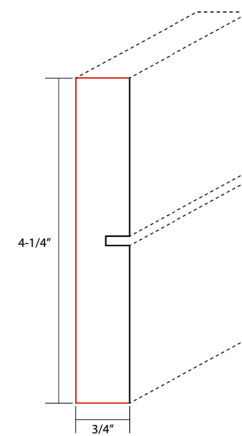


Filler/Trim/Toe-Kick



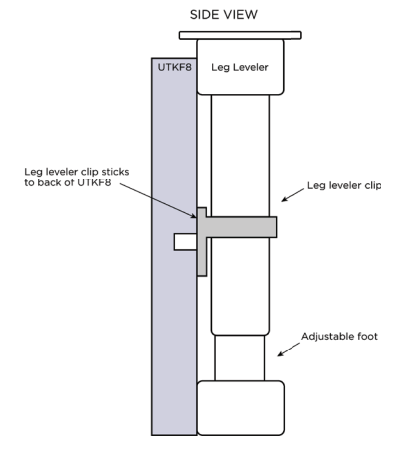
FILLER

- 2" x 3" x 3/4" x 96"
- This is a universal filler, light rail, or crown build up
- Salt, Ice, Mushroom, Peppercorn, Oat, and Rye
- Meant to be installed flush with face of cabinet

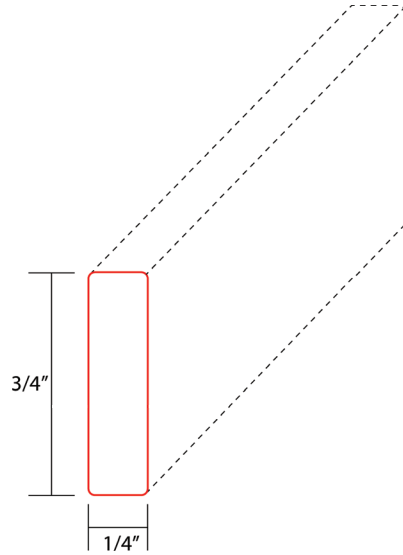


TRIM/TOE-KICK/FILLER

- 4-1/4" x 96" x 3/4"
- Salt, Ice, Mushroom, Peppercorn, Oat, and Rye
- Back of filler is unfinished core material

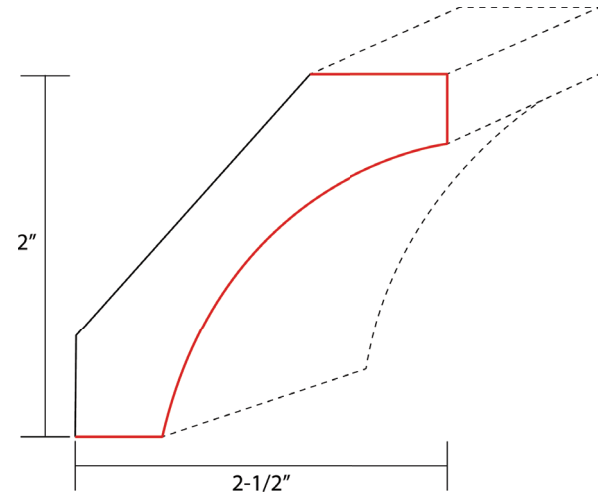


Moldings



SCRIBE MOLDING

- 3/4" x 1/4" x 96"
- Salt, Ice, Mushroom, Peppercorn, Oat, and Rye.



COVE CROWN MOLDING

- 2-1/2" x 2" x 96"
- Salt or Mushroom only
- Can be used on either 2-1/2" or 2" rise

Home Space Made Simple



BOXI

by *semihandmade*



BOXIBYSEMIHANDMADE.COM