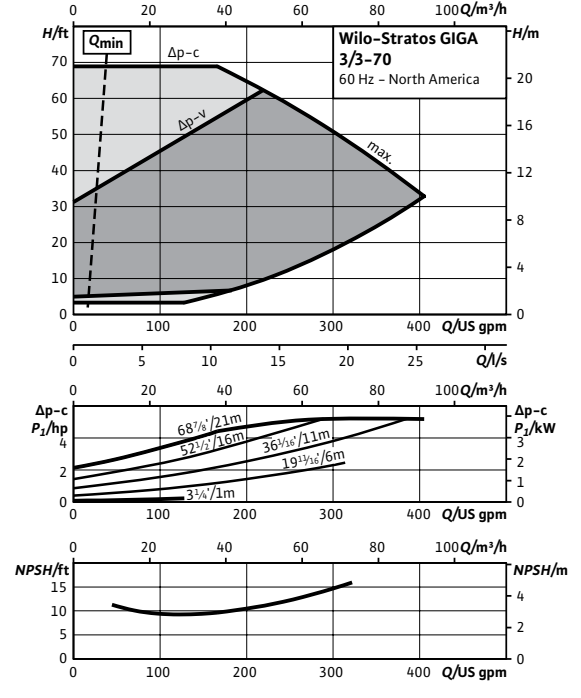
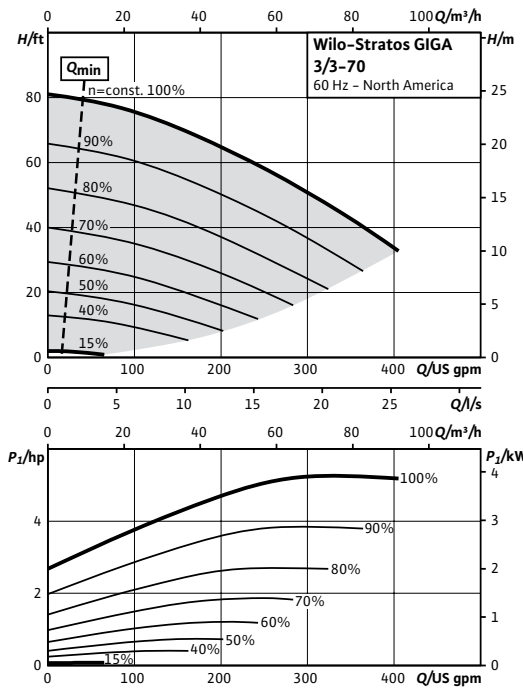


Submittal Data Sheet

High Efficiency Inline Circulators

Wilo-Stratos GIGA

	Project:						
	Engineer:						
	Contractor:						
	Submitted By:				Date:		
	Approved By:				Date:		
Tag #	Model #	Flow	Head	Control Mode	Cycle	Phase	Voltage
	Stratos GIGA 3/3-70					3	460



Technical Data	
PEI	0.50
Liquid Temp Range	-4°F to 248°F (-20°C to +120°C)
Fluid Capability	Water 50/50 Water-Glycol Mixtures
Max Operating Pressure	232 PSI 248°F (water only) 194°F (50% propylene)
Mains Voltage	3- 380-480V ±10% 50/60Hz
Protection Class	IP 55, Class F Insulation
Ambient Temp Range	32°F to 104°F (0°C to 40°C)
Max Relative Humidity	32°F to 86°F (0°C to 30°C): 90% 87°F to 104°F (31°C to 40°C): 60%
Sound Level	< 74 dBA

Materials of Construction	
Pump Volute	Cast Iron Cataphoresis Coated (ASTM A48 / EN-GJL-250)
Impeller	Composite (PPS-GF40) Integral Stainless Inlet
Shaft	Stainless Steel (AISI 420 / 1.4122)
Mechanical Seal	SiC/SiC-NBR (Q7Q7X4GG)

IR Module Selection		
Module 1	Module	Article Number
	BACnet / Dual Pump	2097811
	LONworks / Dual Pump	2022530
	MODBus	2097809
	None	None

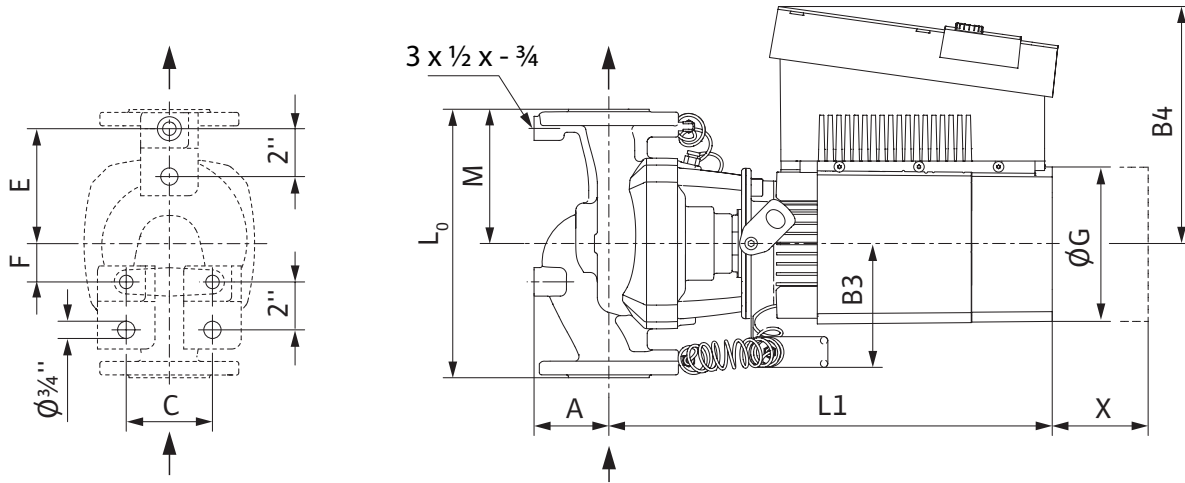
Applications	
• Hot Water Heating Systems	• Closed Cooling Circuits
• Industrial Circulation Systems	• Air-conditioning Systems
• Solar	• Geothermal

Approval Stamp

Submittal Data Sheet

High Efficiency Inline Circulators

Wilo-Stratos GIGA

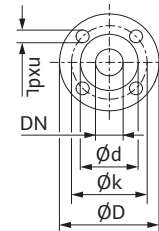


Dimensions and Weights

Model	Dimensions - Inches (mm)														Weight lbs (kg)
	I ₀	A	B1	B2	B3	B4	C	E	F	ØG	H	L1	M	X	
Stratos GIGA 3/3-70	18	4½	3 ^{11/16}	5 ^{1/16}	5 ^{1/16}	9¾	4¾	8	3½	6 ^{5/8}	10 ^{7/8}	18 ^{3/8}	9	8 ^{7/8}	123
	(457)	(114)	(94)	(129)	(129)	(248)	(121)	(203)	(89)	(168)	(276)	(470)	(229)	(225)	(56)

Flange Dimensions - 125#ANSI

Dimensions - Inches (mm)				
Dia.	ØD	Ød	Øk	n x Ød _L
3"	8¾	5 ^{11/16}	6	4 x ¾
	(210)	(144)	(152)	(4 x 19)



EC Motor Data (Single Motor Operation)

Model	P ₂ Rated	P ₁	Speed	FLA
	hp	kW	RPM	3~480V
Stratos GIGA 3/3-70	5.4	4	500-2300	4.9

