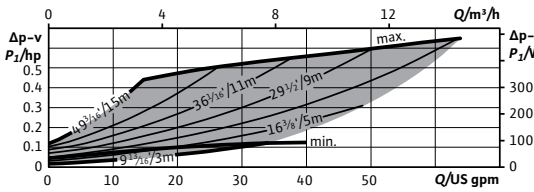
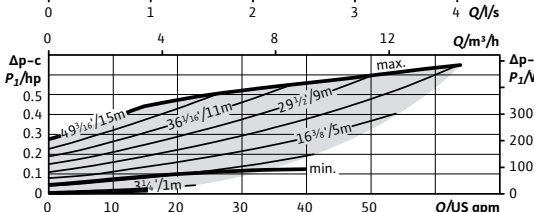
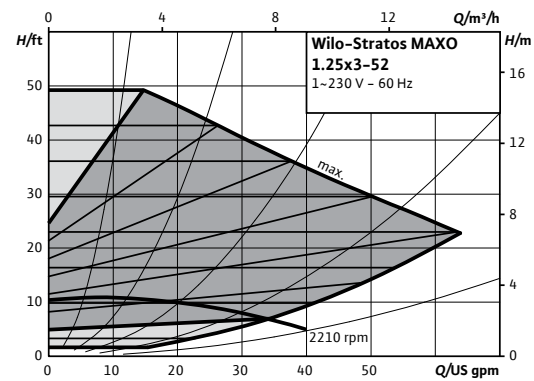
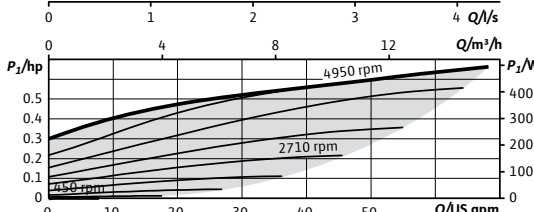
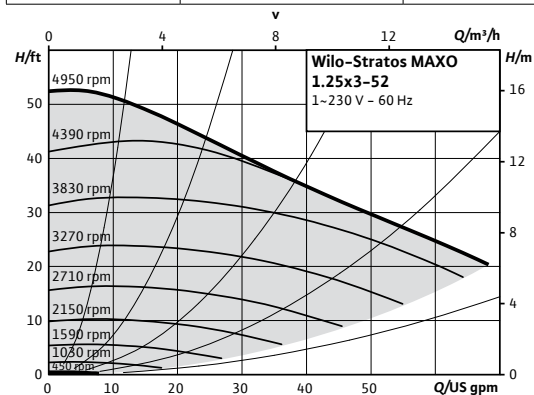


Wilo-Stratos MAXO

| | | Project: | | | | | |
|-------|----------------|---------------|------|--------------|-------|-------|----------|
| | | Engineer: | | | | | |
| | | Contractor: | | | | | |
| | | Submitted By: | | | Date: | | |
| | | Approved By: | | | Date: | | |
| Tag # | Model # | Flow | Head | Control Mode | Cycle | Phase | Voltage |
| | Maxo 1.25x3-52 | | | | 60Hz | 1~ | 230-240V |



Product Info

| | |
|----------------------|------------------------|
| Brand | Wilo |
| Product Description | Stratos MAXO 1.25x3-52 |
| Article Number | 2164611 |
| Net Weight (approx.) | 34 lbs |

Hydraulic Data

| | |
|---------------------------|----------|
| Max Operating Pressure PN | 145 PSI |
| Min. Suction Head (122°F) | 7.1 PSI |
| Min. Suction Head (203°F) | 17.1 PSI |
| Min. Suction Head (230°F) | 25.6 PSI |
| Min. Fluid Temp. | 14°F |
| Max Fluid Temp. | 230°F |
| Min. Ambient Temp | 14°F |
| Max. Ambient Temp | 104°F |

CIF Module Selection

| | |
|--------------|--------------------------|
| BACnet MS/TP | <input type="checkbox"/> |
| Modbus RTU | <input type="checkbox"/> |
| CANopen | <input type="checkbox"/> |
| LON TP/FT-10 | <input type="checkbox"/> |
| PLR | <input type="checkbox"/> |

Accessory Selection

| | |
|---------------------------------------|--------------------------|
| Immersion Temp. Sensor Pt 1000 AA | <input type="checkbox"/> |
| Immersion Sleeve G 1/2", 45mm | <input type="checkbox"/> |
| Pipe Surface Contact Sensor PT 1000 B | <input type="checkbox"/> |
| Immersion Sleeve G 1/2", 100mm | <input type="checkbox"/> |

Materials

| | |
|--------------|------------------------------|
| Pump Housing | EN-GJL-250 |
| Impeller | PPS-GF40 |
| Shaft | X30Cr13 |
| Bearing | Carbon, antimony-impregnated |

Motor Data

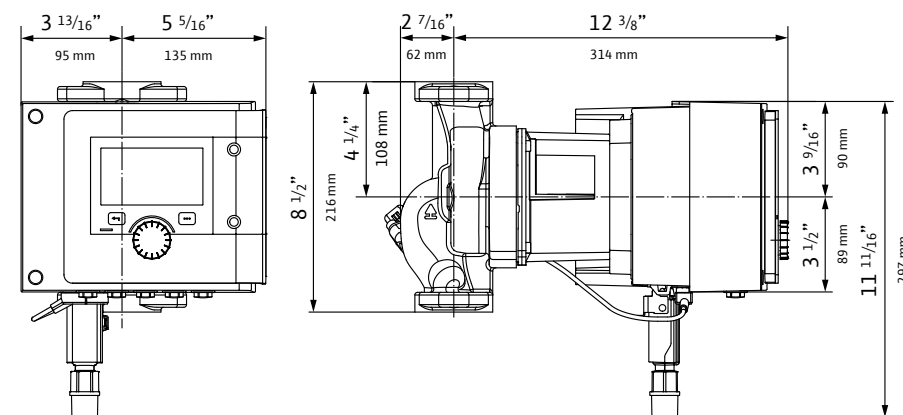
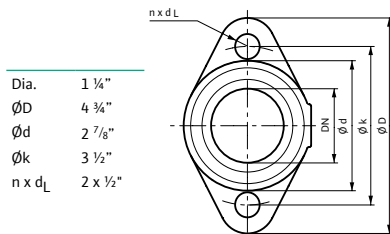
| | |
|---------------------------------------|---------------------------|
| Mains Connection | 1-230-240 V ±10%, 50/60Hz |
| Motor Type | ECM |
| Rated Power P ₂ | 0.582 hp |
| Min. Speed n _{min} | 450 RPM |
| Max. Speed n _{max} | 4950 RPM |
| Power Consumption P _{1,max} | 0.664 hp |
| Power Consumption P _{1,min} | 0.013 hp |
| Max Current (1-230V) I _{max} | 2.21 A |
| Min Current (1-230V) I _{min} | 0.2 A |
| Insulation Class | F |
| Protection Class | Enclosure 2 |

Electrical Inputs

| | |
|---------------------|---|
| Analog Inputs (2x) | 0-10V / 0-20mA / 4-20mA / PT 1000 Passive/Active +24V DC |
| Digital Inputs (2x) | Ext Off / Ext Min / Ext Max / Ext. MANUAL (BMS off) / External Key Lock / Switch heating, cooling |
| Wilo NET | Multi-Pump Communication |
| SSM | Fault Signal |
| SBM | Run Signal |

Installation Dimensions

| | |
|-----------------------------|--------|
| Pipe Connection (discharge) | 1 1/4" |
| Pipe Connection (suction) | 1 1/4" |
| Flange to Flange | 8 1/2" |



WILO USA LLC
+1 262 204-6600
www.wilo-usa.com
info.us@wilo.com

WILO Canada Inc.
+1 403 276-9456
www.wilo-canada.com
info@wilo-canada.com

WILO Mexico
+52 442 167 00 32
www.wilo-mexico.com
info@wilo.com.mx