

Submittal Data Sheet

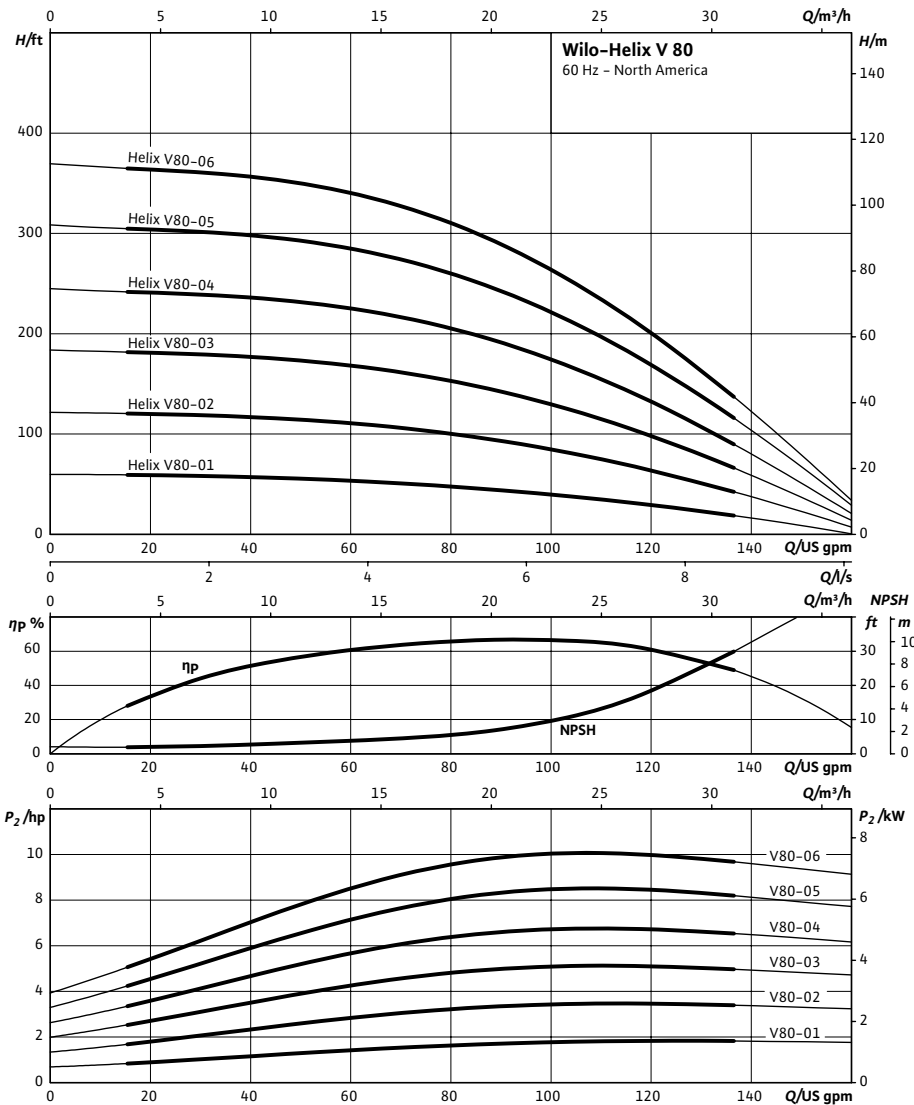
Vertical Multistage Pumps

Wilo-Helix



Project:	
Engineer:	
Contractor:	
Submitted By:	Date:
Approved By:	Date:

Tag #	Model #	Flow	Head	Volute	Control Mode	HP	Phase	Voltage
	Helix V 80						3	460



Product Info

Brand	Wilo
Product Description	Helix V 80

Technical Data

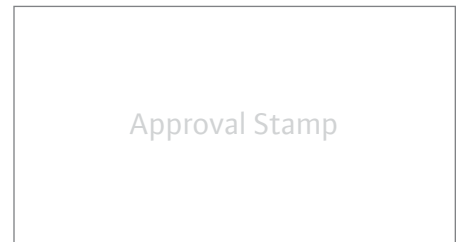
PEI	(See page 2)
Certification	NSF 61 Approved (EPDM)
Liquid Temp Range	-4°F to +248°F
Power Supply	3~ 208-230v, 3~ 460v, 3~ 575v
Ambient Temperature	+5°F to +104°F
Flange Connection	ANSI CLASS 300
Max Operating Pressure	232/363 PSI
Protection Class	IP 55

Construction Materials

Pump Volute, flanges, impeller, stage housing, diffusers	Stainless steel AISI 304
Shaft	Stainless steel AISI 304 or AISI 316LN (Depending on version)
Shaft sleeves	Stainless Steel AISI 316L
Baseplate & lantern	Cast Iron Cataphoresis Coated ASTM A 48 Class 35/40
O-ring	EPDM (FKM upon request)
Jacket pipe	Stainless Steel AISI 304

Applications

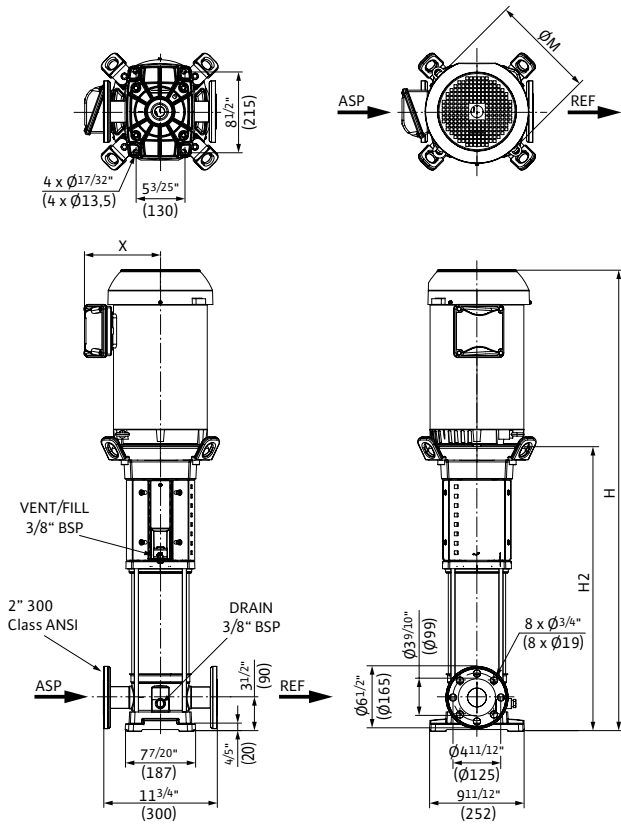
- Water supply & pressure boosting
- Industrial circulation systems
- Cooling water circulation systems
- Process water
- Washing systems
- Irrigation



Submittal Data Sheet

Vertical Multistage Pumps

Wilo-Helix



Dimensions and Weights

Model	PEI	H		H ₂		Ø M		X		Weight	
		in	mm	in	mm	in	mm	in	mm	lbs	kg
Helix V 80-2	0.99	36 ^{1/16}	916	19	483	9 ^{7/16}	240	11	279	133	60.33
Helix V 80-3	0.97	38	965	21	533	9 ^{7/16}	240	11	279	135	61.23
Helix V 80-4	0.97	46 ^{5/8}	1184	28	711	10 ^{15/16}	278	13	330	221	100.24
Helix V 80-5	0.96	50 ^{3/16}	1275	30	762	10 ^{15/16}	278	13	330	251	113.85
Helix V 80-6	0.96	52 ^{1/8}	1324	32	813	10 ^{15/16}	278	13	330	254	115.21

TEFC Motor Data

P2	Phase	208-230/460 V		575 V	
		FLA	FLA	FLA	FLA
[HP]	[~]	[A]	[A]	[A]	[A]
5	3	13.1-11.8/5.9	4.72	13.1-11.8/5.9	4.72
7.5	3	19.2-17.3/8.67	6.94	19.2-17.3/8.67	6.94
10	3	25.4-23/11.5	9.2	25.4-23/11.5	9.2