

# Submittal Data Sheet

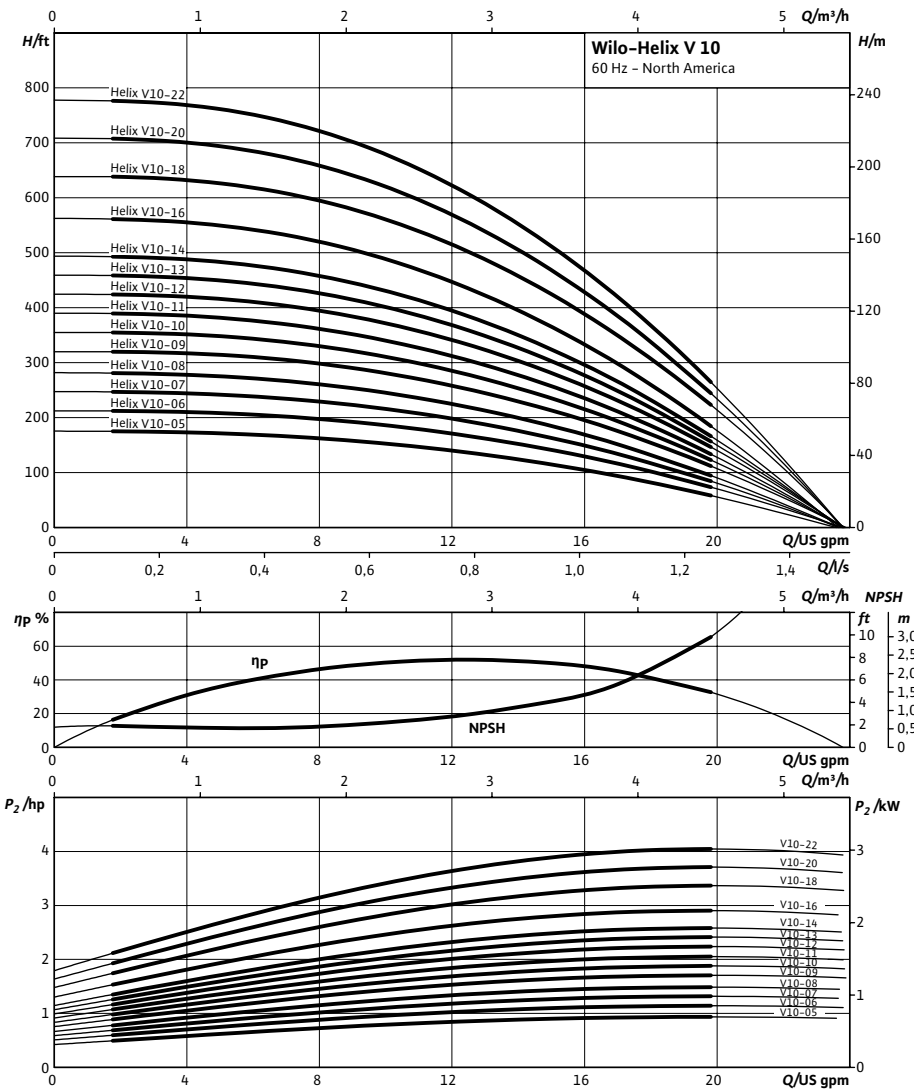
Vertical Multistage Pumps

## Wilo-Helix



Project:	
Engineer:	
Contractor:	
Submitted By:	Date:
Approved By:	Date:

Tag #	Model #	Flow	Head	Volute	Control Mode	HP	Phase	Voltage
	Helix V 10						3	460



### Product Info

Brand	Wilo
Product Description	Helix V 10

### Technical Data

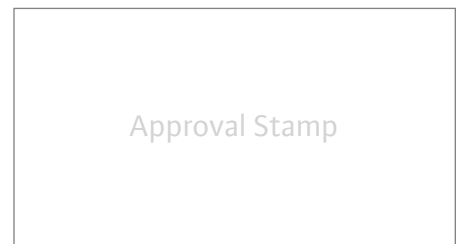
PEI	(See page 2)
Certification	NSF 61 Approved (EPDM)
Liquid Temp Range	-4°F to +248°F
Power Supply	3~ 208-230v, 3~ 460v, 3~ 575v
Ambient Temperature	+5°F to +104°F
Flange Connection	ANSI CLASS 300
Max Operating Pressure	232/363 PSI
Protection Class	IP 55

### Construction Materials

Pump Volute, flanges, impeller, stage housing, diffusers	Stainless steel AISI 304
Shaft	Stainless steel AISI 304 or AISI 316LN (Depending on version)
Shaft sleeves	Stainless Steel AISI 316L
Baseplate & lantern	Cast Iron Cataphoresis Coated ASTM A 48 Class 35/40
O-ring	EPDM (FKM upon request)
Jacket pipe	Stainless Steel AISI 304

### Applications

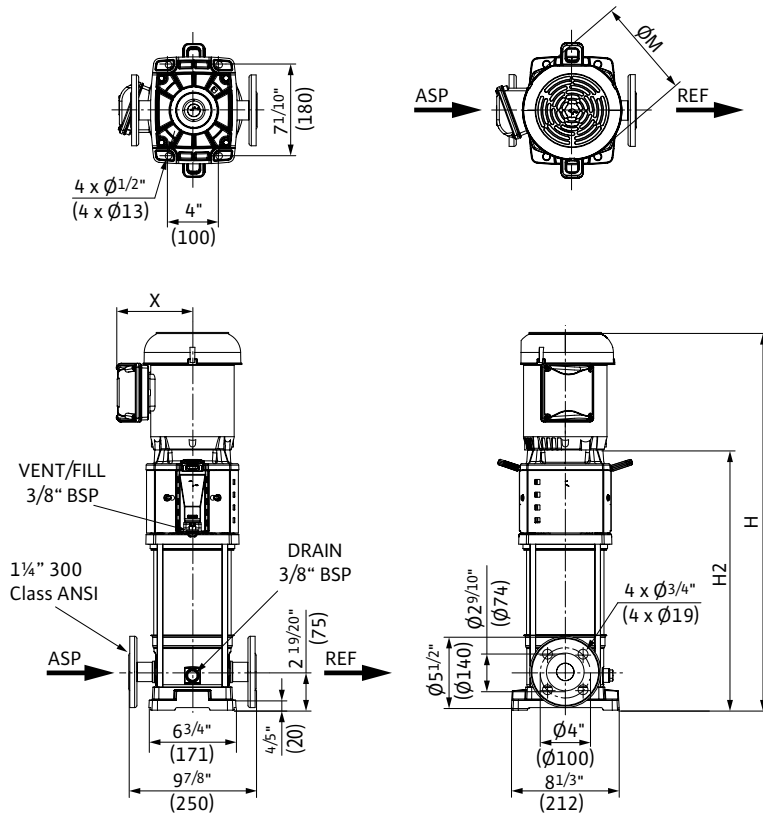
<ul style="list-style-type: none"> <li>Water supply &amp; pressure boosting</li> </ul>	<ul style="list-style-type: none"> <li>Industrial circulation systems</li> </ul>
<ul style="list-style-type: none"> <li>Cooling water circulation systems</li> </ul>	<ul style="list-style-type: none"> <li>Process water</li> </ul>
<ul style="list-style-type: none"> <li>Washing systems</li> </ul>	<ul style="list-style-type: none"> <li>Irrigation</li> </ul>



# Submittal Data Sheet

Vertical Multistage Pumps

## Wilo-Helix



### Dimensions and Weights

### TEFC Motor Data

Model	H		H <sub>2</sub>		Ø M		X		Weight	
	in	mm	in	(mm)	in	(mm)	in	(mm)	lbs	kg
Helix V 10-05	28 <sup>3/16</sup>	716	19	483	6 <sup>11/16</sup>	170	9	229	65	29.48
Helix V 10-06	31 <sup>3/16</sup>	792	20	508	7 <sup>5/8</sup>	194	10	254	85	38.56
Helix V 10-07	32 <sup>1/8</sup>	816	21	533	7 <sup>5/8</sup>	194	10	254	87	39.46
Helix V 10-08	33 <sup>1/8</sup>	841	22	559	7 <sup>5/8</sup>	194	10	254	89	40.37
Helix V 10-09	34 <sup>7/8</sup>	886	23	584	7 <sup>5/8</sup>	194	10	254	95	43.09
Helix V 10-10	35 <sup>7/8</sup>	911	24	610	7 <sup>5/8</sup>	194	10	254	95	43.09
Helix V 10-11	36 <sup>7/8</sup>	937	25	635	7 <sup>5/8</sup>	194	10	254	97	44
Helix V 10-12	39 <sup>1/16</sup>	992	26	660	7 <sup>3/8</sup>	187	10	254	108	48.99
Helix V 10-13	41	1041	28	711	7 <sup>3/8</sup>	187	10	254	110	49.9
Helix V 10-14	41	1041	28	711	7 <sup>3/8</sup>	187	10	254	110	49.9
Helix V 10-16	43	1092	30	762	7 <sup>3/8</sup>	187	10	254	112	50.8
Helix V 10-18	49 <sup>9/16</sup>	1259	33	838	9 <sup>7/16</sup>	240	11	279	151	68.49
Helix V 10-20	51 <sup>9/16</sup>	1310	35	891	9 <sup>7/16</sup>	240	11	279	153	69.4
Helix V 10-22	55 <sup>1/2</sup>	1410	39	991	9 <sup>7/16</sup>	240	11	279	155	70.31

P2	Phase	208-230/460 V		575 V	
		FLA	FLA	FLA	FLA
[HP]	[~]	[A]	[A]	[A]	[A]
1	3	3.32-3/1.5	1.2		
1.5	3	4.14-3.74/1.87	1.5		
1.5	3	4.14-3.74/1.87	1.5		
1.5	3	4.14-3.74/1.87	1.5		
2	3	5.46-4.94/2.47	1.98		
2	3	5.46-4.94/2.47	1.98		
2	3	5.46-4.94/2.47	1.98		
3	3	7.76-7.02/3.51	2.81		
3	3	7.76-7.02/3.51	2.81		
3	3	7.76-7.02/3.51	2.81		
3	3	7.76-7.02/3.51	2.81		
5	3	13.1-11.8/5.9	4.72		
5	3	13.1-11.8/5.9	4.72		
5	3	13.1-11.8/5.9	4.72		