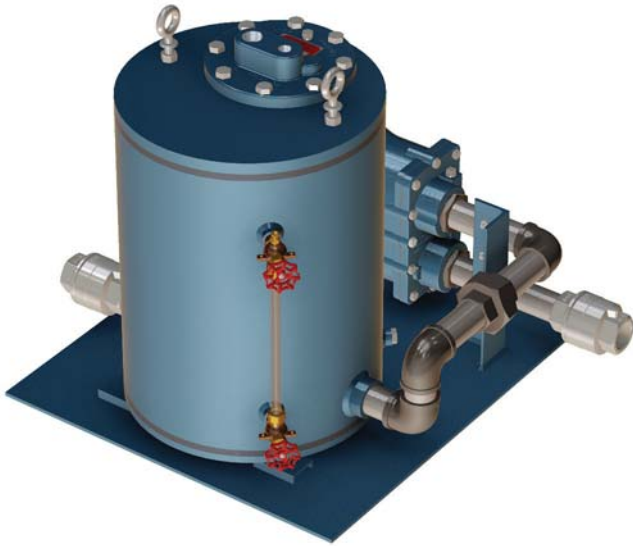


Pump & Trap Combination

External Steam Trap

WPT

PUMPING TRAPS



WPT-Series Pump-Trap Combinations simplify Selection & Installation of Pressure Motive Pumps

- 3 size ranges available
- Up to 13,000 lbs/hr of condensate load

WPT3 • 1 1/2 x 1 1/2

(PMPLS with 2" FTE-200 Steam Trap)

Typical Applications

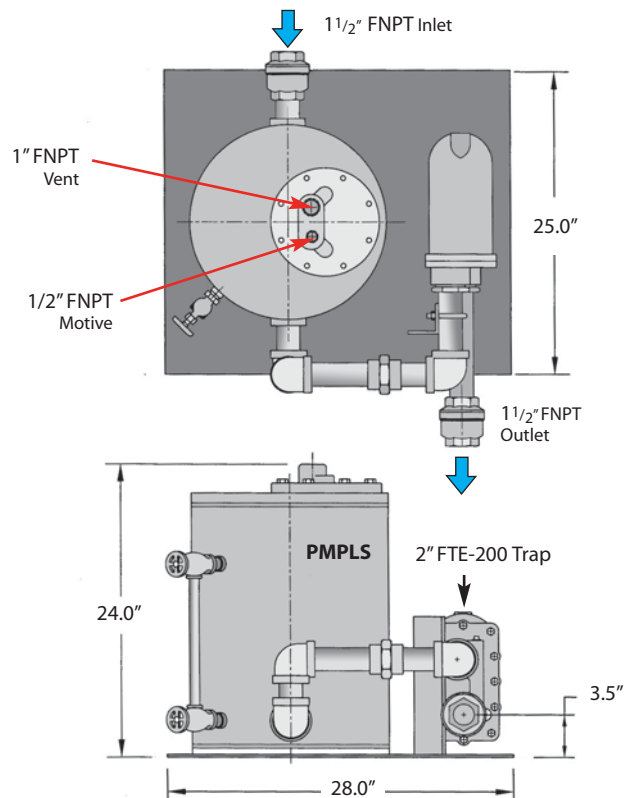
WPT Pump-Trap Combinations are excellent for draining condensate from heat exchangers and other equipment whose steam pressure is modulated by a temperature regulator or a temperature control valve. In these applications the steam pressure in the heat exchanger may not be sufficient to overcome the back pressure in the condensate return line. When this condition occurs, the pressure powered pump takes over and uses high pressure steam supplied to the pump to discharge the condensate. When sufficient pressure does exist, the WPT functions like a standard steam trap.

Pump-Traps facilitate condensate discharge under all operating conditions, including vacuum.

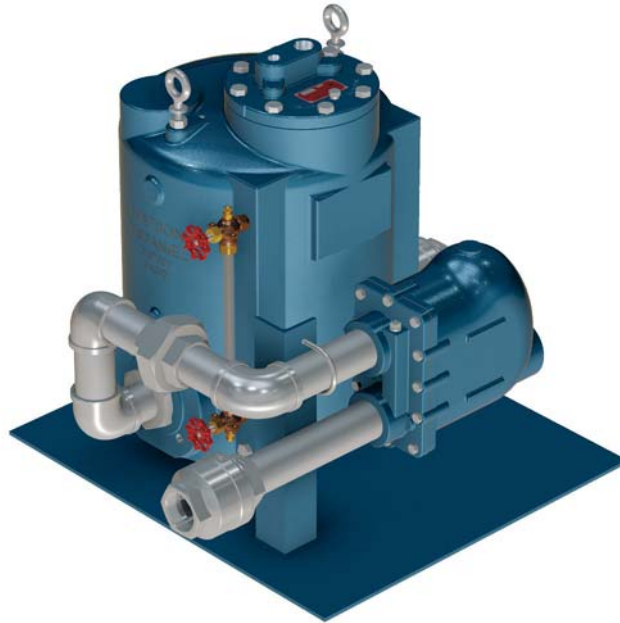
Pump-Trap Features

- Pump and Steam Trap are pre-mounted together on a single base for easy installation
- Higher capacities than Pump-Trap combinations with internal steam traps (PMPT)
- Engineering and selection is simplified using a pre-mounted system

NOTE: Reservoir - Pump-Trap Combination may require a reservoir above the pump to collect condensate generated in the heat exchanger during the discharge cycle of the pump. Consult Reservoir Sizing Guidelines or contact factory for additional information.

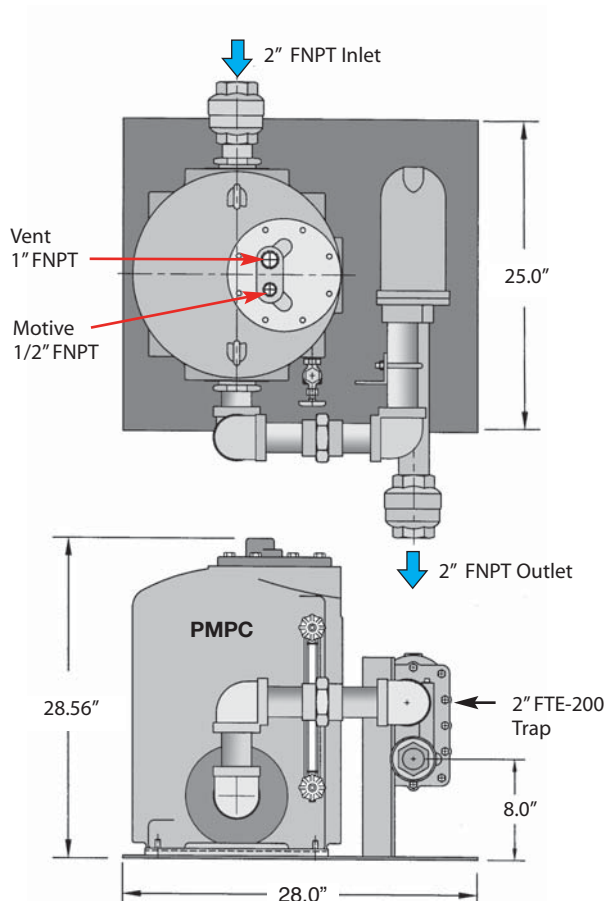


| MATERIALS | WPT3 | | WPT4 | | WPT5 | |
|---------------------------|------------------|---------------------|---------------------|---------------------|---------------------|---------------------|
| | Pump | Trap | Pump | Trap | Pump | Trap |
| Body | Carbon Steel | Ductile Iron SA-395 | Ductile Iron SA-395 | Ductile Iron SA-395 | Ductile Iron SA-395 | Ductile Iron SA-395 |
| Cover | Carbon Steel | Ductile Iron SA-395 | Ductile Iron SA-395 | Ductile Iron SA-395 | Ductile Iron SA-395 | Ductile Iron SA-395 |
| Cover Gasket | Garlock | Garlock | Garlock | Garlock | Garlock | Garlock |
| Cover Bolts | Steel | Steel | Steel | Steel | Steel | Steel |
| Inlet Valve | 17-4 Ph SS 40 Rc | n/a | 17-4 Ph SS 40 Rc | n/a | 17-4 Ph SS 40 Rc | n/a |
| Vent Valve | 17-4 Ph SS 40 Rc | n/a | 17-4 Ph SS 40 Rc | n/a | 17-4 Ph SS 40 Rc | n/a |
| Ball Float | 304 SS | 304 SS | 304 SS | 304 SS | 304 SS | 304 SS |
| Check Valves | 316 SS | n/a | 316 SS | n/a | 316 SS | n/a |
| Springs | Inconel-X-750 | n/a | Inconel-X-750 | n/a | Inconel-X-750 | n/a |
| Other Internal Components | Stainless Steel | Stainless Steel | Stainless Steel | Stainless Steel | Stainless Steel | Stainless Steel |



WPT4 • 2" x 2"

(PMPC with 2" FTE-200 Steam Trap)



WPT5 • 3" x 2"

(PMPC with 2 1/2" FTE-200 Steam Trap)

