

# UTS600 Series Quick-Change Trap Test Valve Station

(For use with Universal Quick-Change Trap Modules)

**Connector Design: Class 600 per ANSI/ASME B 16.34**



Model	<b>UTS600</b>
Sizes	<b>1/2", 3/4", 1"</b>
Connections	<b>NPT, SW, FLG</b>
Body Material	<b>Stainless Steel</b>
PMO Max. Operating Pressure	<b>(trap module dependent)</b>
TMO Max. Operating Temperature	<b>(trap module dependent)</b>
PMA Max. Allowable Pressure	<b>1440 PSIG @ 100°F</b>
TMA Max. Allowable Temperature	<b>800°F @ 845 PSIG</b>

Steam Trap Modules that mount to Universal Connectors are shown on the following pages. Trap modules available in: Inverted Bucket, Float & Thermostatic, Thermodynamic, Thermostatic and Bi-metallic type.

## Typical Applications

**DRIP, TRACER: UTS600 Series** Universal Connector Trap Test Valve Stations reduce the time and manpower to test and replace steam traps. The stainless steel Connector remains permanently in-line allowing steam trap module to be replaced in minutes. Integral isolation valves and trap test valve allow for simple trap testing to determine operation. These universal connectors can be used for drip service on steam mains and steam supply lines, tracing, or for small process equipment. Industrial standard 2-bolt universal connectors are commonly used in chemical plants, petrochemical refineries, paper mills, and other industrial facilities. The UTS600 connectors conform to industrial standards, making them compatible with other manufacturers' universal steam trap modules.

## How It Works

Universal connectors remain permanently installed in the piping system. The convenient 2-bolt mounting system allows the trap module to be removed and replaced quickly and easily using a socket or open-end wrench without disturbing the existing piping. The handwheels control the integral piston-style inlet and outlet isolation valves while the test valve opens a port to witness trap discharge and function. A strainer and blowdown valve are included to protect the trap module from fouling due to pipe scale and debris. Blowdown can also be used to reduce start-up times.

## Features

- Universal connector with 2-bolt mounting allows for fast, easy replacement of trap module making it more cost-effective than replacing conventional type steam traps
- Integral piston-style valves allow for reliable isolation of trap module for testing and replacement
- All stainless steel construction
- Trap module can rotate 360° on the universal connector allowing any orientation during installation
- Compatible with other manufacturers' trap modules
- Available with integral strainer and blowdown valve

## Sample Specification

The Universal Connector Trap Test Station shall be all stainless steel construction designed to ANSI/ASME B16.34 Class 600. The unit shall include a two-bolt 360 degree swivel mount flange design, piston-style isolation valves, test valve, and integral strainer and blowdown valve.

Used with the following Watson McDaniel Steam Trap Modules:

- USIB450** - Inverted Bucket
- UTD450** - Thermodynamic
- UTD450SM** - Thermodynamic
- UTD600LSM** - Thermodynamic
- UT450** - Thermostatic
- UFT450** - Float & Thermostatic
- UB450** - Bi-Metallic

## Installation and Maintenance

The universal connector can be installed in vertical or horizontal piping and available in 1/2", 3/4" and 1" threaded NPT, socket weld (SW), and flanged (FLG). In horizontal installations, orientation of connector body may be dependent on the specific type of trap module used. These connectors remain permanently installed in the piping system. The convenient 2-bolt mounting system allows the trap module to be easily replaced using a socket or open-end wrench without having to unthread piping. Pipe test port to safe location.

## MATERIALS

Connector Body	Stainless Steel, ASTM A351 CF8M
Bonnet	Stainless Steel, ASTM A351 CF8M
Bonnet Studs	A193 Grade B7
Bonnet Nuts	A194 Grade 2H
Valve Stem & Piston	Stainless Steel, 416
Valve Rings	Graphite & Stainless Steel
Handwheel	Ductile Iron
Washers	Stainless Steel
Gasket	Copper
Strainer Screen	Stainless Steel, 304
Blowdown Body & Stem	Stainless Steel
Test Valve Body & Stem	Stainless Steel

## How to Size / Order

Connectors and Trap Modules are ordered separately. See following pages for the Trap Modules.

# UTS600 Series

# Quick-Change Trap Test Valve Station

(For use with Universal Quick-Change Trap Modules)

### Helpful Selection Information

Choose the desired style connector:

UTS600R (flow to right)

UTS600L (flow to left)

All connector styles will operate with any trap module. UTS600 Series Connectors include integral inlet and outlet isolation valves, **strainer blowdown on inlet side and test valve on outlet side.**

### UTS600



Size	Model Code Threaded - NPT	Model Code Socket Weld	Weight lbs
<b>Connector (with Isolation Valves, Test Valve, Strainer and Blowdown Valve) FLOW TO RIGHT</b>			
1/2"	UTS600R-12-N	UTS600R-12-SW	7
3/4"	UTS600R-13-N	UTS600R-13-SW	7
1"	UTS600R-14-N	UTS600R-14-SW	9
<b>Connector (with Isolation Valves, Test Valve, Strainer and Blowdown Valve) FLOW TO LEFT</b>			
1/2"	UTS600L-12-N	UTS600L-12-SW	7
3/4"	UTS600L-13-N	UTS600L-13-SW	7
1"	UTS600L-14-N	UTS600L-14-SW	9

Note: 1" units include weld adapters.

### UTS600F



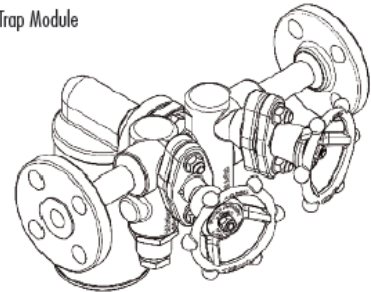
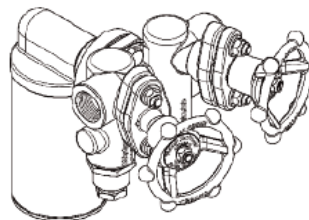
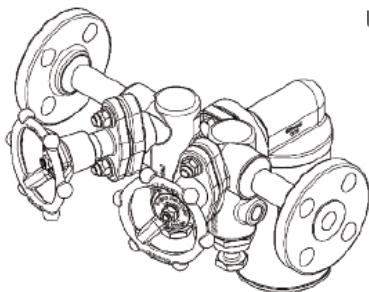
Size	Model Code Flanged - 150#	Model Code Flanged - 300#	Weight lbs
<b>Connector (with Isolation Valves, Test Valve, Strainer and Blowdown Valve) FLOW TO RIGHT</b>			
1/2"	UTS600R-12-F150	UTS600R-12-F300	14
3/4"	UTS600R-13-F150	UTS600R-13-F300	14
1"	UTS600R-14-F150	UTS600R-14-F300	15
<b>Connector (with Isolation Valves, Test Valve, Strainer and Blowdown Valve) FLOW TO LEFT</b>			
1/2"	UTS600L-12-F150	UTS600L-12-F300	14
3/4"	UTS600L-13-F150	UTS600L-13-F300	14
1"	UTS600L-14-F150	UTS600L-14-F300	15

Note: 600# FLG connections available; consult factory.

### Horizontal Piping

#### Steam Flow to the Right or to the Left

UTS600 & UTS600F Connector (shown below) with USIB Inverted Bucket Trap Module



# UTS600 Series

# Quick-Change Trap Test Valve Station

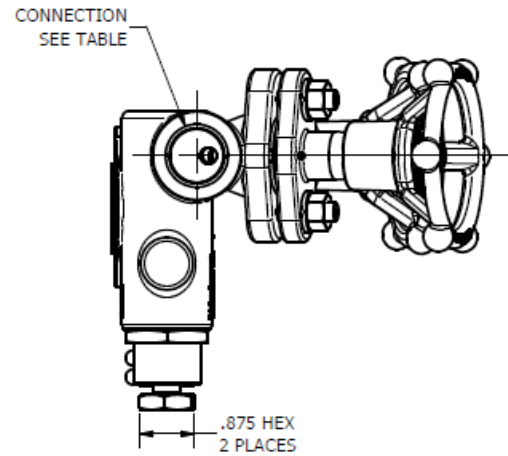
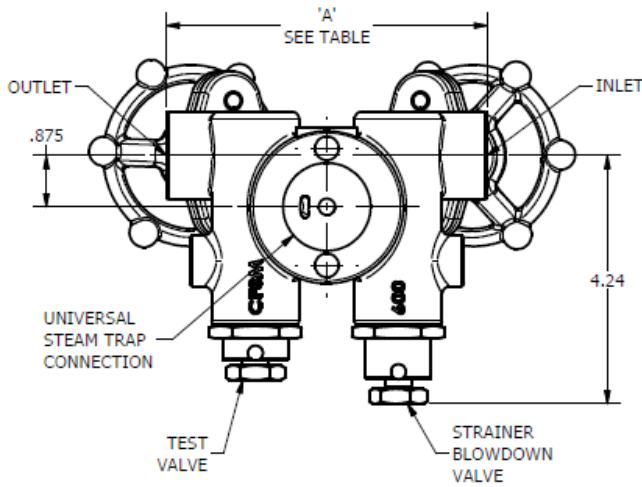
Dimensions

## UC450SR & UC450SBR Universal Connectors

Connectors available in 1/2", 3/4" and 1" sizes in NPT or Socket-Weld Connections

## Flow Direction - To RIGHT

Note: Optional Flange units available.



'R' CONFIGURATION SHOWN.  
FOR OPPOSITE FLOW ORDER 'L' CONFIGURATION

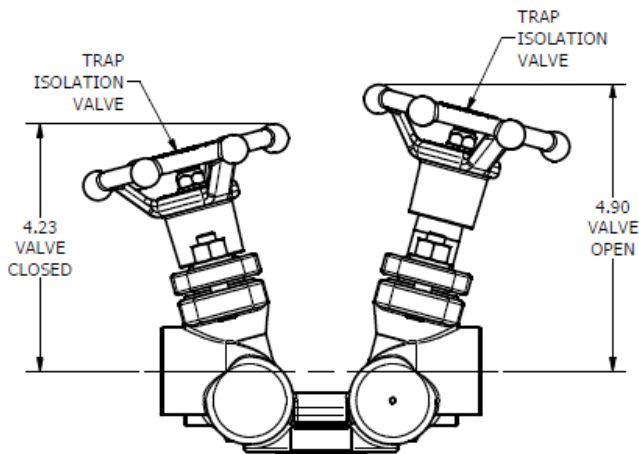


TABLE			
Size	Connection	Model Code	'A'
1/2"	NPT	UTS600R-12-N	5.50
1/2"	SW	UTS600R-12-SW	5.50
1/2"	150# Flg	UTS600R-12-F150	12.00
1/2"	300# Flg	UTS600R-12-F300	12.00
1/2"	600# Flg	UTS600R-12-F600	12.00
3/4"	NPT	UTS600R-13-N	5.50
3/4"	SW	UTS600R-13-SW	5.50
3/4"	150# Flg	UTS600R-13-F150	12.00
3/4"	300# Flg	UTS600R-13-F300	12.00
3/4"	600# Flg	UTS600R-13-F600	12.00
1"	NPT	UTS600R-14-N	8.25
1"	SW	UTS600R-14-SW	8.25
1"	150# Flg	UTS600R-14-F150	12.00
1"	300# Flg	UTS600R-14-F300	12.00
1"	600# Flg	UTS600R-14-F600	12.00