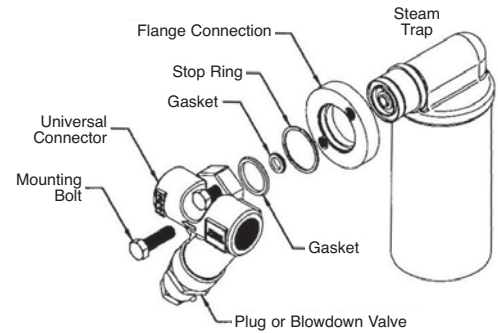
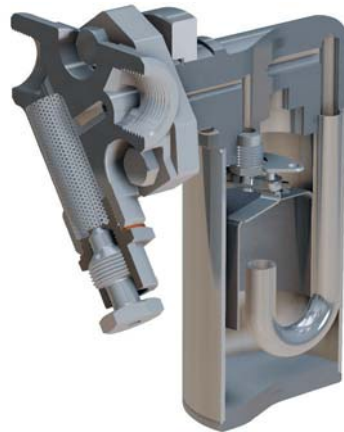




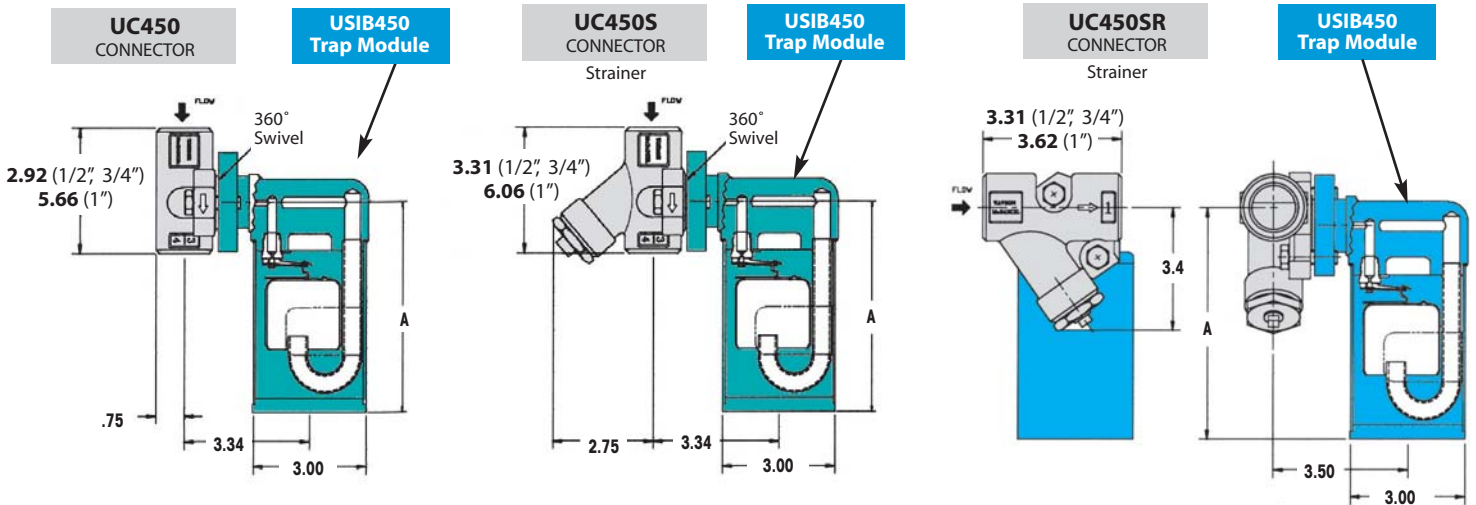
## USIB450

**Inverted Bucket Steam Trap Module** (mounts to UC450 Universal Connectors)



Horizontal Piping (Connector with Strainer)	Vertical Piping (Connector with Strainer)	Vertical or Horizontal Piping (No Strainer)
<p><b>Steam Flow to the Right</b> (Standard)</p> <p>Trap shown with <b>UC450SR</b> Connector (Use <b>L</b> Style if a Piping Constraint exists)</p>	<p><b>Steam Flow Downward</b></p> <p>Trap shown with <b>UC450SR</b> Connector</p>	<p><b>Steam Flow Any Direction</b></p> <p>Trap shown with <b>UC450</b> Connector</p>

Connectors available in 1/2", 3/4" and 1" sizes in NPT or Socket-Weld Connections



**USIB450** A-Dimension = 5.81"  
**USIB450H** A-Dimension = 6.81"

**USIB450** A-Dimension = 6.12"  
**USIB450H** A-Dimension = 7.12"