

### On/Off Control using an Electric Solenoid

- Max Inlet Pressure: 250 PSIG

Solenoid Pilot (Electric)	<b>PS1 &amp; PS2</b>
Pilot Body Material	<b>Cast Iron</b>
Valve Head & Seat	<b>Stainless Steel</b>
Max Inlet Pressure	<b>250 PSIG</b>
Pressure Range	
PS1	<b>0-180 PSIG</b>
PS2	<b>180-250 PSIG</b>



Pilot-Operated REGULATORS

#### Typical Applications

Typically used for automatic operation, remote control, programmed cycling, sequential function interlocks with other equipment, and emergency shut-off in case of power failure.

#### How it Works

The **PS-Solenoid Pilot** can be used in conjunction with Pressure, Temperature, or Air Pilots to electrically control on/off operation of the **HD Regulator**. When the solenoid pilot is used, the regulator can be turned on or off by electrically activating or de-activating the solenoid.

#### Normally Closed (NC) – Standard

The normally CLOSED Solenoid Pilot remains closed in the non-activated state. The regulating valve will remain closed until an electrical signal is sent to the solenoid pilot. The signal is required to allow the regulator to operate. This is known as a fail-safe condition.

#### Normally Open (NO) – Optional

The normally OPENED Solenoid Pilot remains open in the non-activated state. The regulating valve will function normally unless an electrical signal is used to shut off the solenoid pilot.

#### Features

- Available normally opened (NO) or normally closed (NC)
- Full-port strainer and blow-down valve on pilot adapter to eliminate failure caused by contaminated steam systems

#### Options

- Normally open solenoid
- NEMA Ratings: NEMA 4 and NEMA 7
- Voltage: 24 VAC, 120 VAC, 240 VAC

Standard Solenoid Pilots Available	
Steam Inlet Pressure	0-180 PSIG 180-250 PSIG
NEMA Ratings	NEMA 4 – Waterproof (standard) NEMA 7 – Explosion-proof (optional)
Voltage	24 Volts AC 110-120 Volts AC 220-240 Volts AC
Control Action	Normally Closed (standard) Normally Open (special ordered)

Model Code	PMO PSIG	Weight lbs
PS1	15-180	4.5
PS2	180-250	5.5
PS1-LP	0-20	4.5

Use PS1-LP for Low Pressure applications under 15 PSI.

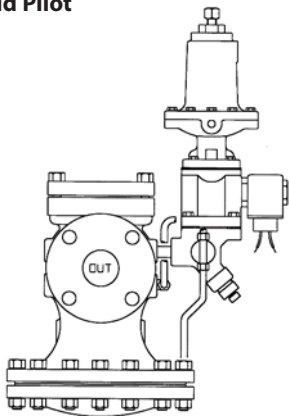
#### Model Code Configuration Chart

Models	Pressure PSI	Code	Voltage	Code	Action	Code	Rating
PS1	15-180 PSIG	24	24 VAC	NC	Normally Closed (Standard)	N4	Standard. Meets enclosure Type 4 (water proof).
PS2	180-250 PSIG	120	110 -120 VAC	NO	Normally Open (special ordered)	N7	Meets NEMA 4 & 7 Rating (water proof & explosion proof)
PS1-LP	0-20 PSIG	240	220 - 240 VAC				

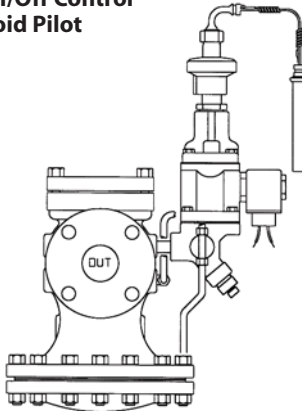
#### Example Model Codes:

- 1) **PS1-120-NC-N4** NEMA 4 (standard)
- 2) **PS1-120-NC-N7** NEMA 4 & 7 (waterproof & explosion proof)

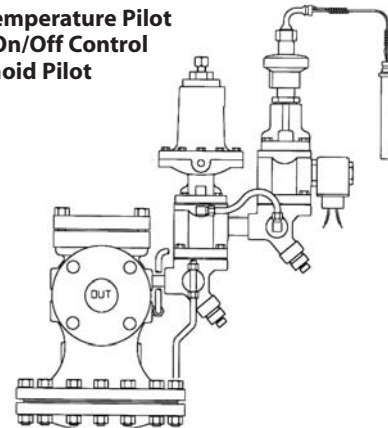
**HD Main Valve**  
with  
**PS1 On/Off Control Solenoid Pilot**



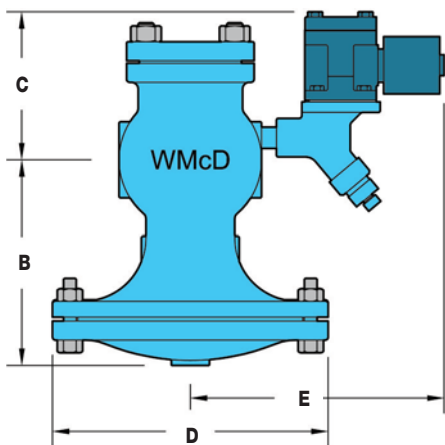
**HD Main Valve**  
with  
• **PT-Temperature Pilot**  
• **PS1 On/Off Control Solenoid Pilot**



**HD Main Valve**  
with  
• **PP-Pressure Pilot**  
• **PT-Temperature Pilot**  
• **PS1 On/Off Control Solenoid Pilot**



Pilot-Operated REGULATORS



### DIMENSIONS HD-Series – inches

Size	Face-To-Face			B	C*	D	E**	Weight (lbs)	
	NPT	150#	300#					NPT	FLG
1/2"	4 <sup>3</sup> / <sub>8</sub>			5 1/2	7 1/2	6 1/2	7 3/4	18	
3/4"	4 <sup>3</sup> / <sub>8</sub>			5 1/2	7 1/2	6 1/2	7 3/4	18	
1"	5 <sup>3</sup> / <sub>8</sub>	5 1/2	6	6 1/4	7 1/2	7	7 3/4	23	35
1 1/4"	6 1/2			7 3/8	7 1/2	8 3/4	8 3/8	43	
1 1/2"	7 1/4	6 7/8	7 3/8	7 3/8	7 1/2	8 3/4	8 3/8	43	60
2"	7 1/2	8 1/2	9	8 1/4	7 1/2	10 7/8	8 3/4	65	85
2 1/2"		9 3/8	10	9	7 1/2	11 3/4	8 3/4		105
3"		10	10 3/4	8 7/8	7 1/2	13 1/4	9 1/2		145
4"		11 7/8	12 1/2	10 7/8	7 1/2	14 3/4	10 1/2		235
6"		15 1/8	16	14 1/8	8 1/4	19 3/4	11 3/4		470

### MATERIALS for On/Off Solenoid Pilot

Pilot Body & Cover	<b>Ductile Iron</b>
Seat Gasket	302 SS
Cover Screws	Steel, GR5
Internals	Stainless Steel

### MATERIALS for HD Main Valve

Body	<b>Ductile Iron</b>
Cover	<b>Ductile Iron</b>
Gasket	Grafoil/Garlock
Cover Screws	Steel
Pilot Adapter	<b>Ductile Iron/Cast Steel</b>
Screen	Stainless Steel
Tubing	Copper
Valve Seat	Hardened SST (55 Rc)
Valve Disc	Hardened SST (55 Rc)
Diaphragm	Phosphor Bronze

### OPERATING PRESSURES

Inlet Pressure Range:

**15 PSIG** (Standard Main Valve)

**5 PSIG** (Low Pressure Main Valve)

Minimum Differential Pressure:

**10 PSI** (Standard Main Valve)

**3 PSI** (Low Pressure Main Valve)