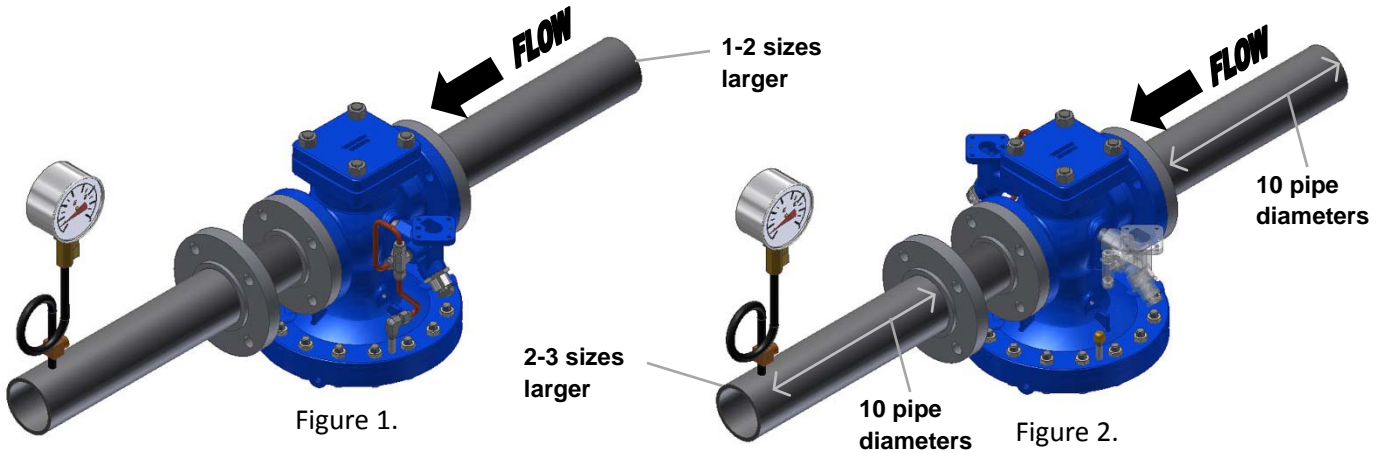




Series HD Quick Installation Guide

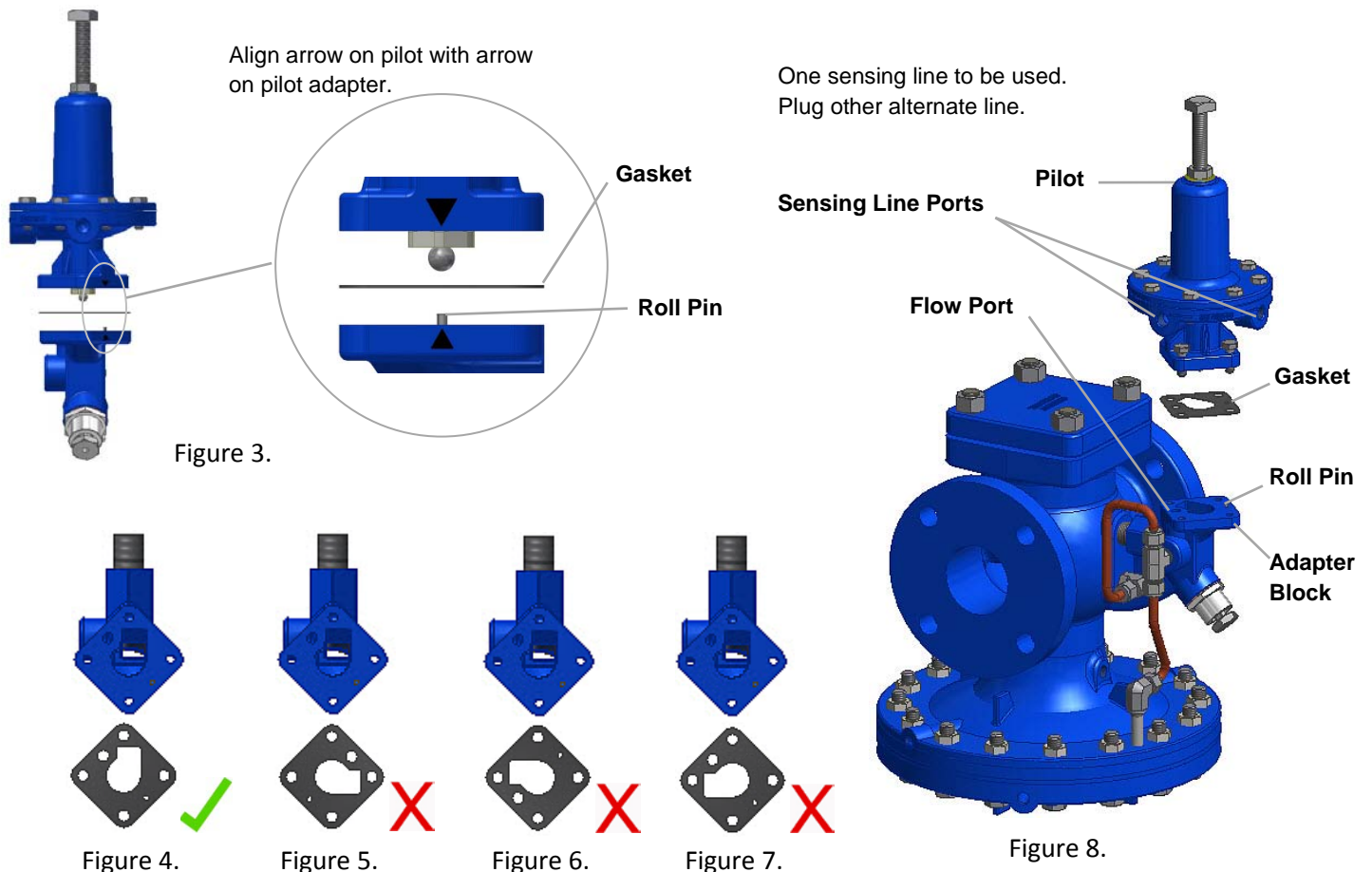
Installing HD Valve Assembly

Install HD valve assembly in horizontal position with flow in direction as indicated by arrow on body. Make sure main valve diaphragm is in the down position. Piping on downstream side of valve is generally larger than valve to eliminate flow restriction. **Caution:** When installing flanged valves make sure flange bolts are tightened evenly as to not overstress and crack flanges.



Install Gasket and Pilot

Remove pilot adapter protector from main valve. Place gasket on pilot adapter block making sure gasket is proper side up and roll pin in pilot adapter block is inserted thru small hole in gasket. Assemble pilot to adapter block making sure roll pin in adapter is inserted in blind hole assembly. Line up arrow on pilot to the side of the adapter block that has the roll pin.



When installing pilot on opposite side of the main valve, make sure the pilot is installed in the proper orientation. The arrows on the pilot adapter and the pilot should be aligned. See figure 3.

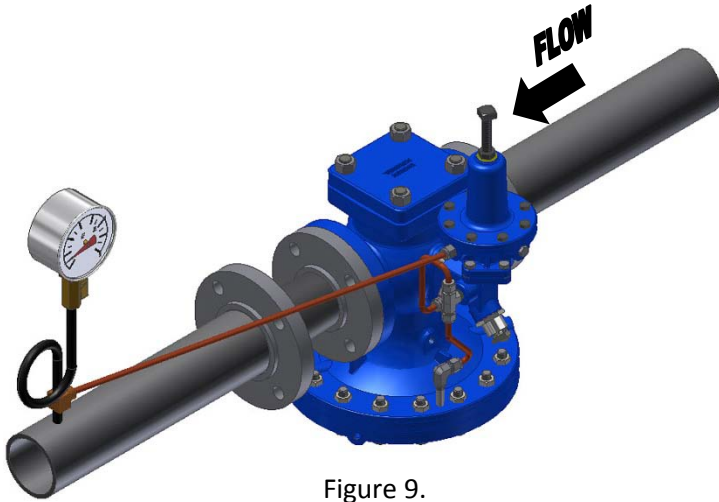


Figure 9.

Downstream facing sensing port used.
Plug secondary sensing port.

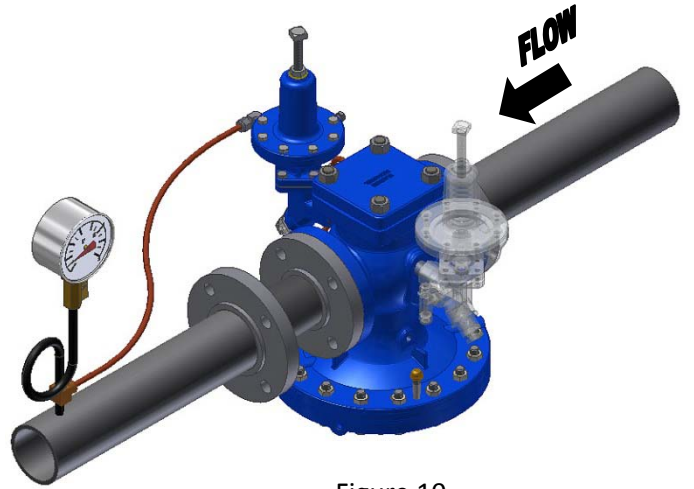


Figure 10.

Secondary sensing port used.
Plug upstream facing sensing port.

Installing Pilot Sense Line

Pressure gauge should be installed downstream of valve at least 10 pipe diameters from start of increased pipe diameter where there will be a minimum amount of turbulence. Pilot sensing line should be connected from the pilot to the downstream pressure gauge and sloped downward away from the valve to keep condensate out of the pilot valve.

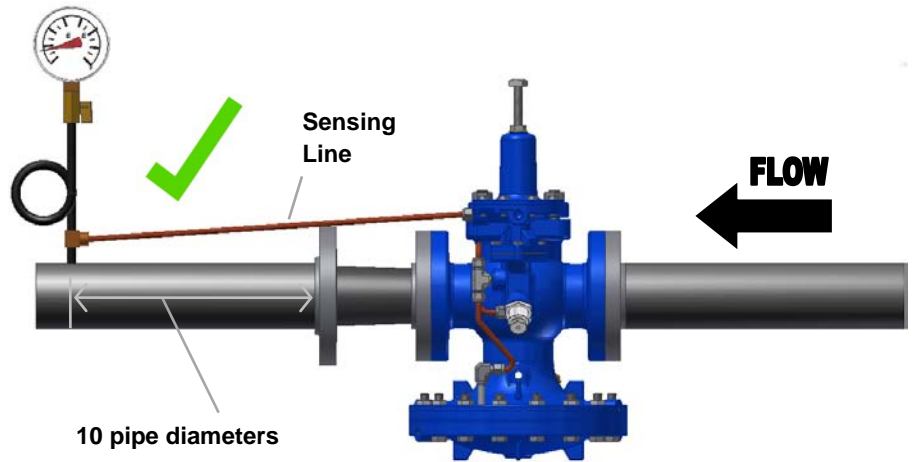


Figure 11.

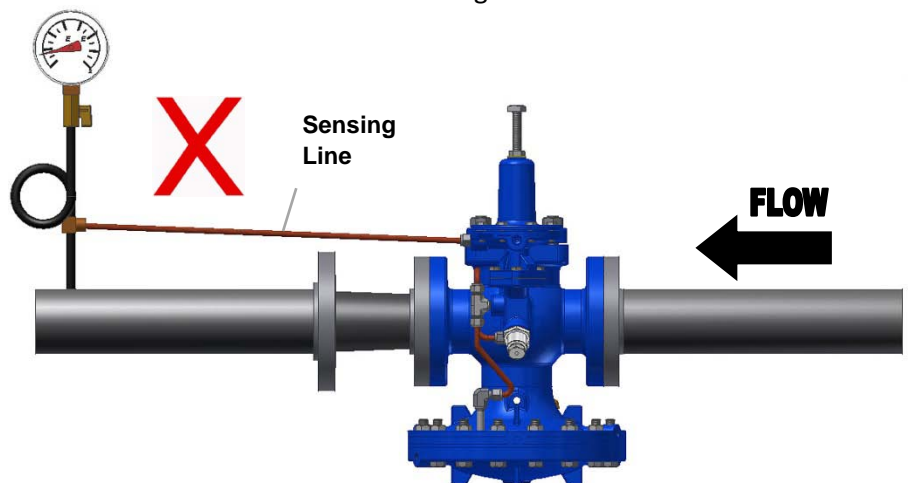


Figure 12.