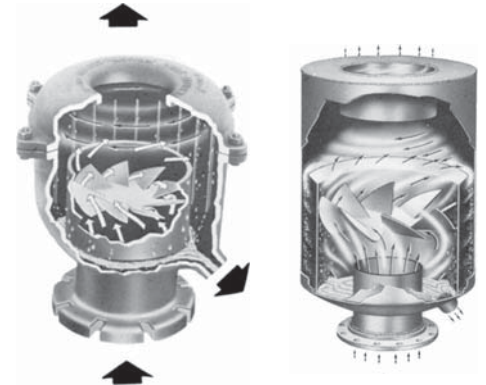


Cast Iron, Carbon Steel & Stainless Steel

| Model | EHC | EHF | EHFSS |
|---------------|---|------------------------------------|-----------------|
| Sizes | 1", 1 1/2", 2", 2 1/2", 3", 4", 5", 6", 8", 10" | 2, 2 1/2", 3", 4", 5", 6", 8", 10" | |
| Connections | NPT, 125# FLG | 150# FLG | |
| Body Material | Cast Iron | Carbon Steel | Stainless Steel |



Typical Applications

Exhaust Heads are used to separate entrained water from flash steam prior to being discharged or vented to the atmosphere. Typically used to eliminate water damage to rooftops and other equipment.

How It Works

Exhaust heads use the cyclonic effect where the velocity of the steam is used to generate centrifugal motion that whirls the steam and throws the entrained water to the wall of the unit where it is released to a drain below. Correct sizing of exhaust heads for steam service is important in order to assure the highest possible desiccation of the steam.

Sample Specification

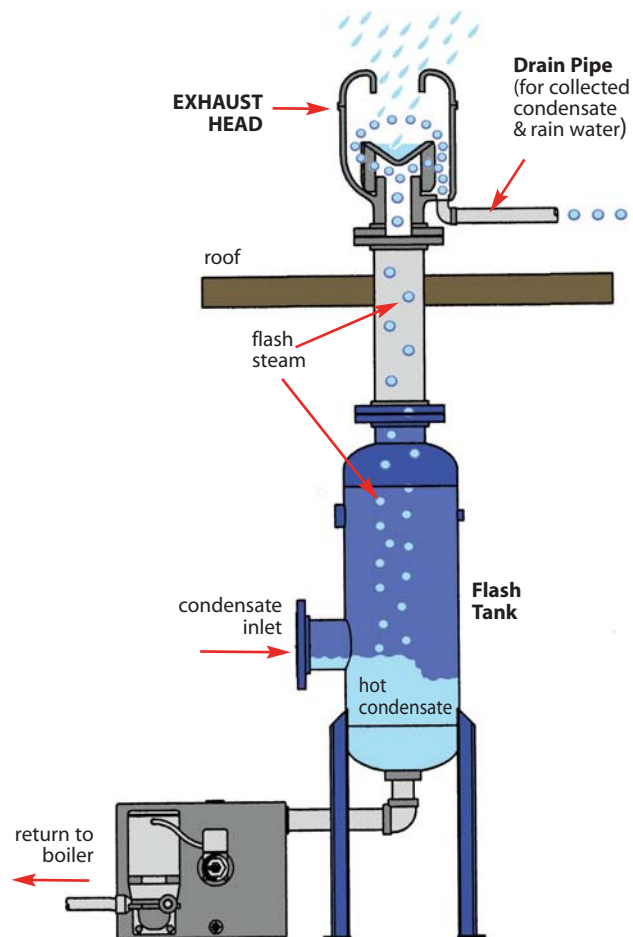
Exhaust Head shall be a cyclone design for vertical venting to atmosphere. Unit shall have a vortex containment plate feature to prevent re-entrainment of liquid. Exhaust Head to be constructed in cast iron, carbon steel or stainless steel and available in FNPT and flanged connections.

Installation

Exhaust Head must be installed at the top of a vertical vent pipe. Exercise standard piping and structural practices when installing this unit. Proper drainage of the exhaust head is essential for proper operation. Pipe the drain Connection of the exhaust head to a roof gutter or down spout.

Exhaust Head Use:

The EHC Series Exhaust Heads are used to separate entrained water from flash steam prior to being vented to the atmosphere. Typically used to eliminate water damage to rooftops and other equipment.



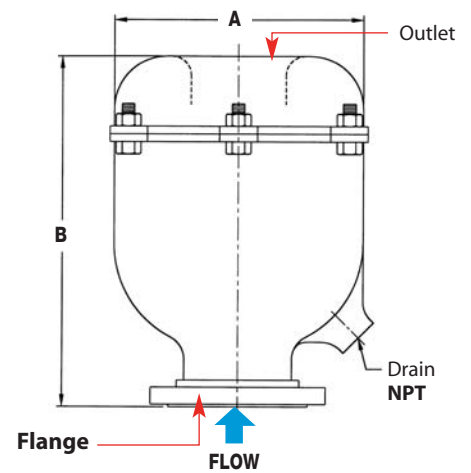
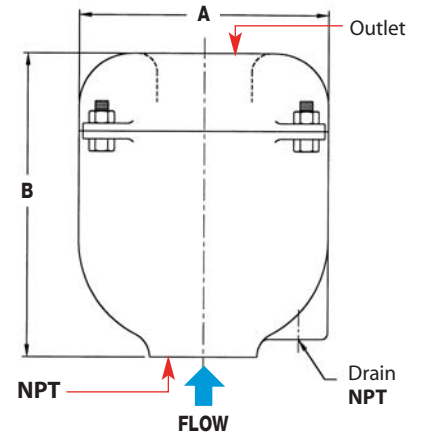
Cast Iron, Carbon Steel & Stainless Steel



EHC (Cast Iron)

| EHC DIMENSIONS (Inches), CAPACITIES (lbs/hr) | | | | | | | |
|--|------------------|------------------------|--------------------------------|--------------------------------|-------------------------------|--------------|-----------|
| Inlet Size | Inlet Connection | Model Code (Cast Iron) | A | B | Drain NPT | Weight (lbs) | Capacity* |
| 1" | NPT | EHC14-N | 5 ¹ / ₄ | 6 ¹ / ₈ | 1/2 | 12 | 160 |
| 1 ¹ / ₂ " | NPT | EHC16-N | 5 ¹ / ₄ | 6 ¹ / ₈ | 1/2 | 12 | 370 |
| 2" | NPT | EHC17-N | 7 ¹ / ₂ | 8 ⁷ / ₈ | 3/4 | 32 | 1,000 |
| 2 ¹ / ₂ " | NPT | EHC18-N | 7 ¹ / ₂ | 8 ⁷ / ₈ | 3/4 | 32 | 1,000 |
| 3" | NPT | EHC19-N | 8 ³ / ₄ | 11 ¹ / ₄ | 3/4 | 50 | 2,100 |
| 4" | NPT | EHC20-N | 10 | 11 ⁷ / ₈ | 1 | 50 | 2,700 |
| 3" | 125# FLG | EHC19-F125 | 8 ³ / ₄ | 15 | 3/4 | 60 | 2,700 |
| 4" | 125# FLG | EHC20-F125 | 10 | 15 | 1 | 82 | 2,700 |
| 5" | 125# FLG | EHC21-F125 | 13 | 14 | 1 ¹ / ₂ | 90 | 4,000 |
| 6" | 125# FLG | EHC22-F125 | 14 ³ / ₄ | 18 ³ / ₄ | 1 ¹ / ₂ | 137 | 6,000 |
| 8" | 125# FLG | EHC23-F125 | 18 | 20 | 2 | 170 | 10,500 |
| 10" | 125# FLG | EHC24-F125 | 23 | 24 | 2 | 335 | 16,000 |

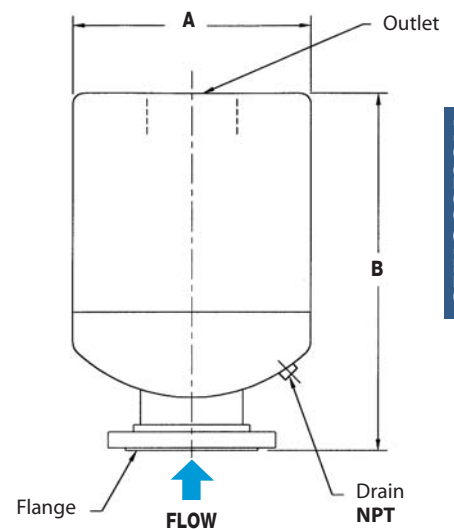
* Capacity in pounds of exhaust steam per hour at atmospheric pressure of 14.7 PSIA.
Note: For Stainless Steel versions replace EHF with EHFSS in model code. Example: EHFSS17-150



EHF (Carbon Steel) & EHFSS (Stainless Steel)

| EHF & EHFSS DIMENSIONS (Inches) & CAPACITIES (lbs/hr) | | | | | | | |
|---|------------------|---------------------------|--------------------------------|----|-------------------------------|--------------|-----------|
| Inlet Size | Inlet Connection | Model Code (Carbon Steel) | A | B | Drain NPT | Weight (lbs) | Capacity* |
| 2" | 150# FLG | EHF17-F150 | 8 ⁵ / ₈ | 16 | 1 | 95 | 1,000 |
| 2 ¹ / ₂ " | 150# FLG | EHF18-F150 | 8 ⁵ / ₈ | 16 | 1 | 110 | 1,000 |
| 3" | 150# FLG | EHF19-F150 | 10 ³ / ₄ | 19 | 1 ¹ / ₂ | 115 | 1,600 |
| 4" | 150# FLG | EHF20-F150 | 14 | 24 | 1 ¹ / ₂ | 125 | 2,700 |
| 5" | 150# FLG | EHF21-F150 | 16 | 26 | 1 ¹ / ₂ | 145 | 4,000 |
| 6" | 150# FLG | EHF22-F150 | 18 | 30 | 1 ¹ / ₂ | 177 | 6,000 |
| 8" | 150# FLG | EHF23-F150 | 20 | 36 | 2 | 320 | 10,500 |
| 10" | 150# FLG | EHF24-F150 | 24 | 42 | 2 | 340 | 16,000 |

* Capacity in pounds of exhaust steam per hour at atmospheric pressure of 14.7 PSIA.



PIPELINE
ACCESSORIES