



428 Jones Boulevard Phone: (610)495-5131
Limerick Airport Business Center Fax: (610)495-5134
Pottstown, PA 19464 www.watsonmcdaniel.com

SERIES AV2000C

THERMOSTATIC AIR VENT

INSTALLATION INSTRUCTIONS

INSTRUCTION PART NO. 2219800

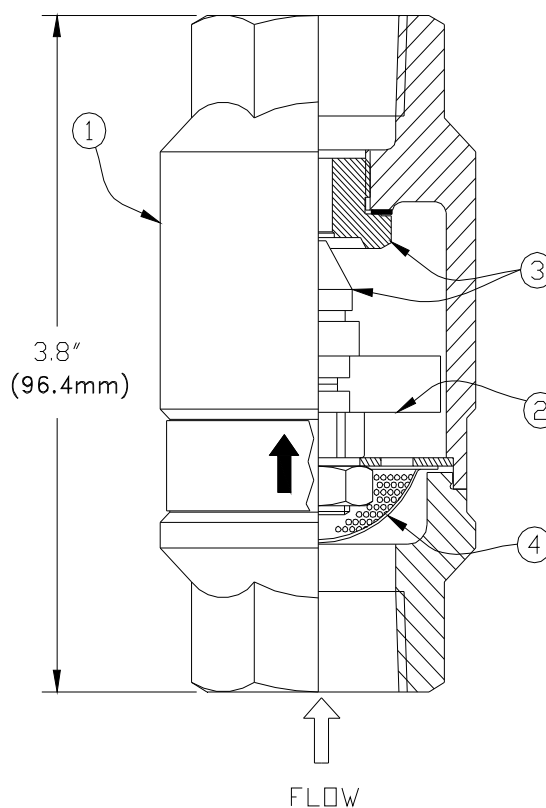
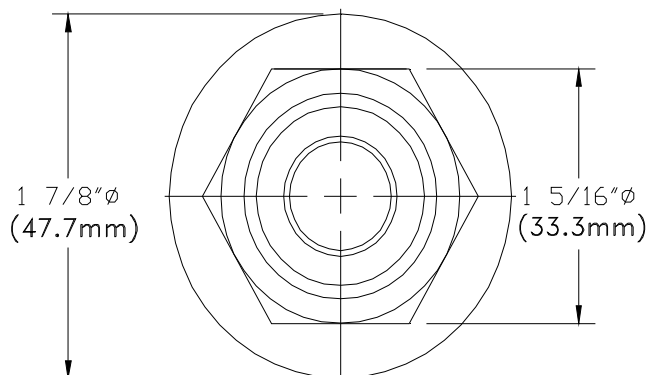
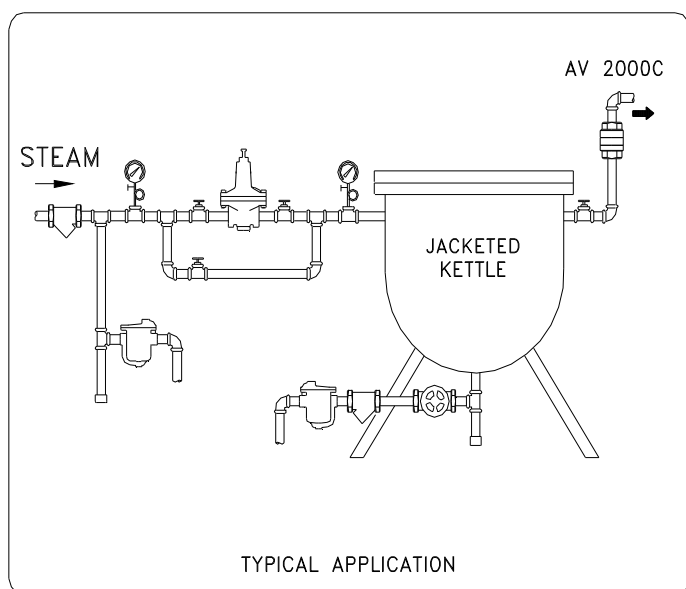
REVISION 2

HOW IT WORKS

The AV 2000C Air Vent is designed for use on steam systems to remove air and non-condensable gases. On start up the Valve (3) is full open ensuring excellent venting characteristics allowing maximum heat transfer.

INSTALLATION

1. The Air Vent should be mounted vertically at the highest point of the piping system or equipment where air collects. The outlet should be piped to a safe place.
2. Before installing the air vent, blow out piping thoroughly to remove loose scale and dirt. Use pipe dope or teflon tape sparingly when attaching the air vent to the pipe. Observe the pressure limitation shown on the label.
3. Discharge piping should be amply sized to avoid excessive back pressures.



MAXIMUM OPERATING CONDITIONS

PMO 650 PSIG
TMO Sat. Steam Temp.
PMA 1032 PSIG @ 100°F
TMA 750°F @ 800 PSIG

MATERIALS

1. BodyStainless Steel, ASTM A351-CF3
2. Thermal ElementStainless Steel
3. Valve & Seat.Stainless Steel, AISI 416
4. Strainer ScreenStainless Steel

Each Watson McDaniel Company Product is warranted against defects in material and workmanship for one year from date of shipment. This warranty extends to the first retail purchaser only. All defective material must be returned to the person from whom you purchased the Product, transportation prepaid, free of any liens or encumbrances, and if found to be defective will be repaired free of charge or replaced, at the warrantor's or seller's option. If the material is replaced, any replacement will be invoiced in the usual manner and after inspection of alleged defective material an adjustment will be made for depreciation caused by purchaser's use. In no event will Watson McDaniel Company be liable to do more than refund the original contract price. Incidental and consequential damages are excluded, whether under this warranty or otherwise. All implied warranties, including warranties of merchantability and fitness for a particular purpose, are disclaimed and excluded.