



SPENCE ENGINEERING COMPANY, INC.

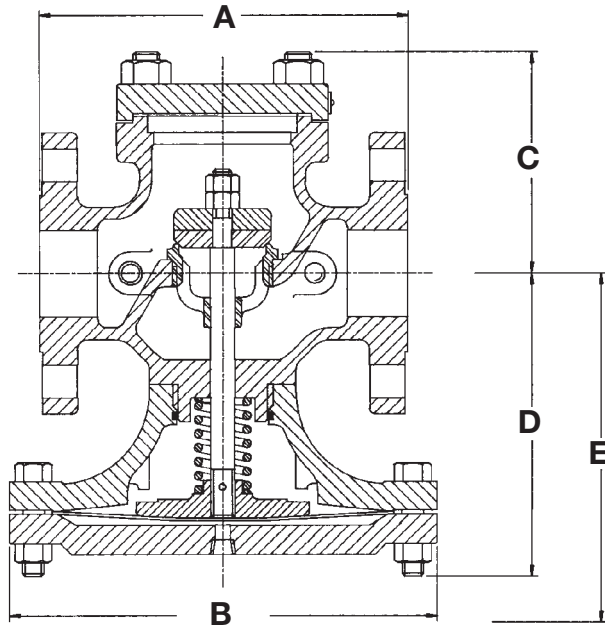
Technical Data

SD 3001F

A division of CIRCOR International, Inc.

150 Coldenham Road, Walden, New York 12586-2035 • Phone (845) 778-5566 • Fax: (845) 778-1072 • www.spenceengineering.com

SD 3001F/0707



TYPE E MAIN VALVE

TYPE E Main Valve

Sizes 3/8" through 12"

The Spence Type E Main Valve is of normally closed, single seat design featuring packless construction, balanced metal diaphragms and protected main spring.

When controlled by one or more of the various types of Spence Pilots, this valve will accomplish most functions required of a regulator.

CAST IRON RATINGS (Maximum Inlet Conditions)

Valve Ends _____ Pressure _____ (Temperature) _____

- ANSI NPT Screwed.....250 PSIG.....(450°F)
- ANSI 125 Flanged.....125 PSIG.....(450°F)
- ANSI 250 Flanged.....250 PSIG.....(450°F)

CAST STEEL RATINGS (Maximum Inlet Conditions)

Valve Ends _____ Pressure _____ (Temperature) _____

- ANSI NPT Screwed.....300 PSIG.....(600°F)†
- ANSI 150 Flanged.....150 PSIG.....(600°F)
- ANSI 300 Flanged.....300 PSIG.....(600°F)†
- ANSI 600 Flanged.....600 PSIG.....(600°F)†

†750°F construction available on request.

DIMENSIONS (inches) AND WEIGHTS (pounds)

SIZE	FACE TO FACE DIMENSIONS					OTHER DIMENSIONS					APPROX. WT.					
	A					B	C		D	E						
	ANSI NPT	ANSI 125,150	ANSI 250	ANSI 300	ANSI 600			ANSI 600			ANSI NPT	ANSI 125	ANSI 150	ANSI 250	ANSI 300	ANSI 600
3/8	4 3/8	—	—	—	—	5 7/8	2 3/4	—	5 1/4	7 3/8	14	—	—	—	—	—
1/2	4 3/8	—	—	—	6	5 7/8	2 3/4	2 3/4	5 1/4	7 3/8	14	—	—	—	—	20
3/4	4 3/8	—	—	—	6 3/8	6 1/2	2 7/8	3 7/8	5 1/2	7 7/8	18	—	—	—	—	28
1	5 3/8	5 1/2	6	6 1/2	6 1/2	7	3 5/8	4 1/4	6 1/4	8 7/8	23	24	26	27	31	32
1 1/4	6 1/2	6 3/4	7 1/4	7 7/8	7 7/8	7 7/8	4 1/8	4 5/8	6 1/2	9 1/8	33	36	37	40	41	45
1 1/2	7 1/4	6 7/8	7 3/8	8	8	8 3/4	4 3/8	5 1/8	7 1/8	9 3/4	43	45	47	51	55	58
2	7 1/2	8 1/2	9	10 1/4	10 1/4	9 7/8	5 1/4	5 3/4	7 5/8	11 1/4	62	67	73	72	78	83
2 1/2	—	9 3/8	10	11 1/4	11 1/4	10 7/8	5 3/4	7 7/8	8 3/8	12 1/8	—	82	95	100	100	130
3	—	10	10 3/4	12 1/4	12 1/4	11 3/4	6 5/8	9 1/8	9 1/4	14 5/8	—	110	125	130	140	175
4	—	11 7/8	12 1/2	12 1/2	14 1/2	14 3/4	7 5/8	10 5/8	11 7/8	18 1/4	—	200	210	235	230	310
5	—	13 5/8	14 1/2	14 1/2	16 1/2	16 7/8	8 1/2	12 1/2	12 1/2	20 1/8	—	280	295	315	310	490
6	—	15 1/8	16	16	17 3/8	19 3/4	10	13 3/4	14 1/8	22 3/8	—	385	420	455	470	655
8	—	19	20	20	21 5/8	22 1/2	11 1/2	15 3/8	17 1/4	27 3/4	—	657	700	735	710	1070
10	—	23 5/8	25	25	—	28	13 3/4	—	23 3/8	36 1/4	—	1260	1240	1430	1300	—
12	—	26 1/2	28	28	—	33	15 7/8	—	25 1/4	41 1/2	—	2070	2060	2145	2140	—

PRINTED IN U.S.A.

RATED FLOW COEFFICIENTS (Cv)

SEAT FACTOR	REGULATOR SIZE															
	3/8	1/2	3/4	1	1 1/4	1 1/2	2	2 1/2	3	4	5	6	8	10	12	
Full	1.5	2.8	5.4	8.8	14.1	19.8	31	44	74	109	169	248	444	706	1113	
Full 75 %	—	2.1	4.0	6.6	10.6	14.8	23.3	33	56	82	127	186	333	530	835	
Full 50 %	—	1.4	2.7	4.4	7.0	9.9	15.5	22	37	55	85	124	222	353	557	
Normal	.65	1.5	4.8	7.5	10.4	14.6	17.6	24	43	78	115	151	249	377	631	
Normal 75 %	—	—	—	—	—	—	—	18	33	59	87	114	187	283	474	
Normal 50 %	—	—	—	—	—	—	—	12	22	39	58	76	125	189	316	

OPERATING PRINCIPLE

The regulator is operated by initial steam or fluid pressure. It is normally closed, being held so by initial pressure on the disc and by an internal main spring. When the pilot is opened (see pilot instructions), initial pressure flows through the pilot to the 8B tee. Bleedport 4A restricts the flow and pressure builds under the diaphragm and opens the main valve. The 5A steadies the operation of the regulator.

Delivery pressure feeds back through the control pipe to the pilot diaphragm. As this pressure approaches a balance with the thrust of the adjusting spring, the pilot throttles the loading pressure. In turn, the main valve takes a position established by the loading pressure where just enough steam flows to maintain the set delivery pressure.

RECOMMENDED INSTALLATION

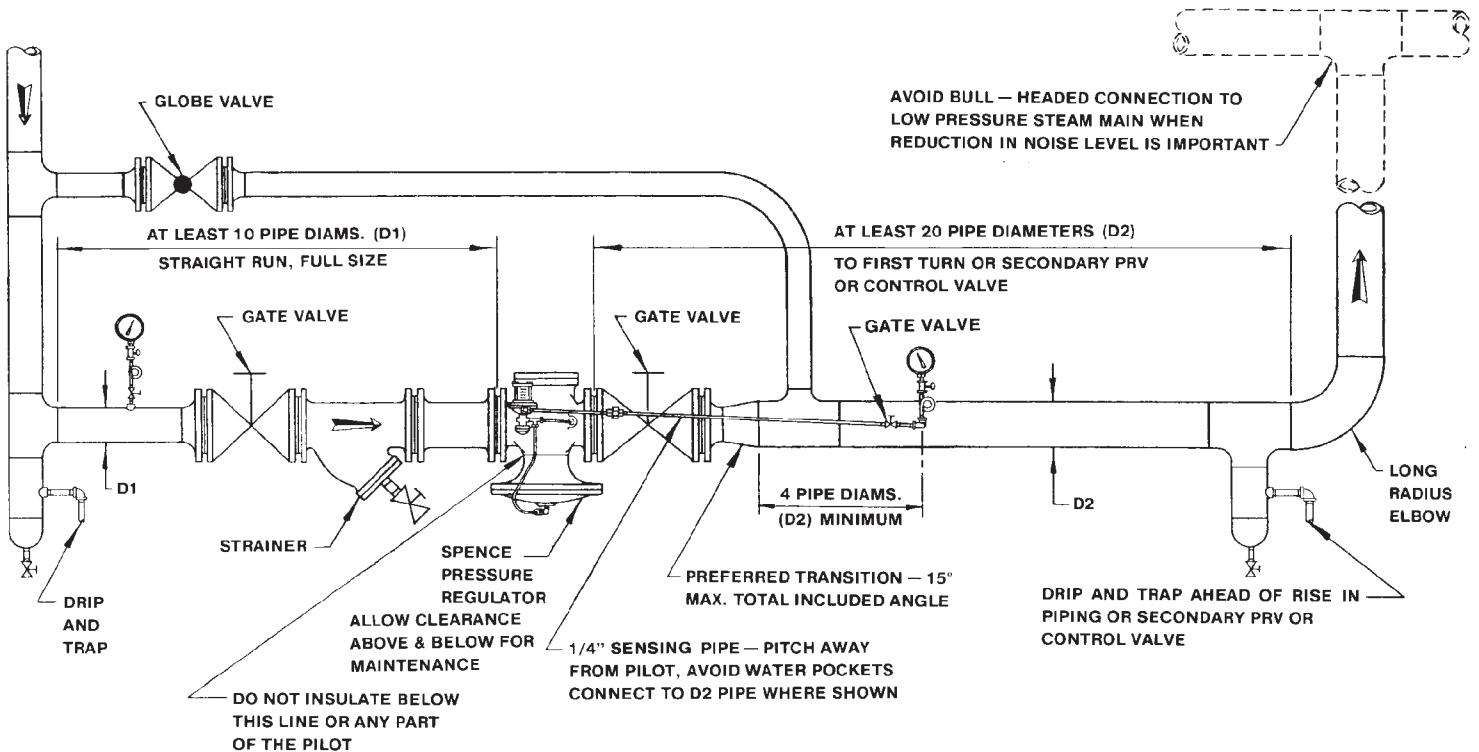


FIGURE 1A - Typical Installation

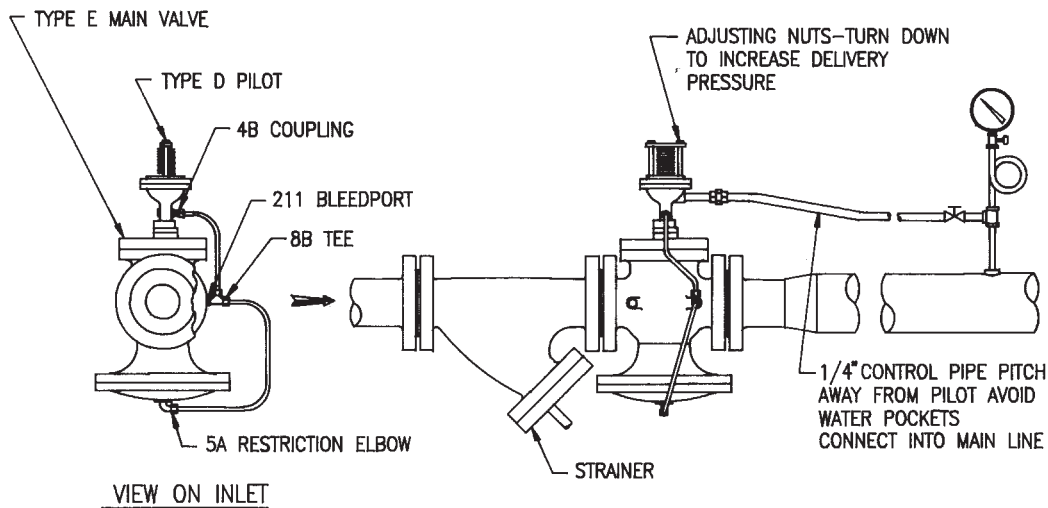


FIGURE 1B - Installation of Integrally Mounted Pilot

INSTALLATION

PLANNING

Locate the valve in a straight run of horizontal pipe. Allow headroom above the valve for access through the blind flange. Provide clearance for stem withdrawal underneath. Prevent water hammer and erratic operation by installing traps to provide proper drainage before and after the valve and before secondary PRV or control valve. Avoid damaging effects of scale and dirt in pipe lines by using a strainer as shown in Figure 1. Provide a 3-valve by-pass to facilitate inspection without interrupting service.

To eliminate excessive noise and erratic regulation with steam and other compressible fluids, enlarge the delivery pipe size to effect a reasonable flow velocity at the reduced pressure. A tapered transition is recommended. If possible, avoid a sharp turn close to the regulator outlet and a bull-headed tee connection to the low pressure main.

Install initial and delivery pressure gages to indicate performance. If the pressure rating of the delivery system or connected equipment is less than the initial steam pressure, provide a safety valve.

MAIN VALVE

Flush the piping system thoroughly to clear it of welding beads, scale, sand, etc. Mount the main valve with diaphragm chamber down and arrow on body pointing in the direction of flow. Screwed end valves should be mounted in unions.

PILOT

FOR SIDE MOUNT CONSTRUCTION: Mount the pilot on either side of the main valve by means of 1/4" nipple and

union provided. Make this connection on the 1/4" pipe tap at the inlet of the main valve as shown in Figure 2.

FOR INTEGRAL MOUNT CONSTRUCTION: Remove blind flange on pilot and mount on blind flange of main valve using provided bolt.

Screw No. 4A bleedport fitting into the 1/8" pipe tap at the outlet of the main valve body. Note bleed orifice in this fitting – vital to operation of regulator.

Screw No. 8B tee into 1/8" pipe tap in pilot. Select tap facing downstream.

Screw No. 5A elbow containing restriction orifice into 1/8" pipe tap on underside of main valve diaphragm chamber. If the initial pressure or pressure drop is less than 15 psi, a No. 5B open elbow is used.

Connect tubing bends as illustrated in Fig. 2. Valves with condensation chamber are fitted up according to Figure 2.

CONTROL PIPE

Use 1/4" pipe for this line which connects the pilot diaphragm chamber to the desired point of pressure control. Take the control at a point of minimum turbulence. Avoid control immediately at the valve outlet or after a turn. When the delivery pipe expands in size, select a spot at least 4 pipe diameters beyond the point of enlargement. Pitch away from pilot to avoid erratic operation and excessive fouling. Eliminate water pockets. Locate delivery pressure gage in control pipe to show pressure actually reaching pilot diaphragm.

START-UP AND SETTING

On pressure reducing valves like the ED, use by-pass to fill the delivery system and raise pressure to slightly below normal required. Close pilot by releasing compression on adjusting spring. See Figure 2. Open 1/4" control pipe valve. Crack outlet stop valve. Crack inlet stop valve. Blow down strainer. **Caution: Never open a reducing valve without positive indication that the high side is clear of condensate.**

Open inlet stop valve and gradually compress adjusting spring until the valve opens and takes control at desired pressure. Alternately choke down on the by-pass and open outlet stop valve until the regulator is on the line. See individual instructions for other pilots.

HYDROSTATIC TEST PROCEDURE

Install pilot according to instructions. Fully compress pilot spring and open inlet and outlet stop valves before filling system. **SLOWLY** fill system from inlet or high pressure side of regulator. Bleed off trapped air. **SLOWLY** develop test pressure up to **300 PSIG MAXIMUM**. If a higher pressure is required **CONTACT FACTORY FIRST**. Test pressures may cause normally acceptable leakage at the diaphragm joint. Consult factory for hydrostatic test for other types of regulators.

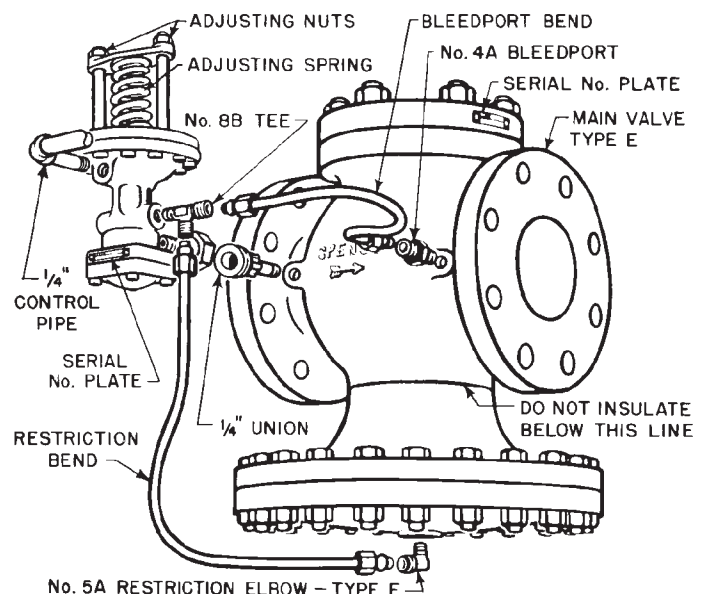


FIGURE 2

TROUBLE SHOOTING

FAILURE TO OPEN OR SAGGING DELIVERY PRESSURE

1. Adjusting spring on pilot may have been tampered with.
2. Initial pressure may be down due to partially closed supply valve, clogged strainer or other obstruction.
3. Orifice in No. 5A restriction elbow may be plugged. No. 4A bleedport fitting may have been omitted and an open coupling substituted.
4. Control pipe may be plugged. Most likely points of obstruction are at shutoff valve and entrance to delivery main.
5. Main diaphragm may be broken. Test with air or water before dismantling.

FAILURE TO CLOSE OR OVER-RIDING DELIVERY PRESSURE

1. Adjusting spring on pilot may have been tampered with.
2. Orifice in bleedport No. 4A may be plugged.
3. By-pass valve may be leaking.
4. On pressure regulators like the ED, the main valve or pilot may be held open by foreign matter in seat. To determine which valve leaks, first close stop valve and 1/4" control pipe valve. Then remove bleedport bend so pilot will exhaust to atmosphere. Crack inlet stop valve. Steam will issue from No. 8B tee. Release compression on adjusting spring to see if pilot closes tight. Open and close several times to wash seat. Steam blowing back from bleedport means main valve disc is held open by foreign matter. Steam may wash the obstruction from the seat if the valve is made to open wide. This can be accomplished, even at light loads, if the control point is beyond the outlet stop valve. Reassemble bleedport bend and place regulator in operation. Then, slowly open and close outlet stop valve.

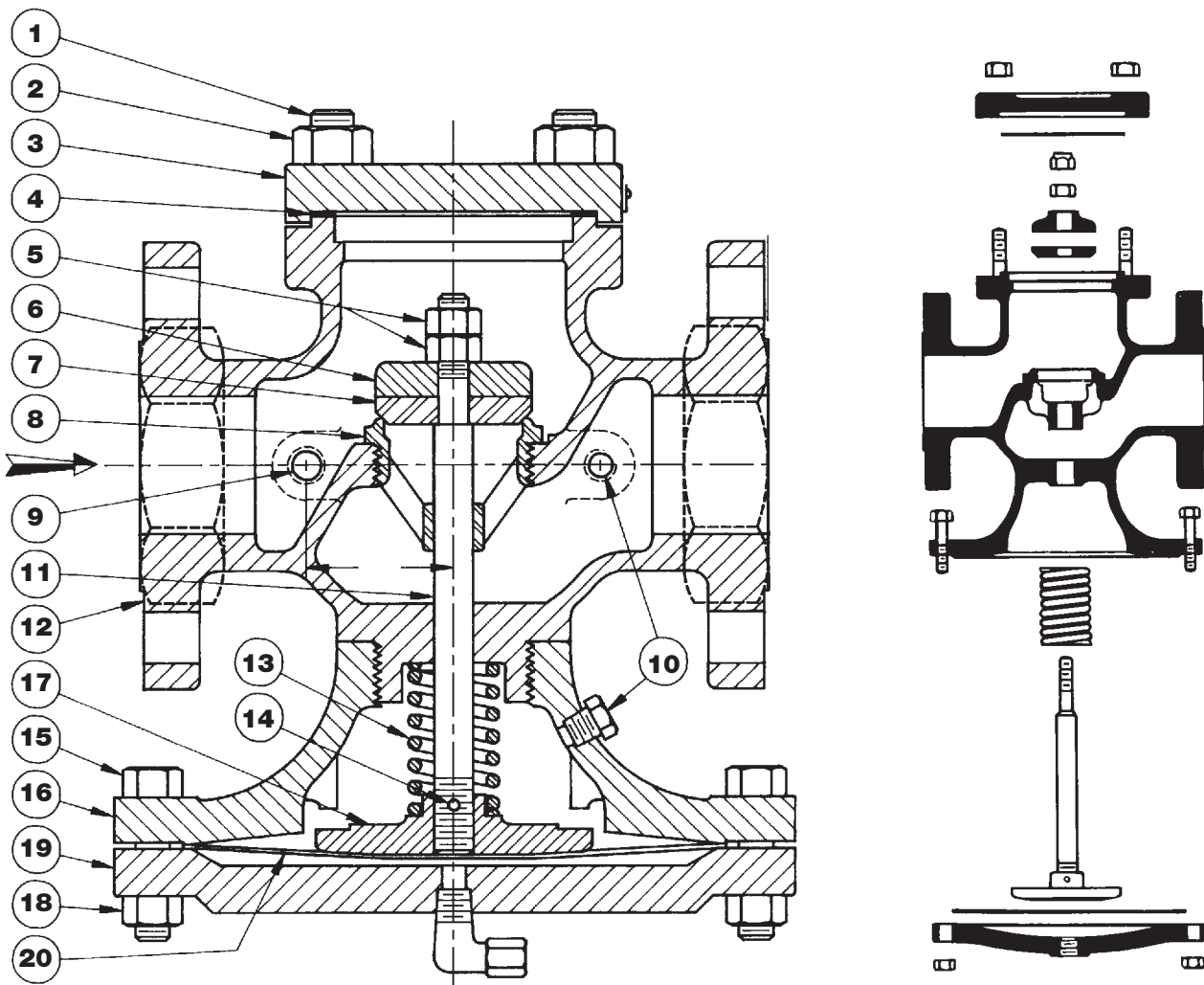


FIGURE 3

MAINTENANCE

INSPECTION

Under normal conditions, complete dismantling at regular intervals is not recommended. A valve kept relatively free of dirt will function for years with minimum attention.

After the first few days of operation and twice a year, the following should be checked.

1. Inspect for dirt collected at bleedport No. 4A and restriction elbow No. 5A.
2. Inspect all joints for leakage. Keep bolts tight. Never allow a leak to persist.

DISMANTLING MAIN VALVE

Connect a source of air or water pressure which can be adjusted by hand to the No. 5A restriction elbow. Apply pressure to jack valve open and prevent stem from turning while removing stem nuts. Usually 50 to 60 psi will suffice. Use penetrating oil on the threads.

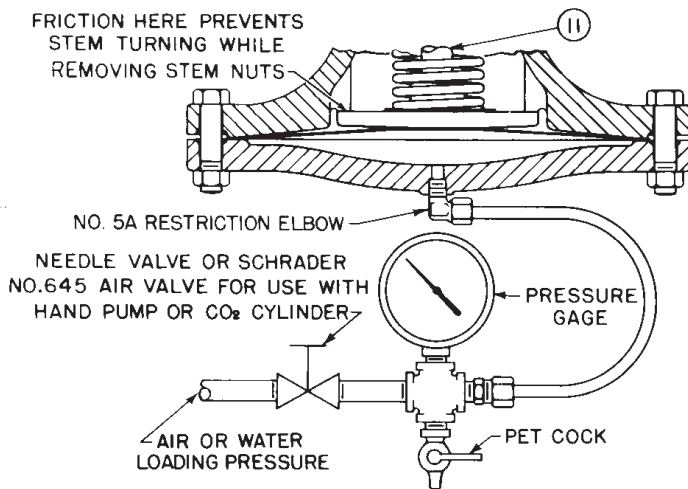


FIGURE 4

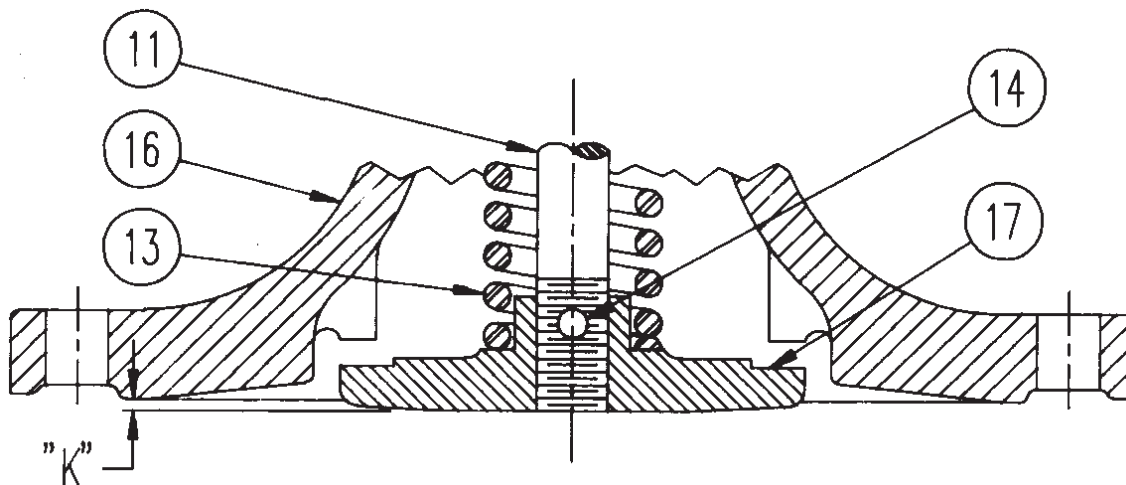


FIGURE 5

REPLACING SEAT RINGS

These joints should be made up with Copaltite, Permatex or equal high temperature gasket compound. Remove old compound from body and seat ring with a wire brush. Apply new compound sparingly to both parts, threads and shoulders. Let stand until tacky before assembling.

GRINDING IN

Seats and discs should never require more than the lightest touch up with very fine (400 grit) grinding compound. Heavy grinding will produce galling, wider seating surface and a groove in the disc, all of which tend to cause leakage. Reface a damaged surface before attempting to grind it in. Grind sparingly.

Main stem (11) is slotted for rotation with a screwdriver, Valve spring (13) is omitted from the assembly during grinding. Slip the stem into its normal position. apply compound to the disc, place it on the stem and tighten with one stem nut.

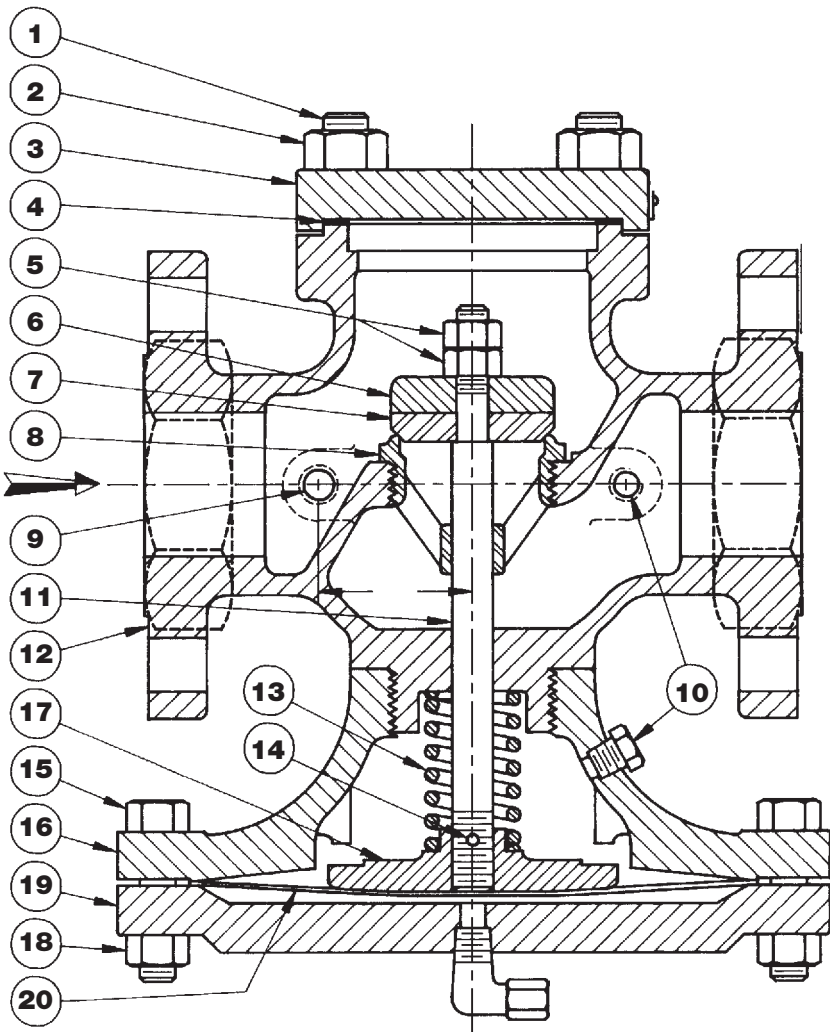
After grinding, disassemble and clean all parts.

VALVE SETTING

Valve setting is gaged at K to establish correct stem length and diaphragm position. Dimension K is supplied with each replacement stem. For metal diaphragm valves, K is cast on the upper face of pressure plate (17) (Fig. 3).

To install new stem (11), fasten disc (7) firmly on stem with stem nut. Insert stem and disc assembly in valve and screw on pressure plate (17). Omit spring (13) for this operation. Hold disc on seat and adjust position of pressure plate until valve setting K is reached. Push pressure plate against stops in base (16). Remove disc, drop out pressure plate and stem, drill and insert dowel pin (14) to lock the joint. Grind off stem projection flush with face of pressure plate.

VALVE SIZE	TYPE E	
	HOOD (K)	TOTAL
3/8	1/32	3/32
1/2	3/64	7/64
3/4	3/64	1/8
1	1/16	5/32
1-1/4	5/64	3/16
1-1/2	3/32	7/32
2	7/64	1/4
2-1/2	1/8	9/32
3	9/64	3/8
3-1/2	5/32	11/32
4	3/16	13/32
5	7/32	1/2
6	9/32	19/32
8	11/32	3/4
10	7/16	31/32
12	9/16	1-1/4



When ordering parts, it is essential that the valve type, size, service and serial number be stated.

Select part by item number, but order by part number.

Specify complete part number when ordering.

CAST IRON PARTS LIST - 3/8" to 2"

ITEM NO.	PART NAME	MATERIAL	VALVE SIZE						
			3/8	1/2	3/4	1	1 1/4	1 1/2	2
1	Stud	Steel	05-05518-00	04-05518-00	04-05518-00	04-10118-00	05-05507-00	04-05443-00	04-10119-00
2	Nut	Steel	05-02847-00	05-02847-00	05-02847-00	05-02851-00	05-02854-00	05-02856-00	05-02860-00
3	Blind Flange	Cast Iron	04-02213-01	04-02213-01	04-02171-01	04-02173-00	04-02176-00	04-02178-00	04-02180-00
4	*Gasket	Non-Asbestos	05-02361-01	05-02361-01	05-02381-01	05-02362-01	05-02382-01	05-02365-01	05-02366-01
5	*Stem Nut	Steel	05-02968-00	05-02968-00	05-02969-00	05-02970-00	05-02970-00	05-02971-00	05-02971-00
6	Muffling Plate	Cast Iron	—	—	—	—	—	—	04-03550-01
7	*Disc	Stainless Steel	04-01790-02	04-01800-02	04-01813-02	04-01832-02	04-01850-02	04-01870-02	04-01888-02
8	*Seat Ring	Stainless Steel	04-04109-01	04-04066-01	04-04075-01	04-04084-01	04-04092-01	04-04496-01	04-11544-00
9	Pipe Plug 1/4"	Steel	04-03772-00	04-03772-00	04-03772-00	04-03772-00	04-03772-00	04-03772-00	04-03772-00
10	Pipe Plug 1/8"	Steel	04-03769-00	04-03769-00	04-03769-00	04-03769-00	04-03769-00	04-03769-00	04-03769-00
11	*Stem	Stainless Steel	04-05306-01	04-05306-01	04-05233-01	04-05237-02	04-05248-01	04-05251-02	04-05262-01
12	NPT Body	Cast Iron	—	—	—	—	—	—	—
	125 Body	Cast Iron	—	—	—	—	—	—	—
	250 Body	Cast Iron	—	—	—	—	—	—	—
13	*HP Spring	Steel	05-09106-00	05-09106-00	05-09107-00	05-09108-01	05-09110-00	05-09110-00	05-09368-02
	LP Spring	Steel	05-05000-01	05-05000-01	05-04987-01	05-04979-01	05-05010-01	05-05010-01	05-04989-01
14	*Dowel Pin	Steel	05-03243-00	05-03243-00	05-03245-00	05-03245-00	05-03248-00	05-03248-00	05-03248-00
15	Diaphragm Bolt	Steel	05-04771-00	05-04771-00	05-04774-00	05-04774-00	05-04774-00	05-04775-00	05-04780-00
16	Base	Cast Iron	04-00475-00	04-00475-00	04-00467-00	04-00476-00	04-00468-00	04-00472-00	04-00469-00
17	*Pressure Plate	Cast Iron	04-03695-00	04-03695-00	04-03579-00	04-03580-00	04-03582-00	04-03581-00	04-03584-01
18	Diaphragm Nut	Steel	05-02872-00	05-02872-00	05-02874-00	05-02874-00	05-02874-00	05-02874-00	05-02877-00
19	Hood	Cast Iron	04-02569-00	04-02569-00	04-02572-00	04-02573-00	04-02576-00	04-02577-00	04-02580-01
20	*Diaphragm	Stainless Steel	04-01629-01	04-01629-01	04-01662-00	04-01632-00	04-01664-00	04-01635-00	04-01638-00
	Repair Kit - High Pressure		07-07746-00	07-07747-00	07-07748-00	07-07749-00	07-07750-00	07-07751-00	07-07752-00
	Repair Kit - Low Pressure		—	—	20112	08-11978-00	08-11979-00	08-09124-00	08-11981-00

*These parts furnished in Repair Kit

CAST IRON PARTS LIST – 2½" to 8"

ITEM NO.	PART NAME	MATERIAL	VALVE SIZE					
			2½	3	4	5	6	8
1	Stud 125	Steel	04-10119-00	04-05443-00	04-10119-00	04-10120-00	04-10120-00	04-10120-00
	Stud 250	Steel	04-05448-00	04-10119-00	04-05448-00	04-05449-00	04-05449-00	04-05455-0
2	Nut 125	Steel	05-02860-00	05-02856-00	05-02860-00	05-02877-00	05-02860-00	05-02860-00
	Nut 250	Steel	05-02862-00	05-02860-00	05-02862-00	05-02862-00	05-02862-00	05-02862-00
3	Blind Flange 125	Cast Iron	04-02185-00	04-02157-00	04-02158-00	04-02160-00	04-02165-00	04-02167-00
	Blind Flange 250	Cast Iron	04-02183-00	04-02186-00	04-02159-00	04-02161-00	04-02163-00	05-02166-00
4	*Gasket	Non-Asbestos	05-02367-01	05-02369-01	05-02371-01	05-02372-01	05-02374-01	05-02375-01
5	*Stem Nut	Steel	05-02972-00	05-02973-00	05-02974-00	04-02975-00	04-02976-00	04-02977-00
6	Muffling Plate	Cast Iron	04-03515-00	04-03516-00	04-03518-00	04-03519-00	04-03520-00	04-03524-00
7	*Disc	Stainless Steel	04-01906-01	04-01918-00	04-01931-00	04-01938-00	04-01995-00	04-01691-00
8	*Seat Ring	Stainless Steel	04-11539-00	04-11484-00	04-11565-00	04-11700-01	04-15142-00	04-15144-00
9	Pipe Plug 1/4"	Steel	04-03772-00	04-03772-00	04-03772-00	04-03772-00	04-03772-00	04-03772-00
10	Pipe Plug 1/8"	Steel	04-03769-00	04-03769-00	04-03769-00	04-03769-00	04-03769-00	04-03769-00
11	*Stem	Stainless Steel	04-05260-02	04-05279-01	04-05282-02	04-05285-01	04-05288-01	04-05292-01
12	125 Body	Cast Iron	—	—	—	—	—	—
	250 Body	Cast Iron	—	—	—	—	—	—
13	*HP Spring	Steel	05-08257-02	05-09112-02	05-09114-02	05-09115-02	05-09116-01	05-09118-01
	LP Spring	Stainless Steel	05-05021-01	05-05057-01	05-12267-00	05-12268-00	05-12269-00	05-12270-00
14	*Dowel Pin	Steel	05-03252-00	05-03254-00	05-03254-00	05-03258-00	05-03258-00	05-03261-00
15	Diaphragm Bolt	Steel	05-04779-00	05-04780-00	05-04782-00	05-04782-00	05-04786-00	05-04788-00
16	Base	Cast Iron	04-00471-00	04-00470-00	04-00473-01	04-00478-00	04-00479-00	04-00474-00
17	*Pressure Plate	Cast Iron	04-03583-00	04-03585-01	04-03587-00	04-03588-01	04-03589-02	04-03591-00
18	Diaphragm Nut	Steel	05-02877-00	05-02877-00	05-02877-00	05-02877-00	05-02881-00	05-02881-00
19	Hood	Cast Iron	04-02581-00	04-02584-00	04-02588-01	04-02591-00	04-02593-00	04-02595-00
20	*Diaphragm	Stainless Steel	04-01641-00	05-02038-00	05-01647-00	05-01649-00	05-01651-00	05-01653-00
Repair Kit - High Pressure			08-08148-01	08-08567-01	08-08568-01	08-09738-01	08-09720-00	22800
Repair Kit - Low Pressure			—	20113	20114	—	—	—

*These parts furnished in Repair Kit

CAST STEEL PARTS LIST – 3/8" to 2"

ITEM NO.	PART NAME	MATERIAL	VALVE SIZE						
			3/8	1/2	3/4	1	1¼	1½	2
1	Stud NPT, 150, 300	Steel	05-05518-00	05-05518-00	05-05518-00	05-05506-00	05-05507-00	05-05509-00	05-05510-00
	Stud 600	Steel	—	—	05-05507-00	05-05507-00	05-05464-00	05-05501-00	05-05513-00
2	Nut NPT, 150, 300	Steel	05-02848-00	05-02848-00	05-02848-00	05-02852-00	05-02855-00	05-02857-00	05-02861-00
	Nut 600	Steel	—	—	05-02855-00	05-02855-01	05-02859-00	05-02859-00	05-02863-00
3	Blind Flange NPT, 150, 300	Steel	04-02188-00	04-02188-00	04-02190-00	04-02192-00	04-02194-00	04-02196-00	04-02198-00
	Blind Flange 600	Steel	—	—	04-02191-00	04-02193-00	05-02195-00	04-02196-00	04-02199-00
4	*Gasket	Non-Asbestos	05-02361-01	05-02361-01	05-02381-01	05-02362-01	05-02382-01	05-02365-01	05-02366-01
5	*Stem Nut	Steel	05-02968-00	05-02968-00	0502969-00	05-02970-00	05-02970-00	05-02971-00	05-02971-00
6	Muffler Plate	Cast Iron	—	—	—	—	—	—	04-03550-01
7	*Disc	Stainless Steel	04-01790-02	04-01800-02	04-01813-02	04-01832-00	04-01850-02	04-01870-02	04-01888-02
8	*Seat Ring	Stainless Steel	04-04109-01	04-04066-01	04-04075-01	04-04084-01	04-04092-01	04-04496-01	04-11544-00
9	Pipe Plug 1/4	Steel	04-03772-00	04-03772-00	04-03772-00	04-03772-00	04-03772-00	04-03772-00	04-03772-00
10	Pipe Plug 1/8	Steel	04-03769-00	04-03769-00	04-03769-00	04-03769-00	04-03769-00	04-03769-00	04-03769-00
11	*Stem	Stainless Steel	04-05306-01	04-05306-01	04-05233-01	04-05237-02	04-05248-01	04-05251-02	04-05262-01
12	Body/Base NPT	Steel	—	—	—	—	—	—	—
	Body/Base 150	Steel	—	—	—	—	—	—	—
	Body/Base 300	Steel	—	—	—	—	—	—	—
	BodyBase 600	Steel	—	—	—	—	—	—	—
13	*Spring	Steel	05-09106-00	05-09106-00	05-09107-00	05-09108-01	05-09110-00	05-09110-00	05-09368-02
14	*Dowel Pin	Stainless Steel	05-03244-00	05-03244-00	05-03245-00	05-03245-00	05-03248-00	05-03248-00	05-03248-00
15	Diaphragm Stud	Steel	05-05480-00	05-05480-00	05-05481-00	05-05481-00	05-05481-00	05-05481-00	05-05486-00
16	Base	Steel	(w/Body)	(w/Body)	(w/Body)	(w/Body)	(w/Body)	(w/Body)	(w/Body)
17	*Pressure Plate	Cast Iron	04-03695-00	04-03695-00	04-03579-00	04-03580-00	04-03582-00	04-03581-00	04-03584-01
18	Diaphragm Nut	Steel	05-02848-00	05-02848-00	05-02852-00	05-02852-00	05-02852-00	05-02852-00	05-02857-00
19	Hood	Steel	04-02570-00	04-02570-00	04-02574-00	04-02575-00	04-02578-00	04-02579-00	04-02582-00
20	*Diaphragm	Stainless Steel	04-01629-01	04-01629-01	04-01662-00	04-01632-00	04-01664-00	04-01635-00	04-01638-00
Repair Kit			24140	24141	24142	24144	24146	24148	24150

*These parts furnished in Repair Kit

CAST STEEL PARTS LIST – 2½" to 8"

ITEM NO.	PART NAME	MATERIAL	VALVE SIZE					
			2½	3	4	5	6	8
1	Stud NPT, 150, 300	Steel	05-05510-00	05-05509-00	05-05509-00	05-05511-00	05-05519-00	05-05519-00
	Stud 600	Steel	05-05478-00	05-05478-00	05-05485-00	05-05475-00	05-05475-00	05-05476-00
2	Nut NPT, 150, 300	Steel	05-02861-00	05-02857-00	05-02857-00	05-02861-00	05-02861-00	05-02861-00
	Nut 600	Steel	05-02861-00	05-02861-00	05-02863-00	05-02865-00	05-02865-00	05-02865-00
3	Blind Flange NPT, 150, 300	Steel	04-02184-00	04-02201-00	04-02204-00	04-02207-00	04-02209-00	04-02211-00
	Blind Flange 600	Steel	04-02200-00	04-02202-00	04-02205-00	04-02208-00	04-02210-00	04-02212-00
4	*Gasket	Non-Asbestos	05-02367-01 NPT, 150#, 300#	05-02369-01 NPT, 150#, 300#	05-02371-00 300#	05-02372-01 150#, 300#	05-02374-01 150#, 300#	05-02375-01 150#, 300#
		Non-Asbestos	05-02367-01 600#	05-02369-01 600#	05-02396-00 600#	05-02379-01 600#	04-04628-01 600#	04-04630-01 600#
5	*Stem Nut	Steel	05-02972-00	05-02973-00	05-02974-00	05-02975-00	05-02976-00	05-02977-00
6	Muffler Plate	Cast Iron	04-03515-00	04-03516-00	04-03518-00	04-03519-00	04-03520-00	04-03524-00
7	*Disc	Stainless Steel	04-01906-01	04-01918-00	04-01931-00	04-01938-00	04-01995-00	04-01691-00
8	*Seat Ring	Stainless Steel	04-11539-00	04-11484-00	04-11565-00	04-11700-01	04-15142-00	04-15144-00
9	Pipe Plug 1/4	Steel	04-03772-00	04-03772-00	04-03772-00	04-03772-00	04-03772-00	04-03772-00
10	Pipe Plug 1/8	Steel	04-03769-00	04-03769-00	04-03769-00	04-03769-00	04-03769-00	04-03769-00
11	*Stem	Stainless Steel	04-05260-02	04-05279-01	04-05282-02	04-05285-01	04-05288-01	04-05292-01
12	Body 150	Steel	—	—	—	—	—	—
	Body 300	Steel	—	—	—	—	—	—
	Body 600	Steel	—	—	—	—	—	—
13	*Spring	Steel	05-08257-02	05-09112-02	05-09114-02	05-09115-02	05-09116-01	05-09118-01
14	*Dowel Pin	Stainless Steel	05-03252-00	05-03254-00	05-03254-00	05-03258-00	05-03258-00	05-03261-00
15	Diaphragm Stud	Steel	05-05486-00	05-05486-00	05-05487-00	05-05487-00	05-05483-00	05-05483-00
16	Base	Steel	04-00488-00	04-00487-00	04-00490-00	04-00495-00	04-00496-00	04-00491-00
17	*Pressure Plate	Cast Iron	04-03583-00	04-03585-01	04-03587-00	04-03588-01	04-03589-02	04-03591-00
18	Diaphragm Nut	Steel	05-02857-00	05-02857-00	05-02857-00	05-02857-00	05-02861-00	05-02861-00
19	Hood	Steel	04-02646-00	04-02586-00	04-02589-00	04-02592-00	04-02594-00	04-02596-00
20	*Diaphragm	Stainless Steel	04-01641-00	05-02038-00	05-01647-00	05-01649-00	05-01651-00	05-01653-00
	Repair Kit		24152	24158	24155	—	24157	—

*These parts furnished in Repair Kit

DIAPHRAGM TABLE

Initial Pressure PSIG	Number of Diaphragms per Set
10 – 250	2
251 – 400	3
401 – 600	4

SEAT RING TOOLS PART NUMBERS

SIZE	Description: Port	Part # of Complete Wrench
2" E	New: Full and Normal	08-05691-00
2½" E	New: Full and Normal	08-10111-00
3" E	New: Full and Normal	08-09715-00
4" E	New: Full and Normal	08-10113-00
5" E	New: Full and Normal	08-10304-00
5" E	Old: Full	08-00575-00
5" E	Old: Normal	08-00587-00
6" E	New/Old: Full	08-03948-00
6" E	New/Old: Normal	08-00567-00
8" E	New/Old: Full	08-00518-00
8" E	New/Old: Normal	08-03949-00

Old = Used on any valve made prior to 1984

WARNING: This product operates in pipelines or with equipment that carries fluids and/or gasses at elevated temperatures and pressures. Caution should be taken to make sure that the equipment is installed correctly and inspected regularly. Caution should also be taken to protect personnel from fluid or gas leakage."