

AGG5.210 Transformer

The AGG5.210 transformer supplies 12 VAC power to the LMV5 base unit, AZL5, actuators, and PLL52 (if equipped). This transformer should also be mounted in an enclosure that shields the transformer from dirt and water. At least one transformer is necessary for each LMV5 base unit. Depending upon how many devices are connected to the CANbus (actuators, PLL52 module, etc.), two AGG5.210 transformers may be necessary.

Note: If a second transformer is used, locate it as close as possible to the actuators / PLL52 module that it powers. Do not connect 12VAC1 and 12VAC2 from each transformer together.

Figure 1-3.3 gives the dimensions of an AGG5.210 transformer. Slotted holes are provided for ease of mounting in tapped holes; a #10 machine screw and SAE washer are recommended.

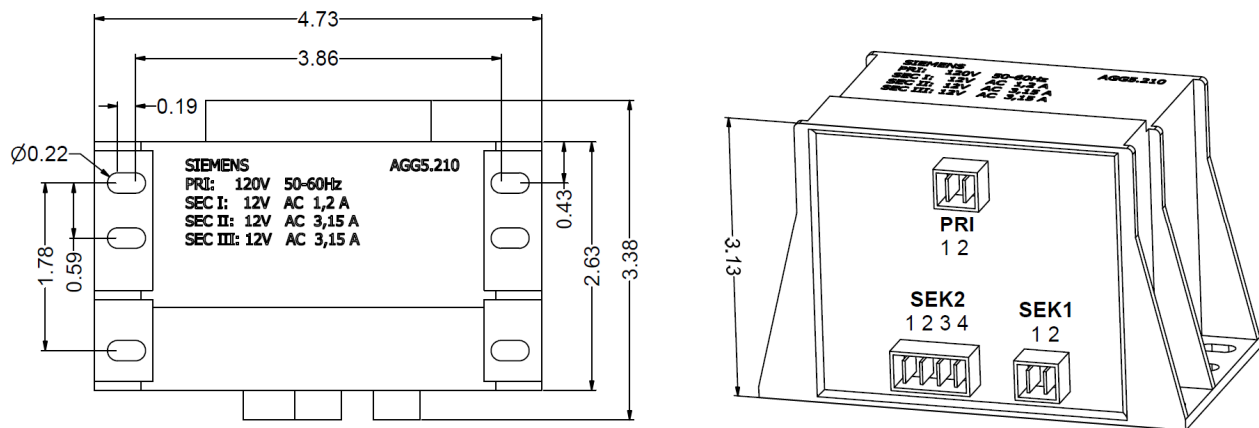


Figure 1-3.3: AGG5.210 Dimensions (inches)