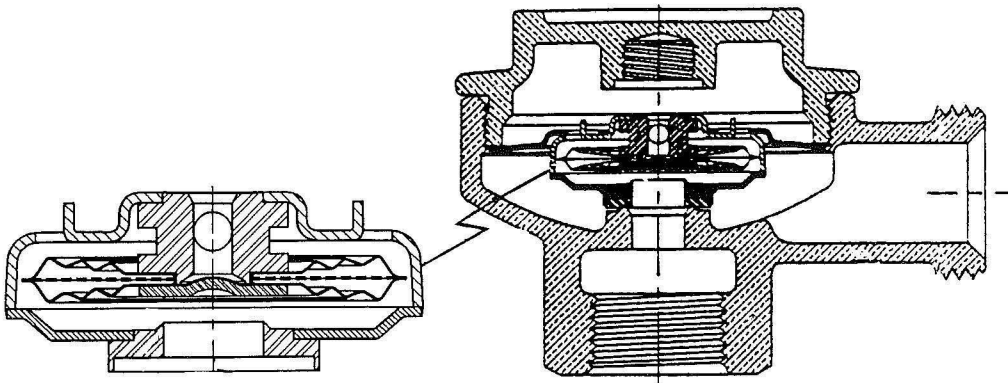


MEPCO STAINLESS STEEL CARTRIDGE REPAIR

(LOW PRESSURE THERMOSTATIC TRAP)



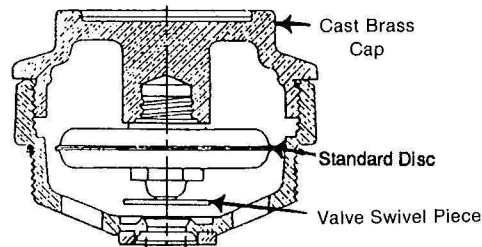
Trap Repair Model

MANUFACTURER	NUMBERS	SIZE	PART NUMBER
Dunham-Bush/MEPCO	1E, and all #1 traps	1/2"	MEP-1950
Dunham-Bush/MEPCO	2E traps	3/4"	MEP-1990

MEPCO CAST BRASS REPAIR CARTRIDGE UNIT

FOR 1E, 2E, 3C TRAPS WITH INTEGRAL SEAT

PART NO.	MODEL	SIZE
ML9606	CA-1	1/2"
ML9630	CA-2	3/4"
ML9631	CA-3	1"



Includes: Body Cartridge, cap, disc, and valve replacement assembly.

FLOAT AND THERMOSTATIC TRAPS AND FLOAT TRAPS

(INSTALLED PRIOR TO 1929)

REF. NO.	ITEM	PART NUMBER						PART NUMBER				
		3/4"	1"	1"	1 1/4"	1 1/2"	1 1/2"	1 1/2"	3/4"	1"	3/4"	1"
	Size Tapping											
	Trap Number	16	17-18	D16A	18E	19E	19	19C	22	23	22A	23A
		16A	17A	D16E	D18A	D19A	19A	D19			22B	23B
		16B	17B	17E		20	19B				22C	23C
		16C	17C	D17A		20A-20B					D22	D23
		D16	D17	18C		20C-20E					22E	D23A
			18A	D18		D20A					D22A	
			18B			D20E						
1	Cap and Disc Assembly	C5838	C5838	C5838	C5838	C5838	C5838	C5838	X	X	C5838	C5838
2	Cap Gasket	X	X	X	D263	D342	X	X	C2331	D333	C2331	D333
	Recommended Replacement	40-215A	40-415A		40-515A	40-715A			40-415A			

- a. Trap Nos. 18, 18A, 18B, 18C and D18 have 1 1/4" Tappings
- b. Trap No. 20 has 2" Tappings.