

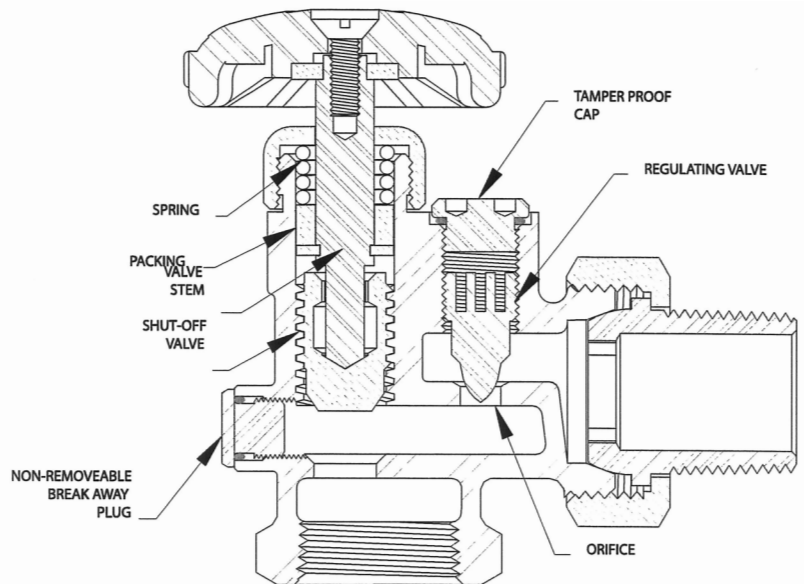


## Spring Packed, Type SWRF, Model B

### APPLICATION

The MEPCO Regulating Valve, Type SWRF, Model B, combines the advantages of a spring-packed Radiator Valve and an Adjustable Regulating Fitting. This valve is applicable to vacuum return line steam heating systems with pressures of 25" vacuum to 25 psig. It provides both a positive "on" or "off" control and also accurate proportioning of steam to a convactor or radiator.

When balancing steam distribution in a heating system, this Regulating Valve eliminates the lengthy procedure of changing regulating plates (which requires that valve unions be disconnected and reconnected.)



## FEATURES & BENEFITS

**SIMPLE RUGGED CONSTRUCTION** - Valve is manufactured in 3/4" size, angle pattern. The valve body is forged yellow brass and is equipped with a brass nut and nipple capable of resisting severe strains often encountered during installation and operation.

**TAMPER-PROOF ADJUSTMENT** - Access to the regulating valve, for apportioning the steam flow through the metering passage, is obtained only by means of a special wrench\*... prevents tampering by unauthorized individuals. This adjustment can be made while steam is flowing through the valve.

**TIGHT SEAL AROUND VALVE STEM** - Solid, one-piece teflon arimid fiber (non asbestos) ring packing, formed under pressure to exact size and shape of valve stem is held under compression by a heavy coil stainless steel spring to maintain a tight seal around the valve stem. The construction is referred to by the trade as "packless".

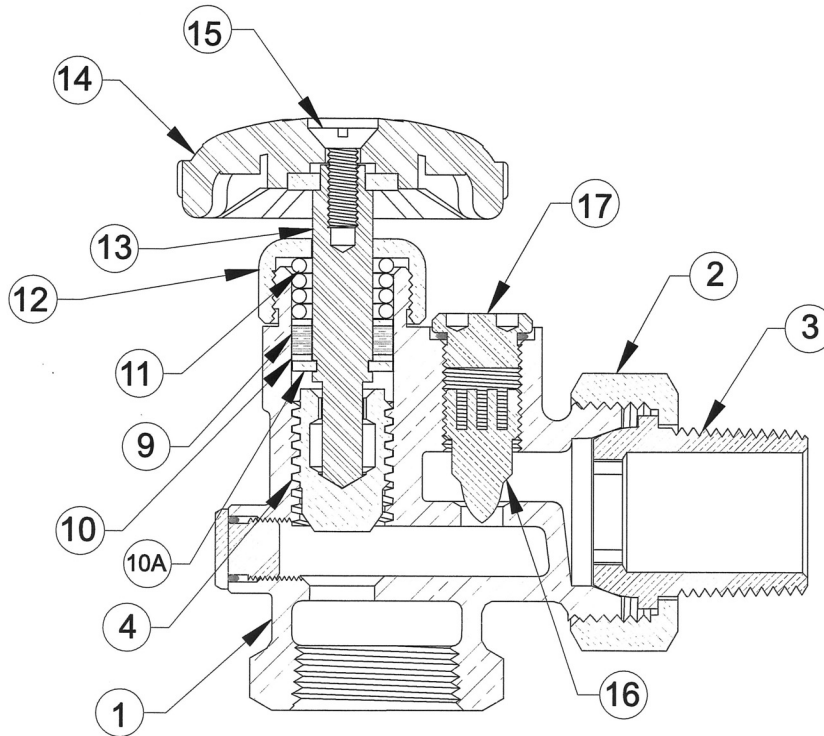
**POSITIVE VALVE SHUT-OFF** - Accurately machined brass shut-off valve closes tightly against the similar finished seating surface of the valve body. The valve is opened or closed in less than one turn and has a non-rising stem.

<b>CAPACITIES, DIMENSIONS AND WEIGHTS</b>					
<b>Valve Size</b>	<b>Capacity</b>	<b>A</b>	<b>B</b>	<b>C</b>	<b>Shipping Weight</b>
3/4"	85 EDR	2 3/4	1 1/4	2 3/8	1 1/2 lbs.

\*C8265X3 wrench SWRF-B Adj. cap

# CONSTRUCTION FEATURES

## Spring Packed, Type SWRF, Model B



REFERENCE NO.	TYPE SIZE	SWRF 3/4
1	AP BODY (ST-LH-RH bodies not available)	X
2	UNION NUT	C346
3	UNION NIPPLE	C1045
4	SHUT-OFF VALVE	C8099
9	PACKING	S-3632
10	STEM WASHER	C566
10A	STEM ALIGNING WASHER	X
11	SPRING	C10102
12	PACKING NUT	X
13	VALVE STEM	C5824
14	HANDLE AND INSERT	C8056-C8057
15	HANDLE SCREW (#10-24X1/2)	753M06A2
16	REGULATING VALVE	A2-784
17	TAMPER PROOF CAP	C8098

