



In-Line Centrifugal Pumps Type RP06

REPAIR PARTS

NOMENCLATURE

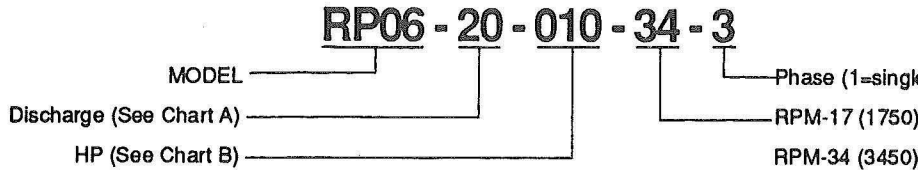


CHART A

20	=	2"
25	=	2-1/2"
30	=	3"

CHART B

010	=	1 HP
015	=	1-1/2 HP
020	=	2 HP
030	=	3 HP
050	=	5 HP
075	=	7-1/2 HP
100	=	10 HP
150	=	15 HP
200	=	20 HP

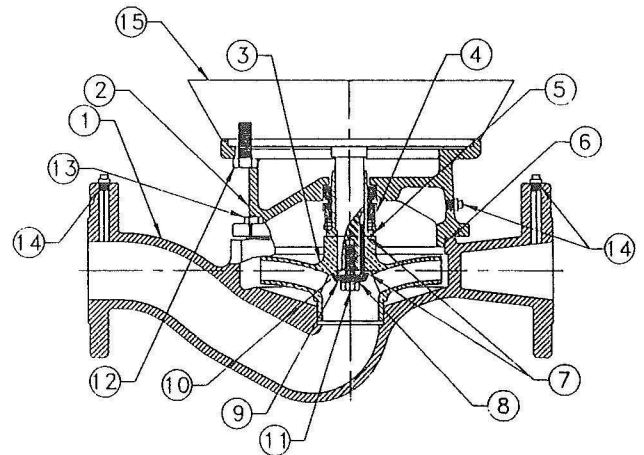
ORDERING PROCEDURE

Contact your sales rep to order parts. If you do not know who your sales rep is contact the factory for help in locating your local sales rep.

Complete description is required when ordering.

When a part number is not known or shown, in the parts catalog, the complete model and serial # of the unit must be given.

MEPCO reserves the right to substitute interchangeable parts.



Centrifugal Pump, Type RP06 Parts

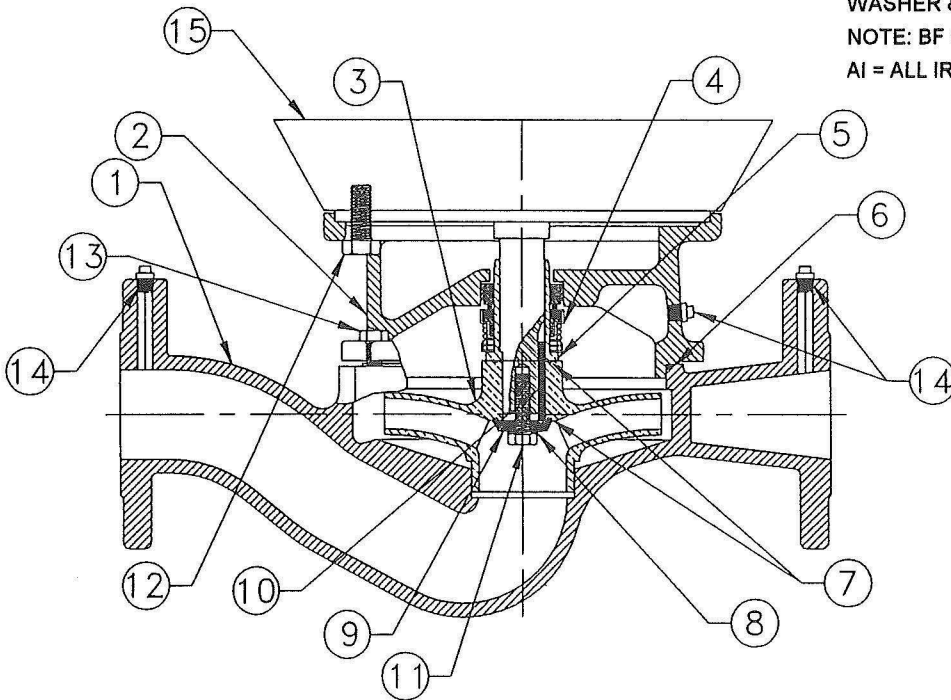
PART	DESCRIPTION
ITEM NUMBER	
1	D2-1826 CASE-RP06-2 CAST IRON
1	D2-1827 CASE-RP06-2-1/2 CAST IRON
1	D2-1828 CASE-RP06-3 CAST IRON
1	100108 CASE-RP06-2 BRONZE
1	100109 CASE-RP06-2-1/2 BRONZE
1	100109 CASE-RP06-3 BRONZE
2	C2-4437 ADAPTER-RP06 143-184JM CI
2	D2-1767 ADAPTER-RP06 213-215JM CI
2	D2-1787 ADAPTER-RP06 254-256JM CI
2	C2-4473 ADAPTER-RP06 143-184JM BRONZE
2	D2-1785 ADAPTER-RP06 213-215JM BRONZE
2	D2-1786 ADAPTER-RP06 254-256JM BRONZE
3	C2-4438 IMPELLER RP06-2 BRONZE
3	C2-4456 IMPELLER RP06-2-1/2 BRONZE
3	C2-4479 IMPELLER-RP06-3 143-215JM BRONZE
3	C2-4480 IMPELLER-RP06-3 254-256JM BRONZE
3	C2-4486 IMPELLER-RP06-2 CAST IRON
3	C2-4487 IMPELLER-RP06-2-1/2 CAST IRON
3	C2-4488 IMPELLER-RP06-3 143-215 CI
3	C2-4489 IMPELLER-RP06-3 254-256JM CI

ITEM	PART #	DESCRIPTION
4		SEAL KIT SEE CHART
5		SLEEVE (Intergal Part of Seal kit)
6		O-RING-CASE (Intergal Part of Seal kit)
7		O-RING-IMPELLER (Intergal Part of Seal kit)
8		WASHER-SEALING (Intergal Part of Seal kit)
9		WASHER-IMPELLER (Intergal Part of Seal kit)
10		KEY-IMPELLER (Intergal Part of Seal kit)
11		SCREW-CAP (Intergal Part of Seal kit)
12	102S06A1	SCREW-CAP STEEL 143-184JM
12	102S07A4	SCREW-CAP STEEL 213-256JM
13	102S06A3	SCREW-CAP STEEL
14	S-4328	PLUG-STEEL
14	101S01A1	PLUG-BRASS
MOTORS (1750 RPM)		
15	S-3142R	MTR-1HP 1PH-ODP-143JM
15	S-3143R	MTR-1-1/2HP 1PH-ODP-145JM
15	S-3144R	MTR-2HP 1PH-ODP-182JM
15	S-3149R	MTR-1HP 3PH-ODP-143JM
15	S-3150R	MTR-1-1/2HP 3PH-ODP-145JM
15	S-3151R	MTR-2HP 3PH-ODP-145JM

ITEM	PART #	DESCRIPTION
15	S-3142RE	MTR-1HP 1PH-TEFC-143JM
15	S-3143RE	MTR-1-1/2HP 1PH-TEFC-145JM
15	S-3144RE	MTR-2HP 1PH-TEFC-182JM
15	S-3149RE	MTR-1HP 3PH-TEFC-143JM
15	S-3150RE	MTR-1-1/2HP 3PH-TEFC-145JM
15	S-3151RE	MTR-2HP 3PH-TEFC-145JM
MOTORS (3450 RPM)		
15	S-3183R	MTR-3HP 3PH-ODP-145JM
15	S-3184R	MTR-5HP 3PH-ODP-182JM
15	S-3185R	MTR-7-1/2HP 3PH-ODP-184JM
15	S-3186R	MTR-10HP 3PH-ODP-213JM
15	S-3187R	MTR-15HP 3PH-ODP-215JM
15	S-3188R	MTR-20HP 3PH-ODP-254JM
15	S-3183RE	MTR-3HP 3PH-TEFC-182JM
15	S-3184RE	MTR-5HP 3PH-TEFC-182JM
15	S-3185RE	MTR-7-1/2HP 3PH-TEFC-184JM
15	S-3186RE	MTR-10HP 3PH-TEFC-213JM
15	S-3187RE	MTR-15HP 3PH-TEFC-215JM
15	S-3188RE	MTR-20HP 3PH-TEFC-254JM

SEAL KITS FOR RP06, RP07, & RP09			
MOTOR FRAME	SEAL MATERIAL	PUMP TYPE	PART NUMBER
143/215	BUNA N	BF	ML11775
143/215	EPT	BF	ML11776
143/215	VITON	BF	ML11777
143/215	BUNA N	AB	ML11778
143/215	EPT	AB	ML11779
143/215	VITON	AB	ML11780
143/215	BUNA N	AI	ML11781
143/215	EPT	AI	ML11782
143/215	VITON	AI	ML11783
254/326	BUNA N	BF	ML11784
254/326	EPT	BF	ML11785
254/326	VITON	BF	ML11786
254/326	BUNA N	AB	ML11787
254/326	EPT	AB	ML11788
254/326	VITON	AB	ML11789
254/326	BUNA N	AI	ML11790
254/326	EPT	AI	ML11791
254/326	VITON	AI	ML11792

SEAL KIT INCLUDES; SEAL, SLEEVE, CASE O-RING, IMPELLER O-RING, SEALING WASHER, IMPELLER WASHER & CAP SCREW
 NOTE: BF = BRONZE FITTED, AB = ALL BRONZE, AI = ALL IRON



3695 44th Street SE Grand Rapids, MI 49512 - (P) 616-971-3420 (F) 616-971-3421 - www.mepcollc.com