



PUMP SECTION

Centrifugal Pumps, Type RP06 - InLine



**Inline Service Pumps
Flows to 450 GPM, 75 PSI**

FEATURES

The **MEPCO Model RP Series Pumps** meet the latest standards for hydraulic performance and dimensional characteristics. The pump shall be close coupled to a NEMA standard JM motor. The pump incorporates a dry shaft design to prevent the fluid from contacting the shaft. The shaft shall be covered with a replaceable bronze (stainless steel) shaft sleeve.

The **standardization and interchangeability** for the RP Series Pump line results in reduced parts inventories and lower costs for multiple pump installations. An easy-to-replace, slip-on shaft sleeve facilitates seal maintenance in the field and lowers costs. The dry shaft design protects the pump shaft by eliminating contact between the shaft and the fluid. Corrosion resistant shaft materials are not required. Standard brass sleeve or optional stainless steel sleeve will eliminate this maintenance problem.

MEPCO Model RP Pumps are ideally suited for a variety of applications, including heating, air conditioning and pressure boosting.

Pump casing has center line inlet and outlet flanges. The back pull-out design eliminates the need to disturb piping during servicing. Materials of construction are class 30 cast iron.

The **advanced impeller design** maximizes hydraulic efficiency. Each impeller is dynamically balanced for vibration free operation.

The **mechanical seal is constructed of Buna N** and is rated for 250 degrees Fahrenheit and pressures up to 175 PSI with ceramic seat and carbon seal face for long trouble free service. Alternative seals are available to suit other temperatures and liquids.

Dry shaft design ensures shaft is never exposed to the system fluid.

- Simplifies sleeve and seal removal/reassembly.
- Easy-to-replace slip-on shaft sleeve facilitates seal maintenance in the field and lowers long-term maintenance costs.

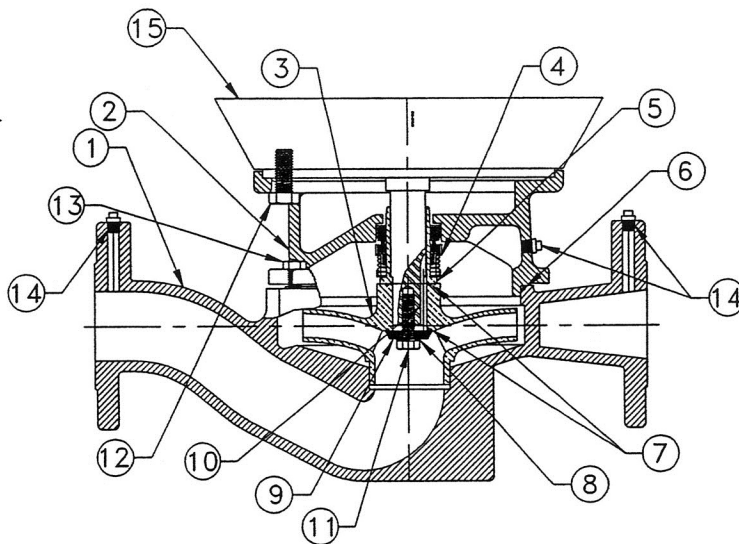
MAXIMUM OPERATING CONDITIONS

Based on Std. Construction & Pumping Clear Water

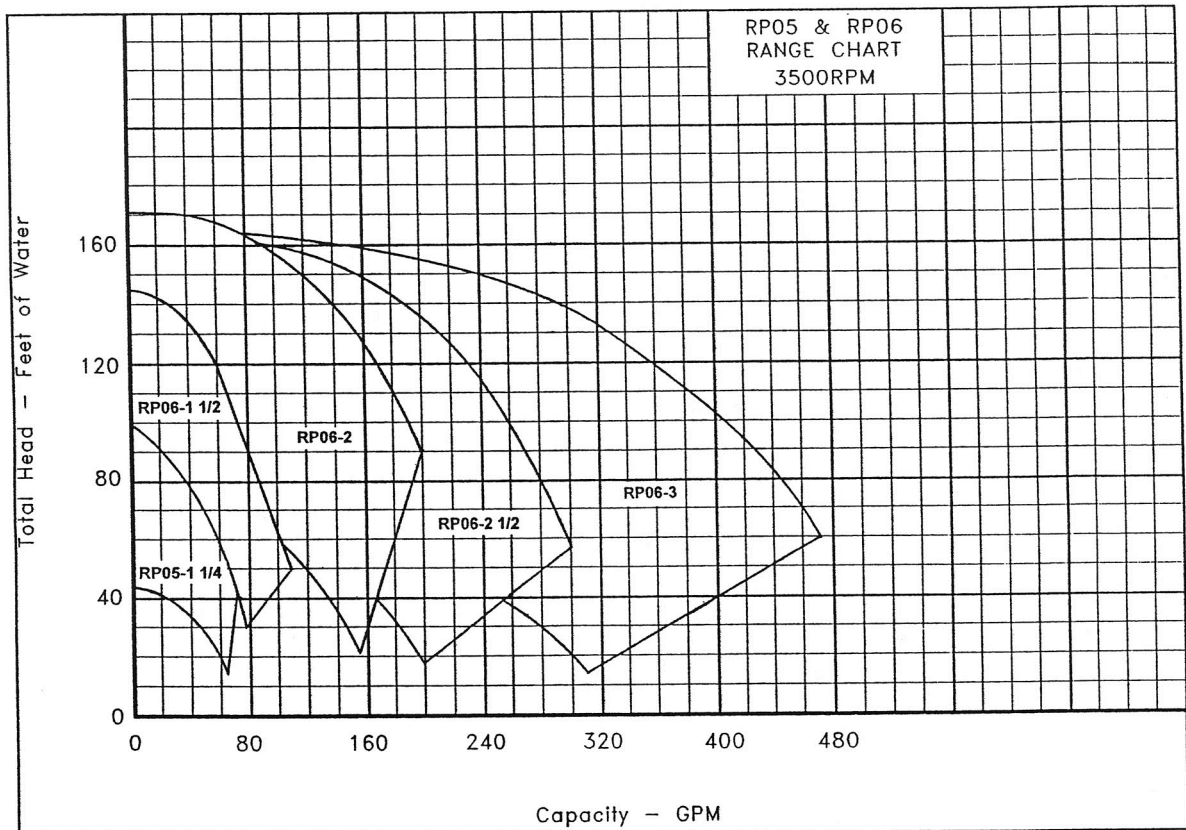
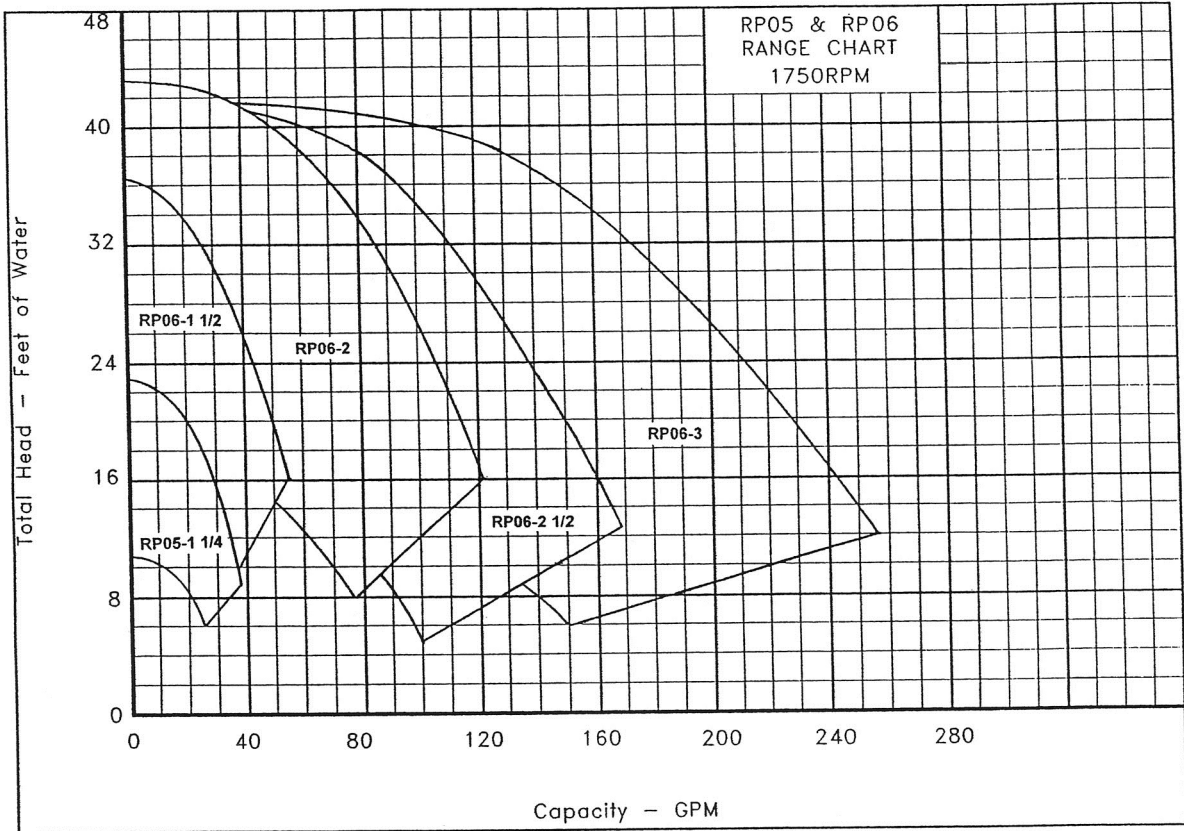
RPM -	1750, 3450
HORSEPOWER -	20
STD. SEAL TEMP. -	250 DEGREES FAHRENHEIT
OPT. SEAL TEMP. -	300° F = EPT, 400° F = VITON
FLANGES -	125 LB.
MAX. WORKING PRESS. -	175 PSI
HYDROSTATIC TEST PRESSURE -	265 PSI

MATERIALS OF CONSTRUCTION

ITEM	DESCRIPTION	MATERIAL	OPTION
1	CASE	CLASS 30 C. I.	BRONZE
2	ADAPTER	CLASS 30 C. I.	BRONZE
3	IMPELLER	BRONZE	CAST IRON
4	MECH. SEAL	BUNA N	EPT/VITON
5	SLEEVE	BRONZE	SST
6	O-RING	BUNA N	EPT/VITON
7	O-RING	BUNA N	EPT/VITON
8	WASHER	BUNA N	EPT/VITON
9	WASHER	SST	BRONZE
10	KEY	SST	
11	BOLT	STEEL	BRONZE
12	BOLT	STEEL	
13	BOLT	STEEL	
14	PIPE PLUG	CLASS 30 C. I.	BRONZE
15	MOTOR	NEMA (ODP)	TEFC/XPROOF

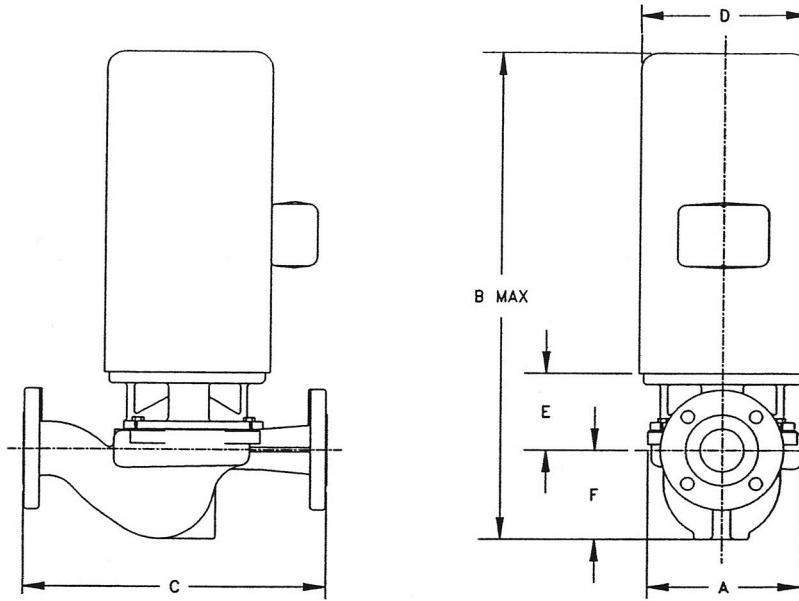


RANGE CHARTS



NOTE: Computerized pump curves are available for sizing, Pump Flo[™] program.

DIMENSIONS

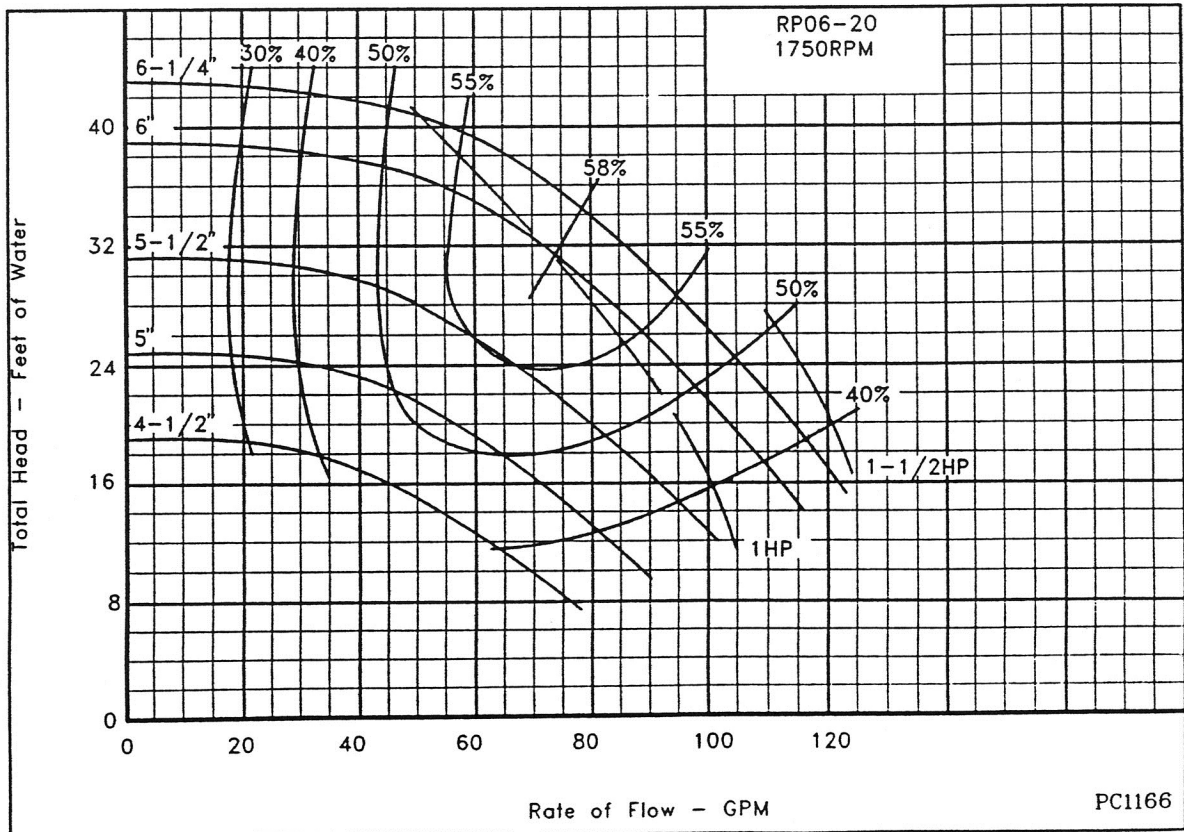
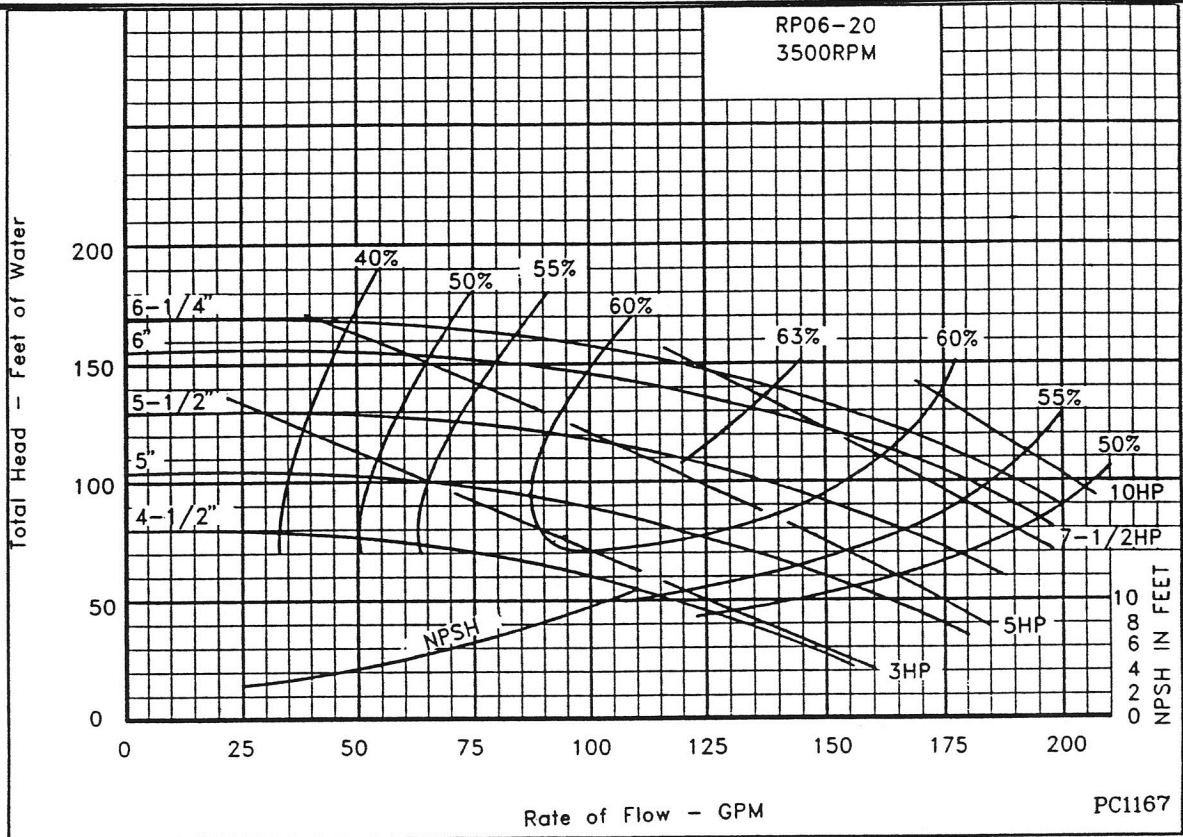


PUMP	MOTOR FRAME SIZE	DISC.	SUCT.	DIMENSIONS IN INCHES					
				A	B	C	D	E	F
RP06 20	143JM	2 FLANGE	2 FLANGE	8 5/16	24 1/2	16 1/8	6 5/8	4 5/16	4 9/16
	145JM				28		7 7/8	4 5/16	
	182JM								
	184JM								
	213JM								
RP06 25	143JM	2 1/2 FLANGE	2 1/2 FLANGE	8 3/4	25 3/16	16 1/8	6 5/8	4 5/16	5 3/16
	145JM				28 11/16		7 7/8	4 5/16	
	182JM								
	184JM								
	213JM								
215JM									
RP06 30	143JM	3 FLANGE	3 FLANGE	10 1/4	26 5/16	16 1/2	6 5/8	4 5/16	5 15/16
	145JM				29 13/16		7 7/8	4 5/16	
	182JM								
	184JM								
	213JM								
	215JM								
254JM	31 15/16	11 1/2	5 7/8						

MOTOR DATA

FRAME	ODP - HP		TEFC - HP	
	1750 RPM	3450 RPM	1750 RPM	3450 RPM
143	1	1-1/2, 2	1, 2	1-1/2
145	1-1/2, 2	3	1-1/2, 2	2
182	3	5	3	3,5
184	5	7-1/2	5	7-1/2
213	7-1/2	10	7-1/2	10
215	10	15	10	15
254	---	20	---	---
256	---	25	10	20

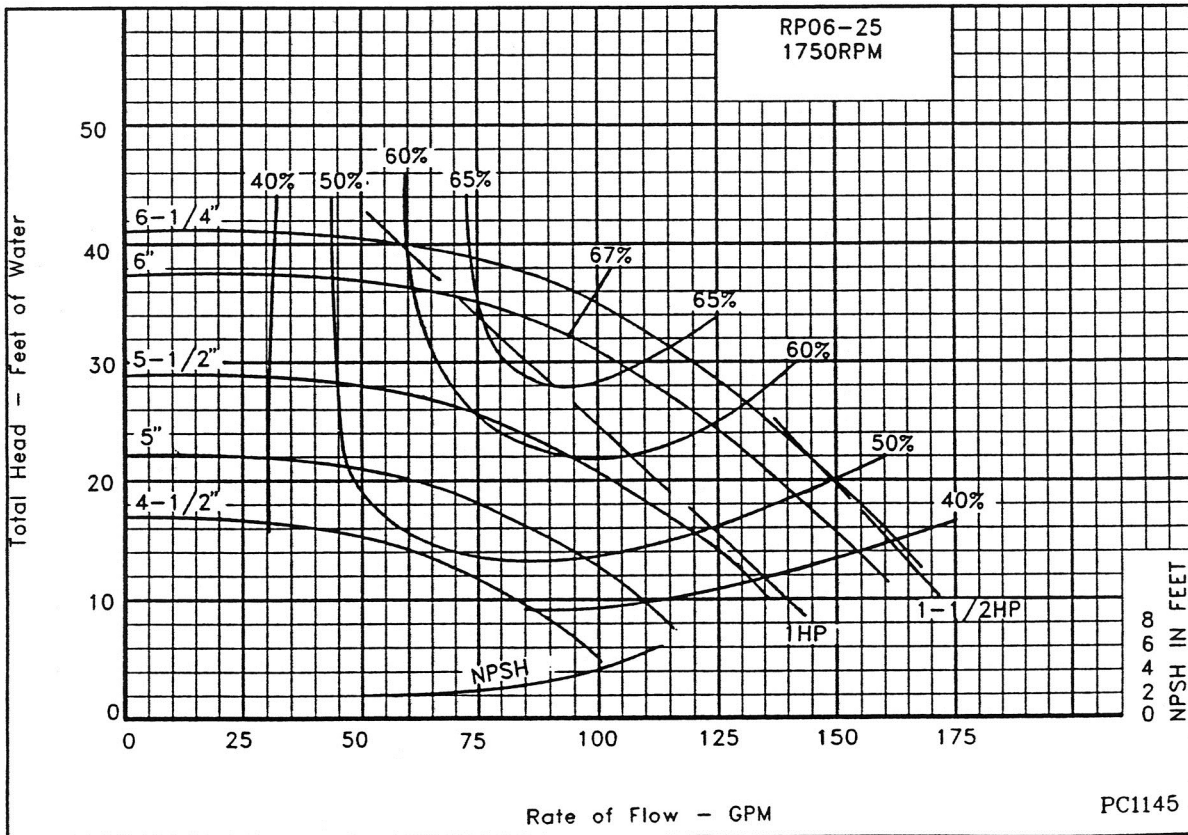
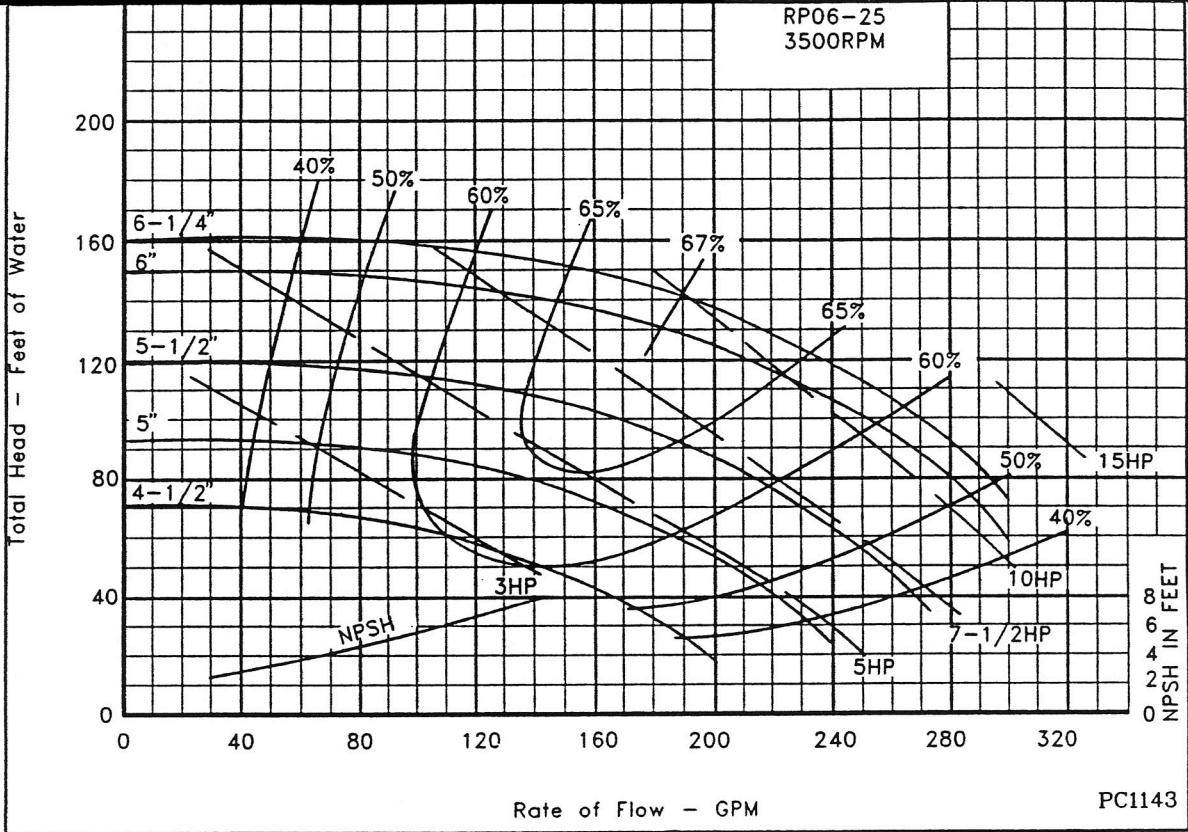
SELECTION CURVES



NOTE

Computerized pump curves are available for sizing, Pump Flo[™] program.

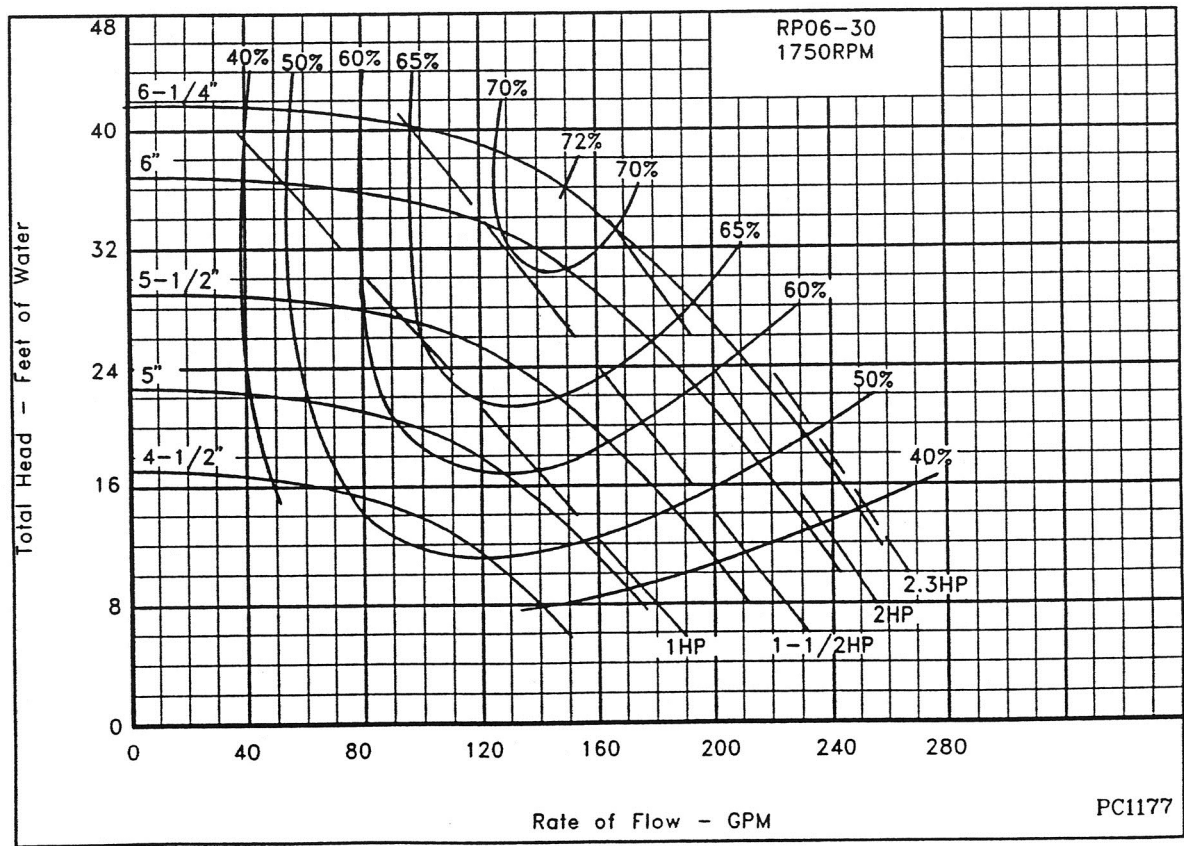
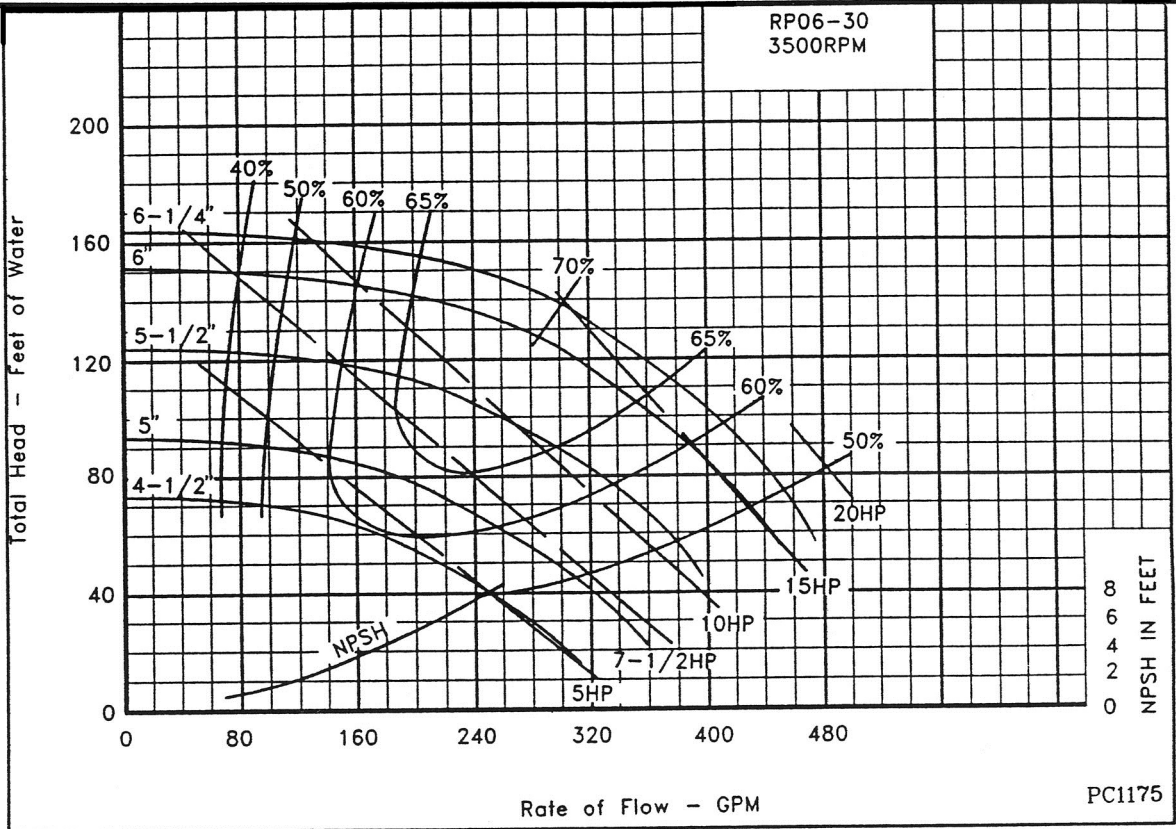
SELECTION CURVES



NOTE

Computerized pump-curves are available for sizing, Pump Flotm program.

SELECTION CURVES



NOTE

Computerized pump curves are available for sizing, Pump Flo™ program.

TYPICAL SPECIFICATIONS

- Furnish and install pumps with capacities as shown on plans. Pumps shall be MEPCO close coupled, single-stage, inline, capable of being serviced without disturbing piping.
- Seal shaft shall be of rotary type and suitable for water temperatures up to 250degrees Fahrenheit.
- Pumps shall be rated for minimum of 175 PSI working pressure. Casings shall have vent and drain ports at top and bottom casing.
- Motor shall meet NEMA specifications and shall be of the size, voltage and enclosure called for on the plans. It shall have heavy-duty sealed ball bearings.
- Each pump shall be factory tested and thoroughly cleaned and painted with high-grade lacquer prior to shipment.
- Each pump shall be checked by the contractor and regulated for proper pressure, voltage and amperage draw. Data shall be noted on a permanent tag or label and fastened to pump for owner's reference.



3695 44th Street SE, Grand Rapids, Michigan 49512 Phone
616.971.3420 Fax 616.971.3421www.mepcollc.com