

THERMODYNAMIC STEAM TRAPS WITH BUILT IN STRAINER



MDS



THERMODYNAMIC STEAM TRAPS

PRINCIPLE

Thermodynamic Steam Traps are simple in design and operate on the principle of Flash Steam and Bernoulli's Theorem. These Traps discharge condensate intermittently at near to steam temperature.

MAX. ALLOWABLE PRESSURE

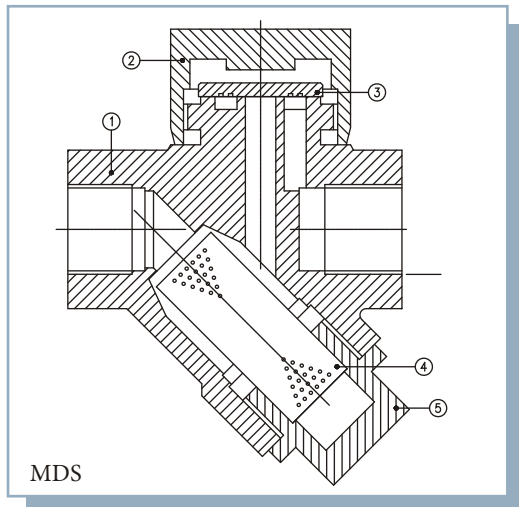
Model : MDS - 1/2"-1" : 600 PSI (42 Bar)

SIZES 1/2", 3/4" and 1"

END CONNECTION Threaded NPT

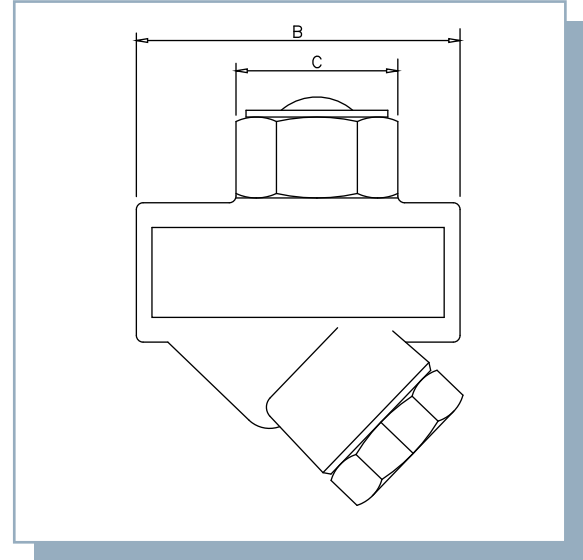
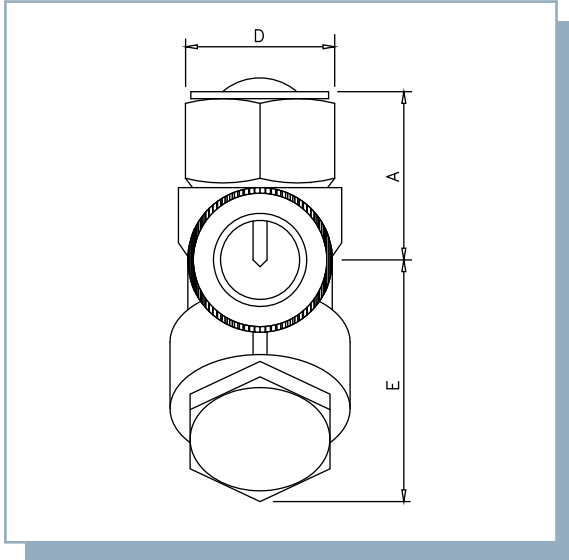
MATERIALS Stainless Steel ASTM A 743 Gr CA40 (Investment Cast)

PARTS & MATERIALS LIST



No.	Description	Material
1	Body	Stainless Steel
2	Cap	Stainless Steel
3	Control Disc	Stainless Steel
4	Strainer Screen	Stainless Steel
5	Strainer Plug	Stainless Steel

THERMODYNAMIC STEAM TRAPS WITH BUILT IN STRAINER



DIMENSIONS TABLES IN MM (APPROX)

SIZE	A	B	C	D	E
1/2" & 3/4"	2 - 7/16"	3"	1 - 29/32	1 - 39/64	2 - 3/8"
1"	2 - 3/4"	3 - 1/4"	1 - 29/32	1 - 39/64	2 - 1/2"



AVAILABLE SPARES

Disc (5) & Cap (4)
Strainer Screen (2)

CAPACITY TABLES (LBS/HR)

PSI (Bar)

TRAP MODEL	10 (.690)	20 (1.38)	30 (2.07)	50 (3.45)	75 (5.17)	100 (6.90)	150 (10.3)	200 (13.8)	300 (20.7)	400 (27.6)	500 (34.5)	600 (41.4)
MDS-4 (1/2")	315	370	425	520	575	800	900	1080	1280	1380	1480	1650
MDS -6 (3/4")	650	740	800	1000	1100	1400	1540	1630	1760	1930	2070	2200
MDS-8 (1")	650	740	800	1000	1100	1400	1540	1630	1760	1930	2070	2200