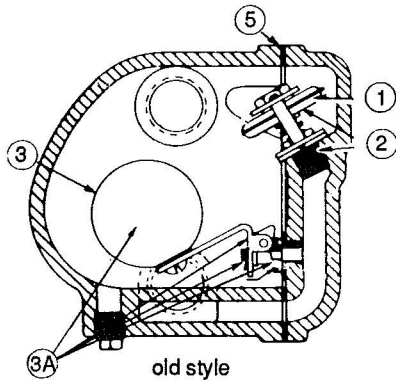
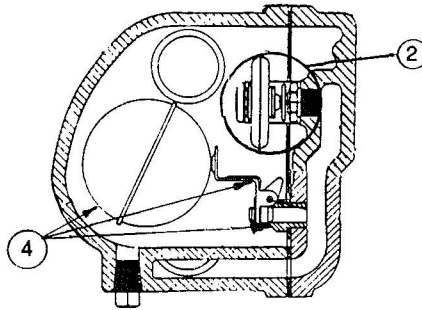


# FLOAT & THERMOSTATIC TRAPS (#40 AND 44 SERIES)

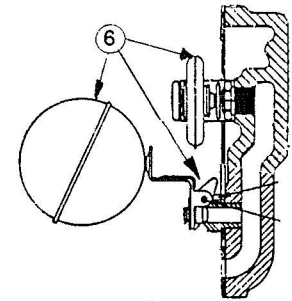
## FLOAT TRAPS (41 & 45 series)



Nos. 40 Series Trap Construction



Nos. 40- A Series Trap Construction



Repair Part #6 Internal Mechanism Complete with Cap, for 40, 44, and 40- A series Traps

REFERENCE NUMBER AND ITEM								
TRAP MODEL	TRAP SIZE	1 THERMO Disc/Only	2 THERMO Complete*	3 FLOAT Only	3A FLOAT & Lever	4 INTERNAL Mech.Cmplt	5 CAP Gskt	6 Internal Mech Cmplt w/cap
40-215	3/4"	C5940	ML12879*	---		ML9897	D5442	ML9632
40-215A	3/4"	C5940	ML5953	---		ML9897	D5442	ML9632
40-415	1"	C5940	ML12879*	N/A		ML9897	D5442	ML9696
40-415A	1"	C5940	ML5953	---		ML9897	D5442	ML9696
40-515	1-1/4"	C5940	ML12879*	N/A		ML9898	D5449	ML9634
40-515A	1-1/4"	C5940	ML5953	---		ML9898	D5449	ML9634
40-715	1-1/2"	C5940	ML12879*	N/A		ML9900	D5449	ML9635
40-715A	1-1/2"	C5940	ML5953	---		ML9900	D5449	ML9635
40-230	3/4"	C5940	ML12879*	N/A		ML9896	D5442	ML9693
40-230A	3/4"	C5940	ML5953	---		ML9896	D5442	ML9693
40-430	1"	C5940	ML12879*	N/A		ML9896	D5442	ML9699
40-430A	1"	C5940	ML5953	---		ML9896	D5442	ML9699
40-530	1-1/4"	C5940	ML12879*	N/A		ML9903	D5449	ML9633
40-530A	1-1/4"	C5940	ML5953	---		ML9903	D5449	ML9633
40-730	1-1/2"	C5940	ML12879*	N/A		ML9934	D5449	ML9931
40-730A	1-1/2"	C5940	ML5953	---		ML9934	D5449	ML9931
40-275	3/4"	C6888	ML5954	N/A		ML9899	D5442	ML9636
40-275A	3/4"	C6888	ML5954	---		ML9899	D5442	ML9636
40-475	1"	C6888	ML5954	N/A		ML9899	D5442	ML9697
40-475A	1"	C6888	ML5954	---		ML9899	D5442	ML9697
40-575	1-1/4"	C6888	ML5954	N/A		ML9895	D5449	ML9638
40-575A	1-1/4"	C6888	ML5954	---		ML9895	D5449	ML9638
40-775	1-1/2"	C6888	ML5954	N/A		ML9935	D5449	ML9932
40-775A	1-1/2"	C6888	ML5954	---		ML9935	D5449	ML9932
40-2125	3/4"	C6888	ML5954	N/A		ML9901	D5442	ML9637
40-2125A	3/4"	C6888	ML5954	---		ML9901	D5442	ML9637
40-4125	1"	C6888	ML5954	N/A		ML9901	D5442	ML9698
40-4125A	1"	C6888	ML5954	---		ML9901	D5442	ML9637
40-5125	1-1/4"	C6888	ML5954	N/A		ML9902	D5449	ML9700
40-5125A	1-1/4"	C6888	ML5954	---		ML9902	D5449	ML9700
40-7125	1-1/2"	C6888	ML5954	N/A		ML9936	D5449	ML9933
40-7125A	1-1/2"	C6888	ML5954	---		ML9936	D5449	ML9933

Replace with #4 Internal Mechanism Complete

NOTES: 1) All No. 41 & 45 series traps require same parts as above except that the Thermo cage assembly is omitted and is replaced with C10039 plug.

2) All No. 44 series float traps require same parts as the 40 series except for the body. \*ML12879 has old style brass cage.

\* 3) Gasket is not included in item 2 repair. and has old style brass cage