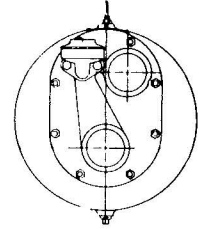
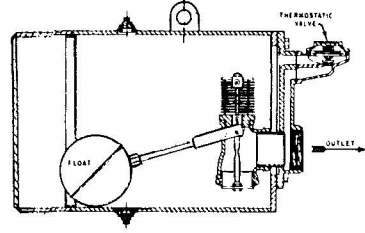
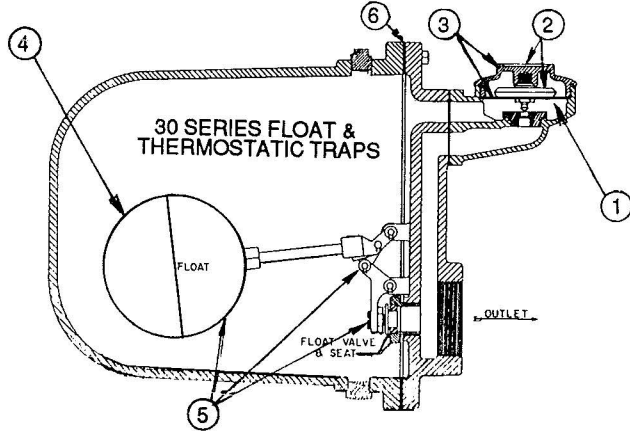


FLOAT & THERMOSTATIC TRAPS HIGH CAPACITY - HIGH PRESSURE



TRAP NOs. SA30-930A, SA30-9125

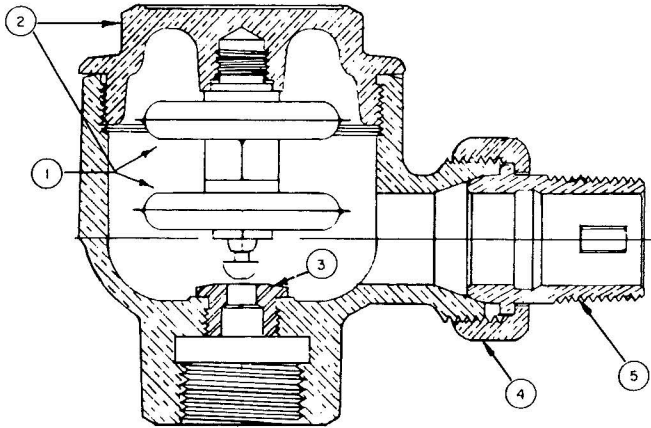
REF NO.	SIZE TAPPING TRAP NUMBER	PART NUMBERS									
		1 1/2"	2"	2"	2"	2"	2"	2"	2 1/2"	2 1/2"	2-1/2"
		30-7AS	30-8AS	SA30-815 SA30-8	SA31-815 SA30-830	SS30-8	SC30-8	S30-8	SA30-930	SA30-930A SA30-915A	SA30-9125A
1	Thermo Disc Only	C6888	C6888	C5942	C6888	C5942	C5942	C5942	C5942	C5942	C6888
2	Cap and Disc Assembly	X	X	C5863	X	C5863	C5863	C5863	C5863	C5863	X
3	Thermo Trap Complete w/Manifold Gasket	B2-869 w/C3737	B2-869 w/C3737	C5818 w/C3737	B2-869 w/C3737	C5818 w/C3737	C5818 w/C3737	C5818 w/C3737	C5818 w/C3737	C5818 w/C3737	B2-869 w/C3737
4	Float Ball Only or Float Ball & Rod	C259	C259	90592	90592	C259	C259	C259	90593	90594	90593
5	Internal Mechanism Complete - Adj. Scr Valve, nut with Float, Float Arm (Rod) and seat and cap gasket.	ML7284	ML7285	ML7286	ML7287	N/A**	N/A**	ML7283	N/A***	ML9615	ML9664
6	Cap Gasket	B2-907	B2-907	B2-1067	B2-1067	D342	D342	D342	D263	D263	B2-907

a. 31-7AS and 31-8AS Traps require same parts as above except that the Thermo Trap is omitted and is replaced with A2-1750 Blind Flange.

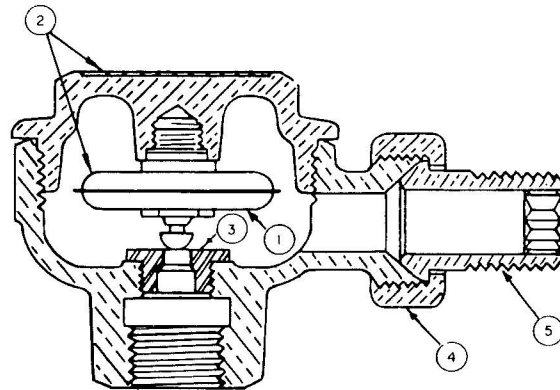
** If Internal Mechanism Parts are required replace Trap with SA30-815.

*** If Internal Mechanism Parts are required consult factory.

THERMOSTATIC TRAPS (HIGH PRESSURE)



TH-2A TH-3A



TH-1A

REF. NO.	SIZE TAPPING TRAP NUMBER ITEM	PART NUMBERS		
		1/2"	3/4"	1"
1	Disc Only	C6888	C6935	C5925
2	Cap and Disc Assembly	ML7295	ML7296	ML7297
3	Seat Only (Screw In)	C5915	C5915	C5923
4	Union Nut	C347	C346	C745
5	Union Nipple	C544	C1045	C1004

a. TH-2A and TH-3A Traps are furnished with compound Discs.
b. No repairs available for the following Traps: TH-1, 13B, 14B, 15B. Replace with: TH-1A, TH-1A, TH-2A, TH-3A.