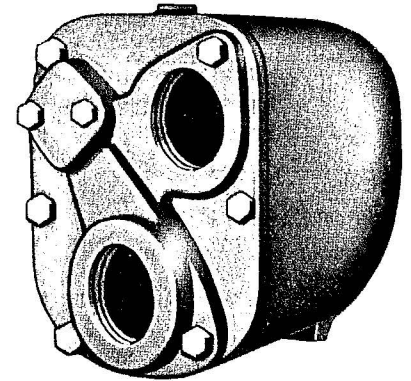
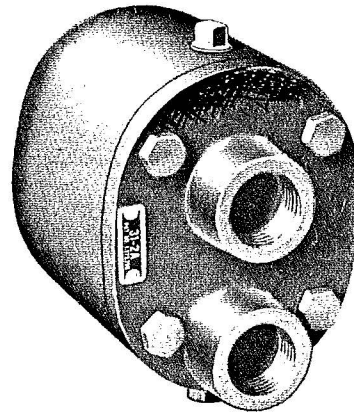
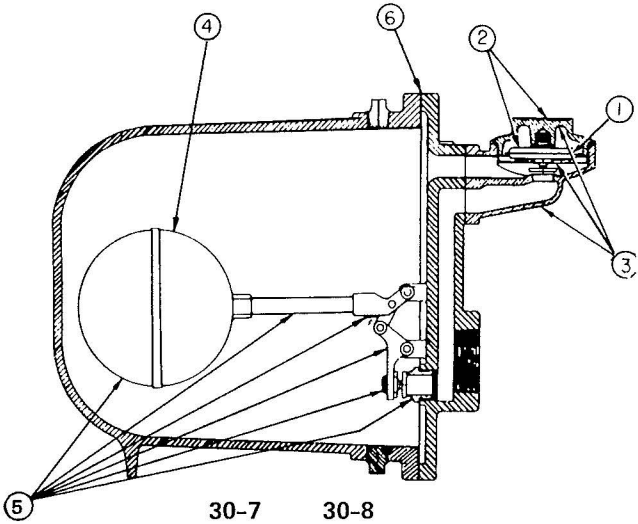
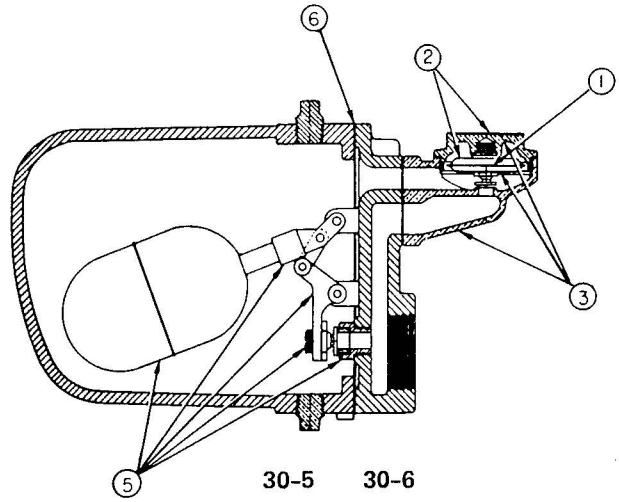
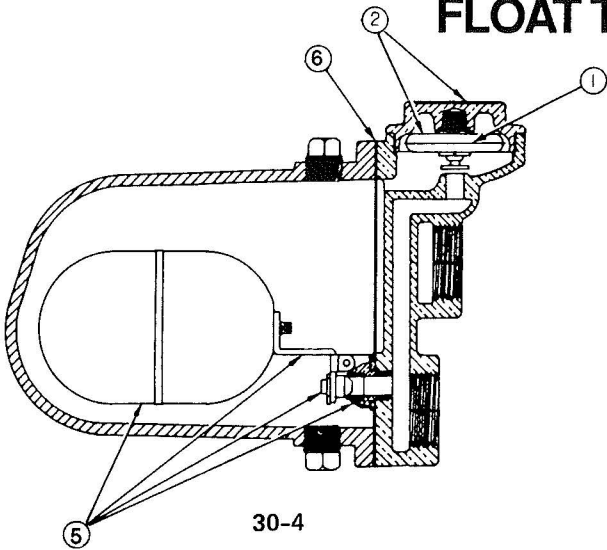


FLOAT & THERMOSTATIC TRAPS (#30 SERIES)

FLOAT TRAPS (#31 SERIES)



REF. NO.	SIZE TAPPING TRAP NUMBER ITEM	PART NUMBERS					
		1/2"	1/2"	3/4"	3/4"	3/4"	1"
		30-1	30-1A	30-2	30-2A	30-3	30-4
1	Thermo Disc Only	**	**	**	C5940	**	C5940
2	Cap and Disc Assembly ***	C5838	C5838	C5838	C5838	C5838	C5838
5	Internal Mechanism Complete - Float, Lever & Hinge, Valve & Clip, Seat*	ML7277	ML7277	ML7277	ML7278	ML7279	ML7279
6	Cap Gasket	C2331	C5698	C2331	C5698	C2331	C2331
REF. NO.	SIZE TAPPING TRAP NUMBER ITEM	PART NUMBERS					
		1 1/4"	1 1/2"	1 1/2"	1 1/2"	2"	2"
		30-5	30-6	30-7	30-7A	30-8	30-8A
1	Thermo Disc Only	C5940	**	C5942	C5940	C5942	C5942
2	Cap and Disc Assembly	C5838	C5838	C5863	C5838	C5863	C5863
3	Thermo Trap Complete w/Manifold Gasket	C5817 w/C3645	C5817 w/C3645	C5818 w/C3737	C5817 w/C3645	C5818 w/C3737	C5818 w/C3737
4	Float Ball only*	C8233	C8233	C259	C8233	C259	C259
5	Internal Mechanism Complete - Adj. Screw & Valve, Nut with Float, Float Arm, Seat & cap gasket.	ML7280	ML7280	ML7281	ML7282	ML7283	ML7283
6	Cap Gasket	D333	C2389	D263	D333	D342	D263

** Old style 1A Disc only - not available.

a) *V* Victory Line Traps require the same parts as the above models.

b) No. 31 Float Traps require same parts as above except that the Thermo Trap is omitted and is replaced with a Blind Flange.

*** Thermostatic traps with worn or erroded seats can be repaired by using the CA-1 repair cartridge ML9609.