

Style SSA7

Y-Strainer

Stainless Steel (ASTM A 351, Grade CF8M)

150 lb. & 300 lb. Flanged



Cast 316 Stainless Steel Y-Strainer

APPLICATIONS

Steam, water, oil or gas where protection from foreign matter in a pipeline is required.

CONSTRUCTION

The Keckley Style SSA7 strainers are constructed from rugged 316 stainless steel castings and are machined to exacting specifications. These bodies have drilled flanges that are in accordance with ASME B16.5. All flanges come standard with back-faced bolt holes.

FEATURES

The Keckley Style SSA7 strainer features a machined groove in both the body and cover for proper screen alignment and to ensure accurate reseating when servicing is required. The gasket is 304 stainless steel spiral wound and is compressed between the body and cover (for maximum strength and durability) and designed for high pressure and high temperature service. All Keckley Style SSA7 strainers have cap screws and can be furnished with a stainless steel blow-off plug upon request.

Blind covers are available upon request.

SCREENS

Standard perforated 304 stainless steel screens are spot welded along the seam for maximum strength. Different size perforations and meshes are available in stainless steel, monel, and brass to meet specific media requirements. If media is not indicated, screens for *liquid* will be supplied.

SELF CLEANING

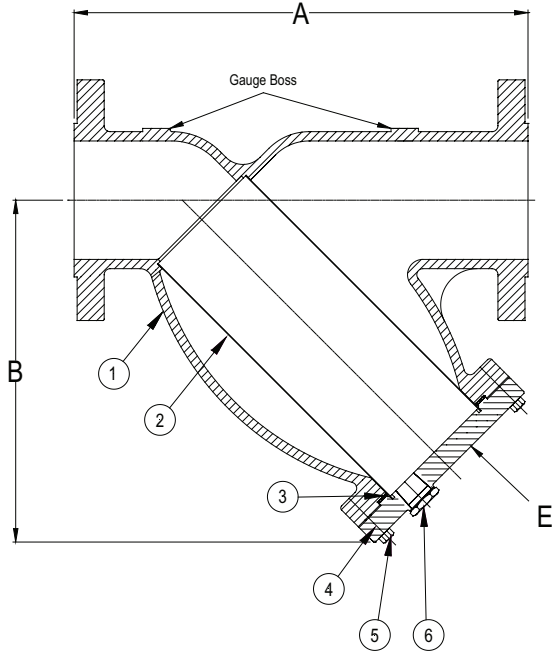
Self cleaning is accomplished by opening the valve or drain plug connected to the blow-off port. **Warning:** See Maintenance Instructions on page S6 of the Strainer Information Section for additional precautions and detailed information on servicing the strainer.

WORKING PRESSURES - NON SHOCK

NOM. RATING	MEDIA	1/2" to 12"	15 mm to 300 mm
150# R.F. & D. (STANDARD FLANGE)	STEAM	150 PSI @ 565°F	1035 KPa @ 296°C
	W.O.G.	275 PSI @ 100°F	1897 KPa @ 38°C
NOM. RATING	MEDIA	1/2" to 12"	15 mm to 300 mm
300# R.F. & D. (EX. HEAVY FLANGE)	STEAM	300 PSI @ 1125°F	2069 KPa @ 607°C
	W.O.G.	720 PSI @ 100°F	4966 KPa @ 38°C

Style SSA7

Y-Strainer, 150 lb. & 300 lb. Flanged
Stainless Steel (ASTM A 351, Grade CF8M)



PARTS LIST

ITEM	DESCRIPTION	MATERIAL
1*	Body	Stainless Steel (ASTM A 351, Grade CF8M)
2	Screen	Stainless Steel (304)
3	Gasket	Spiral Wound Stainless Steel (304)
4	Cover	Stainless Steel (ASTM A 351, Grade CF8M)
5	Hex Head Cap Screw	Stainless Steel (ASTM A 193, Grade B8)

Optional: Blow-off Plug, Stainless Steel (304).

*Optional Body Materials Available in 304 and 400 Series SS, Alloy 20, Hastelloy, Inconel, Monel and Stellite.

STANDARD SCREENS SUPPLIED

SIZE		SCREEN PERFORATION					
		FOR LIQUID		OPEN AREA	FOR STEAM		OPEN AREA
in	mm	in	mm		in	mm	
1/2 to 4	15 to 100	1/16	1.6	30%	3/64	1.2	33%
5 to 10	125 to 250	1/8	3.2	43%	3/64	1.2	33%
12 & 14	300 & 350	1/8	3.2	43%	1/16	1.6	30%

Standard screens supplied are for **liquid service**, unless otherwise specified. Options: Other perforations, meshes, and screen materials are available.

SIZE		DIMENSIONS										WEIGHTS			
		A				B				E		150#		300#	
		150#		300#		150#		300#		150# & 300#		150#		300#	
in	mm	in	mm	in	mm	in	mm	in	mm	in	mm	lbs	kgs	lbs	kgs
1/2	15	6-1/2	165	6-1/8	156	3-3/4	95	3-3/4	95	3/8	10	7	3.02	8	3.45
3/4	20	7-3/8	187	7-3/4	197	4-1/4	108	4-1/4	108	1/2	15	10	4.46	13	5.68
1	25	7-3/8	187	7-7/8	200	4-1/4	108	4-1/4	108	1/2	15	10	4.28	13	5.59
1-1/4	32	7	178	8-1/8	206	5-1/8	130	5-1/8	130	1/2	15	13	5.86	21	9.28
1-1/2	40	7-1/8	181	8-1/4	210	5-1/8	130	5-1/8	130	1/2	15	14	6.20	21	9.37
2	50	7-7/8	200	9-1/2	241	6	152	6	152	1/2	15	23	10.15	27	11.83
2-1/2	65	9-3/4	248	10-3/8	264	7	178	7	178	1	25	36	16.16	41	18.53
3	80	10-1/16	256	12	305	7-7/16	189	7-5/16	186	1	25	40	17.76	56	25.06
4	100	12-1/8	308	14-1/2	368	8-15/16	227	8-15/16	227	1-1/2	40	61	27.26	95	42.83
5	125	15-1/2	394	19-5/16	491	13-1/32	331	13-1/32	331	2	50	101	45.58	189	85.72
6	150	18-1/2	470	19-5/16	491	13-1/4	337	13-1/4	337	2	50	134	60.72	189	85.57
8	200	21-3/8	543	23-3/8	594	15-1/2	394	15-1/2	394	2	50	224	101.30	320	144.91
10	250	26	660	27-3/8	695	18-7/16	468	18-7/16	468	2	50	326	147.49	481	218.01
12	300	29-7/8	759	32	813	21-5/8	549	21-5/8	549	2	50	622	282.08	839	380.12
14	350	34-1/2	876	36	914	25	635	25	635	2	50	791	358.62	1017	460.96

[†]This table reflects only the nearest metric equivalents.

Dimensions and weights are for reference only. When required, request certified drawings. Face to face values have a tolerance in compliance with ASME B16.5.

TOTAL SCREEN AREA					
Size	(in ²)	Size	(in ²)	Size	(in ²)
1/2"	6.46	1-1/2"	18.68	4"	91.89
3/4"	12.32	2"	30.28	5"	209.41
1"	12.32	2-1/2"	46.91	6"	241.18
1-1/4"	18.68	3"	57.62	8"	342.86

(Total screen area listed for 150 lb. class only)

*See DETERMINING RATIOS on page S5 of the Strainer Information Section for calculating NET FREE AREA of the screen to inside pipe area.

PRESSURE vs. TEMPERATURE CHART

150# & 300# Flanged Stainless Steel (ASTM A 351, Grade CF8M)

