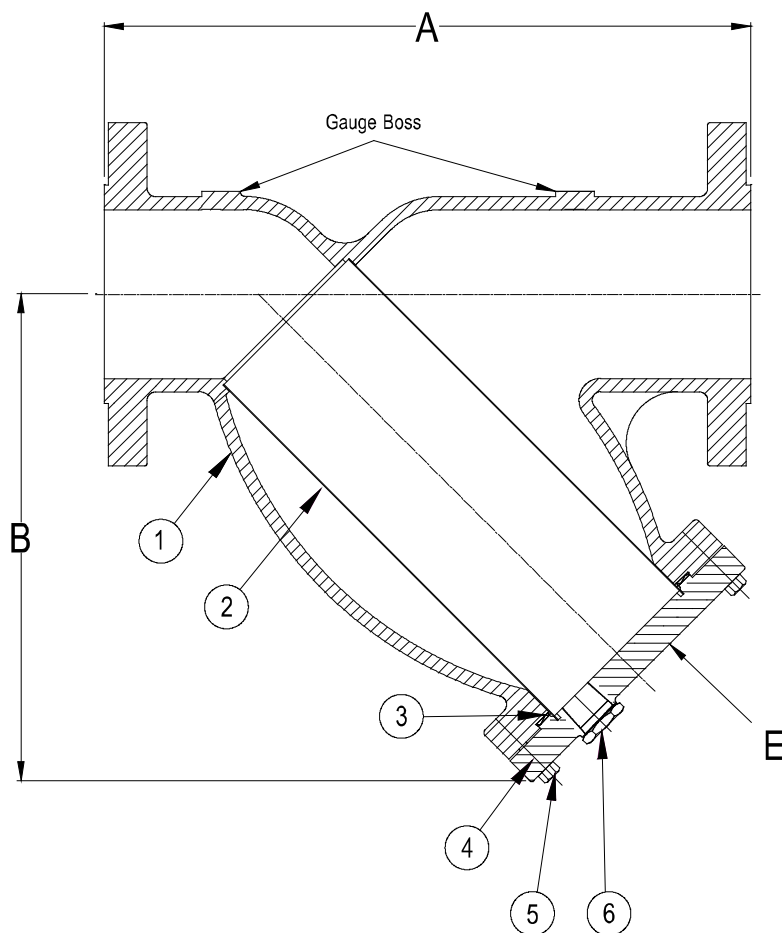


DRAWING NO.
AL 77026



PARTS LIST		
ITEM	DESCRIPTION	MATERIAL
1	BODY	STAINLESS STEEL (ASTM A 351, GRADE CF8M)
2	SCEEN	STAINLESS STEEL (304)
3	GASKET	SPIRAL WOUND STAINLESS STEEL (304) - GRAPHITE FILLER
4	COVER	STAINLESS STEEL (ASTM A 351, GRADE CF8M)
5	HEX HEAD CAP SCREWS	STAINLESS STEEL (ASTM A 193, GRADE B8)
6	PLUG	STAINLESS STEEL (ASTM A 182, GRADE F304)

Product Number†	SIZE	DIMENSIONS (in)			COVER		WEIGHT (lbs)
		A	B	E	No of Bolts	Size of Bolts	
1/24RFY-36062P34-GB	1/2	6-1/8	3-3/4	3/8	4	3/8-16 x 1-1/2	6
3/44RFY-36062P34-GB	3/4	7-3/4	4-1/4	1/2	4	3/8-16 x 1-1/2	13
14RFY-36062P34-GB	1	7-7/8	4-1/4	1/2	4	3/8-16 x 1-1/2	13
11/44RFY-36062P34-GB	1-1/4	8-1/8	5-1/8	1/2	4	3/8-16 x 1-1/2	19
11/24RFY-36062P34-GB	1-1/2	8-1/4	5-1/8	1/2	4	3/8-16 x 1-1/2	19
24RFY-36062P34-GB	2	9-1/2	6	1/2	4	1/2-13 x 1-3/4	33
21/24RFY-36062P34-GB	2-1/2	10-3/8	7	1	4	1/2-13 x 1-3/4	44
34RFY-36062P34-GB	3	12	7-5/16	1	4	1/2-13 x 1-3/4	58
44RFY-36062P34-GB	4	14-1/2	8-15/16	1-1/2	6	1/2-13 x 1-3/4	90
54RFY-36125P34-GB	5	19-5/16	13-1/32	2	12	5/8-11 x -2-1/4	180
64RFY-36125P34-GB	6	19-5/16	13-1/4	2	12	5/8-11 x -2-1/4	180
84RFY-36125P34-GB	8	23-3/8	15-1/2	2	12	5/8-11 x -2-3/4	304
104RFY-36125P34-GB	10	27-3/8	18-7/16	2	16	5/8-11 x -3	470
124RFY-36125P34-GB	12	32	21-5/8	2	20	5/8-11 x -3-1/4	709
144RFY-36125P34-GB	14	36	25	2	16	3/4-10 x 3-1/8	1300

†See "Style SSA7 Product Number Configuration" for additional options.

Dimension and weights are for reference only. When required, request certified drawings. Face to face values tolerance in compliance with ASME B16.5.

BODY PRESSURE & TEMPERATURE RATINGS - NON SHOCK

NOM. RATING	1/2" TO 14"
Class 300	720 PSI @ 100°F
	300 PSI @ 1125°F

STANDARD SCREENS SUPPLIED

SIZE	SCREEN PERFORATION			
	FOR LIQUID	OPEN AREA	FOR STEAM	OPEN AREA
in	in		in	
1/2 to 4	1/16	30%	3/64	33%
5 to 10	1/8	43%	3/64	33%
12 to 14	1/8	43%	1/16	30%

Standard screens supplied are for liquid service, unless otherwise specified. Options: Other perforations, meshes, and screen materials are available.



3400 CLEVELAND SKOKIE ILLINOIS

DRAWING NO.

AL 77026

DIMENSIONAL ASSEMBLY

PART NO.

1/2" to 14" Class 300 RF Flg Style SSA7

SCALE: NTS

DATE: 12/05/2022

MAT'L: (As Noted Above)

REQ. ---

DR. BY DSF