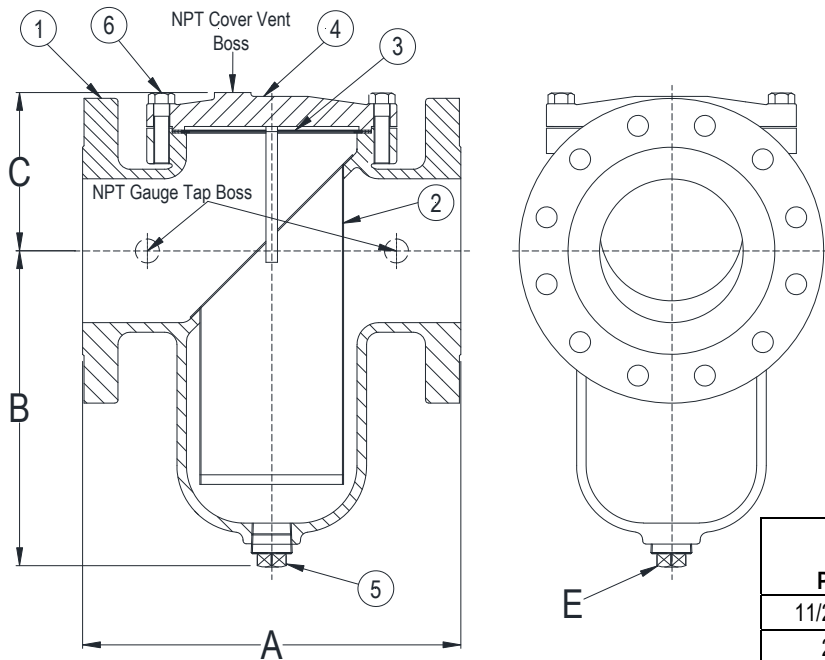


DRAWING NO.  
AL 91200



BODY PRESSURE & TEMPERATURE RATINGS – NON SHOCK		
NOM. RATING	MEDIA	1-1/2" to 14"
150# (STANDARD FLANGE)	STEAM	150 PSI @ 565°F
	W.O.G.	285 PSI @ 100°F

PARTS LIST		
ITEM	DESCRIPTION	MATERIAL
1	BODY	CAST CARBON STEEL (ASTM A 216, GRADE WCB)
2	BASKET	STAINLESS STEEL (304)
3	GASKET	SPIRAL WOUND STAINLESS STEEL (304) – GRAPHITE FILLED
4	COVER	CAST CARBON STEEL (ASTM A 216, GRADE WCB)
5	PIPE PLUG	CARBON STEEL (A 105)
6	HEX HEAD CAP SCREW	CARBON STEEL (ASTM A 193, GRADE B7)


Product Number†	SIZE	DIMENSIONS (in)				COVER		WEIGHT (lbs)
		A	B	C	E	No. of Bolts	Size of Bolts	
11/22RFS-CS062P34-GB	1-1/2	6-1/2	4-1/2	4	1/2	4	5/8-11 x 1-5/8	22
22RFS-CS062P34-GB	2	8-1/2	5-7/8	4-3/4	1/2	6	1/2-13 x 1-1/4	30
21/22RFS-CS062P34-GB	2-1/2	8	5-7/16	4-1/4	3/4	4	5/8-11 x 1-1/2	35
32RFS-CS062P34-GB	3	8-3/4	5-11/16	5-5/8	3/4	6	1/2-13 x 1-1/2	39
42RFS-CS062P34-GB	4	11-3/16	8-1/4	6-1/16	1	6	1/2-13 x 1-3/4	69
52RFS-CS125P34-GB	5	12-1/4	10-1/4	5-5/8	1	8	5/8-11 x 2	110
62RFS-CS125P34-GB	6	13-7/8	12-13/64	6-5/16	1-1/4	8	5/8-11 x 2	125
82RFS-CS125P34-GB	8	17-3/8	15-9/16	8-3/16	1-1/2	8	5/8-11 x 2-1/4	270
102RFS-CS125P34-GB	10	22	16	10-3/8	1-1/2	12	5/8-11 x 2-3/4	360
122RFS-CS125P34-GB	12	25	23-3/4	12-3/8	2	16	5/8-11 x 2-3/4	450
142RFS-CS125P34-GB	14	34-5/16	28	16-1/2	2	12	7/8-9 x 3-3/4	1550

†See "Style SGFV Product Number Configuration" for additional options.  
Face to face values tolerance in compliance with ASME B16.5.

STANDARD SCREENS SUPPLIED

SIZE	SCREEN PERFORATION			
	FOR LIQUID	OPEN AREA	FOR STEAM	OPEN AREA
in	in		in	
1-12 to 4	1/16	30%	3/64	33%
5 to 14	1/8	43%	1/16	30%

Standard screens supplied are for **liquid service**, unless otherwise specified.  
Options: Other perforations, meshes, and screen materials are available.

 3400 CLEVELAND SKOKIE ILLINOIS	DRAWING NO. AL 91200
	PART NO.
DIMENSIONAL ASSEMBLY	SCALE: NTS
150# Flange Style SGFV Carbon Steel	DATE: 09/21/2020
Basket Strainer w/ 304 ss screen	DR. BY DSF
MAT'L:	REQ. ---