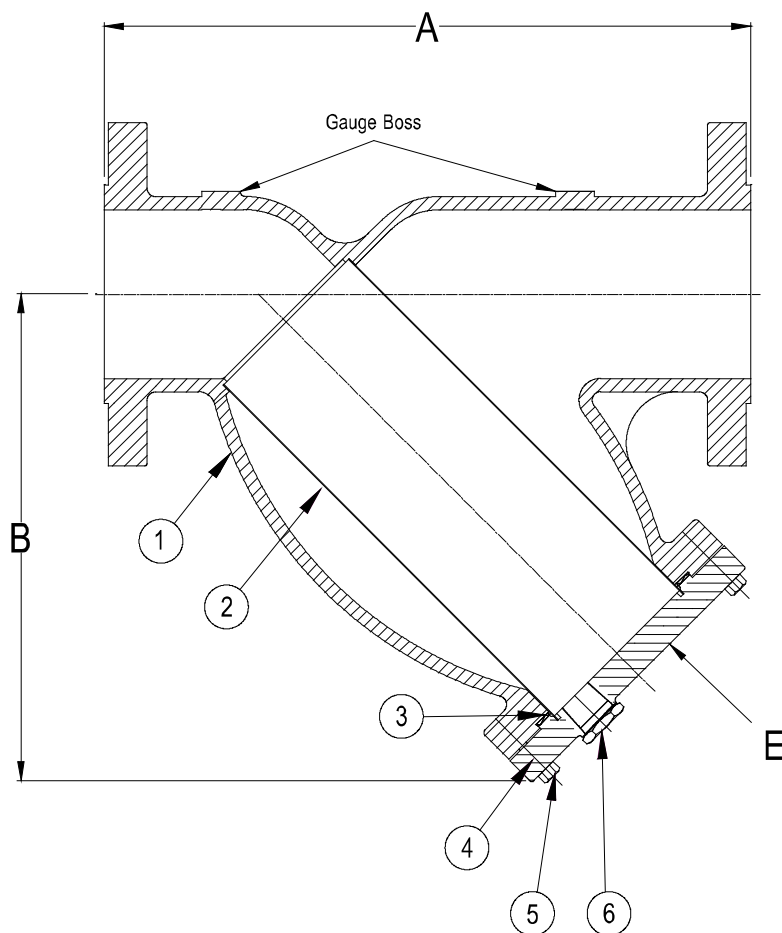


DRAWING NO.
AL 77020



PARTS LIST		
ITEM	DESCRIPTION	MATERIAL
1	BODY	CARBON STEEL (ASTM A 216, GRADE WCB)
2	SCEEN	STAINLESS STEEL (304)
3	GASKET	SPIRAL WOUND STAINLESS STEEL (304) - GRAPHITE FILLER
4	COVER	CARBON STEEL (ASTM A 216, GRADE WCB)
5	HEX HEAD CAP SCREWS	ALLOY STEEL (ASTM A 193, GRADE B7)
6	PLUG	CARBON STEEL (ASTM A 105)

Product Number†	SIZE	DIMENSIONS (in)			COVER		WEIGHT (lbs)
		A	B	E	No of Bolts	Size of Bolts	
1/22RFY-CS062P34-GB	1/2	6-1/2	3-3/4	3/8	4	3/8-16 x 1-1/2	7
3/42RFY-CS062P34-GB	3/4	7-3/8	4-1/4	1/2	4	3/8-16 x 1-1/2	11
12RFY-CS062P34-GB	1	7-3/8	4-1/4	1/2	4	3/8-16 x 1-1/2	11
11/42RFY-CS062P34-GB	1-1/4	7	5-1/8	1/2	4	3/8-16 x 1-1/2	12
11/22RFY-CS062P34-GB	1-1/2	7-1/8	5-1/8	1/2	4	3/8-16 x 1-1/2	14
22RFY-CS062P34-GB	2	7-7/8	6	1/2	4	1/2-13 x 1-3/4	22
21/22RFY-CS062P34-GB	2-1/2	9-3/4	7	1	4	1/2-13 x 1-3/4	32
32RFY-CS062P34-GB	3	10-1/16	7-7/16	1	4	1/2-13 x 1-3/4	41
42RFY-CS062P34-GB	4	12-1/8	8-15/16	1-1/2	4	1/2-13 x 1-3/4	63
52RFY-CS125P34-GB	5	15-1/2	13-1/32	2	8	5/8-11 x -2-1/4	111
62RFY-CS125P34-GB	6	18-1/2	13-1/4	2	8	5/8-11 x -2-1/4	136
82RFY-CS125P34-GB	8	21-3/8	15-1/2	2	12	5/8-11 x -2-1/4	212
102RFY-CS125P34-GB	10	26	18-7/16	2	12	5/8-11 x -2-1/4	280
122RFY-CS125P34-GB	12	29-7/8	21-5/8	2	16	5/8-11 x -2-1/4	460
142RFY-CS125P34-GB	14	34-1/2	25	2	12	3/4-10 x 3-1/4	980

†See "Style SA7 Product Number Configuration" for additional options.
Dimension and weights are for reference only. When required, request certified drawings.
Face to face values tolerance in compliance with ASME B16.5.

BODY PRESSURE & TEMPERATURE RATINGS - NON SHOCK	
NOM. RATING	1/2" TO 14"
Class 150	285 PSI @ 100°F
	150 PSI @ 565°F

STANDARD SCREENS SUPPLIED				
SIZE	SCREEN PERFORATION			
	FOR LIQUID	OPEN AREA	FOR STEAM	OPEN AREA
in	in		in	
1/2 to 4	1/16	30%	3/64	33%
5 to 10	1/8	43%	3/64	33%
12 to 14	1/8	43%	1/16	30%

Standard screens supplied are for liquid service, unless otherwise specified.
Options: Other perforations, meshes, and screen materials are available.

DRAWING NO.	
AL 77020	
PART NO.	
DIMENSIONAL ASSEMBLY	
1/2" to 14" Class 150 RF Flg Style SA7	
SCALE: NTS	
DATE: 11/04/2022	
MAT'L: (As Noted Above)	REQ. ---
DR. BY	DSF



3400 CLEVELAND SKOKIE ILLINOIS