

Style F150

Y-Strainer

Cast Bronze (ASTM B 584, C84400)

125 lb. Threaded



Style E150

Y-Strainer

Cast Bronze (ASTM B 584, C84400)

125 lb. Solder Joint



Cast Bronze Y-Strainer

APPLICATIONS

Steam, water, oil or gas where protection from foreign matter in a pipeline is required.

CONSTRUCTION

The Keckley Style F150 & E150 strainers are constructed from the finest bronze castings and are machined to exacting specifications.

Solder Joint Ends are in compliance with ASME B16.18 unless otherwise specified.

FEATURES

The Keckley Style F150 & E150 strainers feature a machined seat in the body and cap for proper alignment and to ensure accurate reseating when servicing is required. These strainers have a straight threaded cap and are furnished standard with a NPT blow-off connection. The gasket is a flat fiber gasket that is compressed between the body and cap for maximum strength and durability. Keckley Style F150 & E150 strainers are furnished with a bronze blow-off plug unless otherwise specified.

SCREENS

Standard screens are 20 mesh 304 stainless steel through size 2". Sizes 2-1/2", 3" and 4" are furnished with 3/64" perforated 304 stainless steel screens. All screens are spot welded for maximum strength. Different size perforations and meshes are available in stainless steel, monel, and brass to meet specific media requirements.

SELF CLEANING

Self cleaning is accomplished by opening the valve or drain plug connected to the blow-off port. **Warning:** See Maintenance Instructions on page S6 of the Strainer Information Section for additional precautions and detailed information on servicing the strainer.

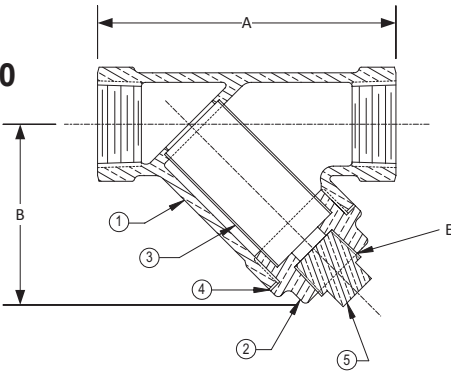
WORKING PRESSURES - NON SHOCK

NOM. RATING	MEDIA	1/4" to 3"	8 mm to 80 mm
125# (THREADED & SOLDER JOINT)	STEAM	125 PSI @ 400°F	862 KPa @ 204°C
	W.O.G.	200 PSI @ 150°F	1379 KPa @ 66°C

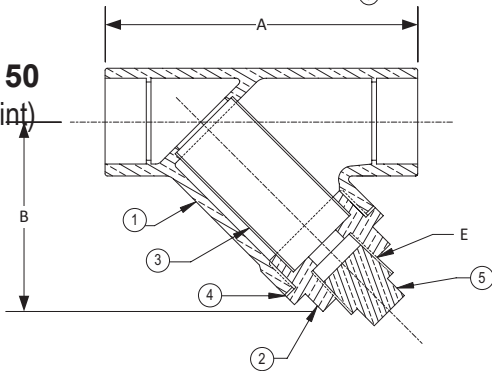
Style F150 & E150

Y-Strainer, 125 lb. Threaded & Solder Joint
Cast Bronze (ASTM B 584, C84400)

Style F150
(Threaded)



Style E150
(Solder Joint)



PARTS LIST

ITEM	DESCRIPTION	MATERIAL
1	Body	Bronze (ASTM A B584, C84400)
2	Cap	Bronze (ASTM A B584, C84400)
3	Screen	Stainless Steel (304)
4	Gasket	Composition
5	Plug	Bronze (ASTM A B584, C84400)

STANDARD SCREENS SUPPLIED

SIZE		SCREEN PERFORMANCE					
in	mm	FOR LIQUID		OPEN	FOR STEAM		OPEN AREA
		in	mm	AREA	in	mm	
1/4 to 2	8 to 50	20 MESH STAINLESS STEEL					49%
2-1/2 to 3	65 to 80	3/64	1.2	33%	3/64	1.2	33%

Standard screens supplied are for **liquid service**, unless otherwise specified.
Options: Other meshes, perforations, and screen materials are available.

SIZE		DIMENSIONS										WEIGHTS					
		A				B				E		F150		E150			
		F150		E150		F150		E150		F150		E150		F150		E150	
in	mm	in	mm	in	mm	in	mm	in	mm	in	mm	in	mm	lbs	kgs	lbs	kgs
1/4	8	3-3/16	81	3-3/8	86	2-1/4	57	2-1/4	57	3/8	10	3/8	10	0.80	0.4	0.75	0.3
3/8	10	3-3/16	81	3-3/8	86	2-1/4	57	2-1/4	57	3/8	10	3/8	10	0.80	0.4	0.75	0.3
1/2	15	3-3/16	81	3-3/8	86	2-1/4	57	2-1/4	57	3/8	10	3/8	10	0.80	0.4	0.75	0.3
3/4	20	3-15/16	100	4-1/4	108	2-5/8	67	2-5/8	67	3/8	10	3/8	10	1.20	0.5	1.00	0.5
1	25	4-1/2	114	5	127	3	76	3-3/16	81	1/2	15	1/2	15	1.80	0.8	2.25	1.0
1-1/4	32	5-5/16	135	5-7/8	149	3-9/16	90	3-3/4	95	1/2	15	1/2	15	2.70	1.2	2.75	1.2
1-1/2	40	6-3/16	157	6-7/8	175	4	102	4-1/8	105	1/2	15	1/2	15	3.60	1.6	3.25	1.5
2	50	7-1/2	191	8-5/8	219	4-5/8	117	5-1/8	130	1/2	15	1/2	15	5.60	2.5	5.75	2.6
2-1/2	65	9	229	10-3/8	264	5-1/2	140	5-3/4	146	1/2	15	1/2	15	10.00	4.5	8.50	3.9
3	80	10-1/8	257	11-3/4	298	6-1/8	156	6-1/2	165	1/2	15	1/2	15	13.50	6.1	12.50	5.7

¹This table reflects only the nearest metric equivalents.

Dimensions and weights are for reference only. When required, request certified drawings.

Face to face values for threaded strainers have a tolerance in compliance with ASME

B16.15 and solder joint strainers have a tolerance in compliance with ASME B16.18.

FLOW COEFFICIENTS

Size	C _v	Size	C _v	Size	C _v
1/4"	9.5	1"	30	2-1/2"	129.7
3/8"	9.5	1-1/4"	44.9	3"	161.3
1/2"	9.5	1-1/2"	61		
3/4"	18.7	2"	98		

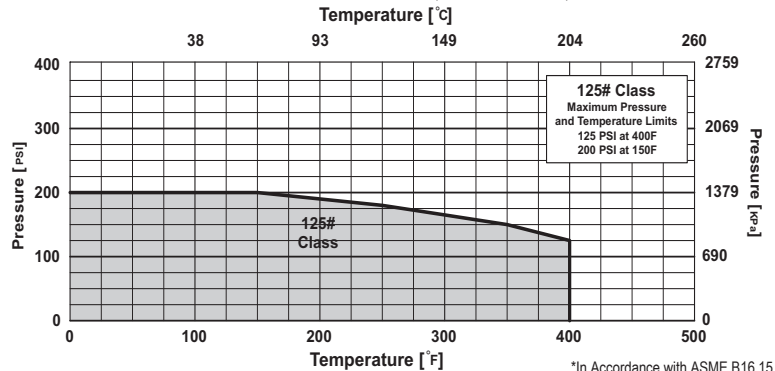
TOTAL SCREEN AREA

Size	(in ²)	Size	(in ²)	Size	(in ²)
1/4"	3.09	1"	9.54	2-1/2"	46.98
3/8"	3.09	1-1/4"	14.26	3"	62.87
1/2"	3.09	1-1/2"	19.94		
3/4"	7.36	2"	33.39		

*See DETERMINING RATIOS on page S5 of the Strainer Information Section for calculating NET FREE AREA of the screen to inside pipe area.

PRESSURE vs. TEMPERATURE CHART

125# Threaded & Solder Joint Bronze (ASTM B 584, C84400)



*In Accordance with ASME B16.15

PRESSURE DROP CHART

Threaded “Y” Pattern Strainers (Styles B, BDI, E150, F150, F300, SB, SB7, SSB and SSB7)

This pressure drop chart is based on the flow of clean water through the Keckley “Y” strainers listed above with screen perforations ranging from 3/64” through 1/8” and is additionally for use with those units equipped with a 20 mesh screen as standard.

TO USE CHARTS:

Find your desired rate of flow (GPM) on the left hand side of the chart. Follow its corresponding horizontal line to the point where it intersects the diagonal line indicating the strainer pipe size. From this point of intersection, follow the vertical line down to the bottom of the chart to determine the approximate pressure drop.

CORRECTION FACTORS:

For finer mesh screens that are backed with a perforated sheet, multiply the pressure drops shown at right by the following:

- 40 mesh x 1.2
- 60 mesh x 1.4
- 80 mesh x 1.6
- 100 mesh x 1.7

