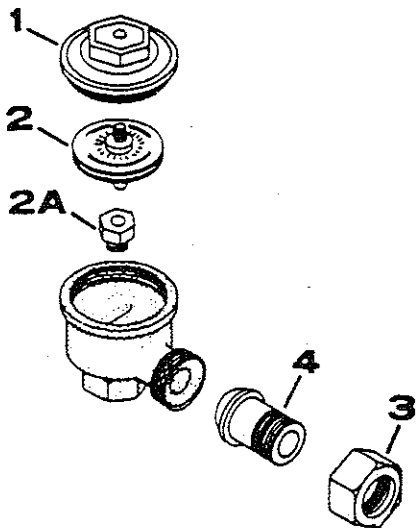


SERIES G, GH, MG, MGH, HG, AND T THERMOSTATIC TRAP PARTS



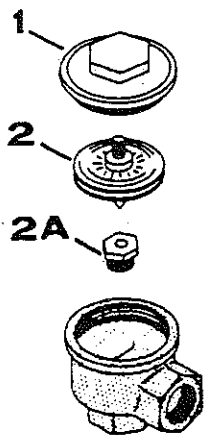
SERIES G AND MG

ITEM	PART DESCRIPTION	WHERE USED	REFERENCE NUMBER	ORDERING NUMBER
1	Diaphragm Covers	1G, 3GH 2G, 3G 4G, 4MG, 5G, 5MG 1MG, 3MGH 2MG, 3MG, 5MGH	6P-119 6P-177 6P-203 6P-227 6P-244	858118 858126 858134 858142 858159
		Series T	①	①
2	Diaphragm	1G, 3GH 2G, 3G 4G, 4MG, 5G, 5MG 1MG, 0HG, 3MGH 2MG, 3MG, 2HG, 3HG (H-3), 5MGH Nos. 1T and 2T	6SA-125 6SA-180 6SA-263 6SA-228	858167 858175 858183 858191
			6SA-245 6SA-304	858209 858217
2A	Diaphragm Seat	1G, 1MG, 3GH, 3MGH 2G, 2MG 3G, 3MG, 5MGH 4G, 4MG, 5G, 5MG 0HG, 2HG	6P-124 6P-10002 6P-179 6P-206 6P-274	858225 858233 858241 858258 858266
3	Union Nut		See Below	
4	Tailpiece		See Below	

NOTES:

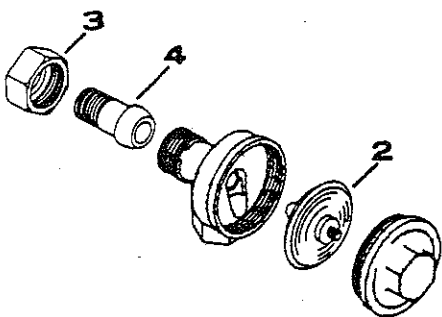
① If covers or bodies are required, replace entire unit with current "GT" Series Interchangeable Traps. These are available to replace Series "T" Traps, Sizes 1 and 2.

TAILPIECES AND UNION NUTS



SERIES HG

SIZE	PART DESCRIPTION	WHERE USED	REFERENCE NUMBER	ORDERING NUMBER
1/2" x 1/2"	Tailpiece, Male Thread	1/2" - 65A 1/2" - Series 4000 & 4700 1G, 1MG	6P-120	858274
		2G, 2MG, 1T, 2T	6P-308	858282
		1/2" - 65, 1/2" - 55	6P-709	858290
3/4" x 3/4"	Tailpiece, Male Thread	3/4" - 65, 3/4" - 55 3/4" - Series 4000 & 4700 3G, 3MG, 3GH, 3MGH, 3T, 3GT, 4G, 4MG	6P-741	858308
1" x 1"		1" - 65, 1" - 55 1" - Series 4000 & 4700 5G, 5MG, 5MGH	6P-204	858316
1 1/4" x 1 1/4"		1 1/4" - 65, 1 1/4" - 55 1 1/4" - Series 4000 & 4700	6P-779	858324
1 1/2" x 1 1/2"		1 1/2" - 65, 1 1/2" - 55	6P-793	858332
		Union Nut	1/2" - 65A 1/2" - Series 4000 & 4700 1G, 1MG	6P-121
	2G, 2MG, 1T, 2T		6P-309	858357
	1/2" + 3/4" - 65, 1/2" + 3/4" - 55 3/4" - Series 4000 & 4700 3G, 3MG, 3GH, 3MGH, 3T, 3GT, 1VGDU①, 1VMGDU①		6P-123	858365
	1" - 65, 1" - 55 1" - Series 4000 & 4700 5G, 5MG, 5MGH		6P-205	858373
	1 1/4" - 65, 1 1/4" - 55 1 1/4" - Series 4000 & 4700		6P-780	858381
	1 1/2" - 65, 1 1/2" - 55		6P-794	858399



SERIES T ①

① Outlet Only.

THERMOSTATIC TRAP DIAPHRAGM AND DIAPHRAGM SEAT IDENTIFICATION

**OHG, 1G, 1MG, 2HG
3HG, 3G, 3MG, 5MG
DIAPHRAGM**

**T
DIAPHRAGM**

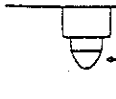
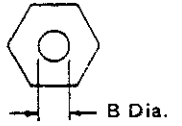
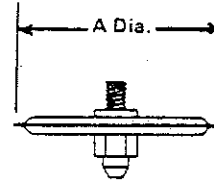
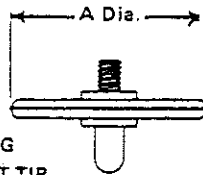
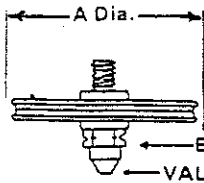
**GS
DIAPHRAGM
(OBSOLETE)
REPLACE WITH 6SA-125**

**G AND GS
DIAPHRAGM SEAT**

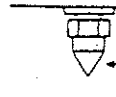
Stainless Steel Valve Cone

Brass Valve Cone

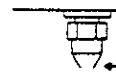
Brass Valve Cone



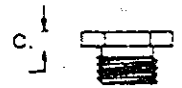
VALVE CONE - ROUNDED TIP
(1G - EARLIER MODEL)



VALVE CONE - POINTED TIP
(EARLIER MODELS - MG-HG)



VALVE CONE - BLUNT TIP
(1G, 3G - EARLIER MODEL)



**G SEAT -
HARDENED STAINLESS STEEL**

GS SEAT - BRASS

**OBSOLETE -
REPLACE WITH "G" SEAT 6P-124**

USED IN TRAP NO.	MAXIMUM PRESSURE PSI	DIAPHRAGM				DIAPHRAGM SEAT			
		A (INCHES)	VALVE CONE	REFERENCE NUMBER	ORDERING NUMBER	B (INCHES)	C (INCHES)	REFERENCE NUMBER	ORDERING NUMBER
1G - 3GH	25	1 1/16	Blunt	6SA-125	858167	1/4	1/8	6P-124	858225
6G - 7G - 8G 91G 101G - 111G 9G Obsolete 10G Obsolete	15								
2G Obsolete	15								
3G	25	2 1/4	Blunt	6SA-180	858175	5/16	3/16	6P-10002	858233
1MG - 3MGH	65	1 1/16	Blunt (NOTCHED)	6SA-228	858191	1/4	1/8	6P-124	858225
6MG - 7MG - 8MG 91MG 101MG - 111MG 9MG Obsolete 10MG Obsolete	50								
OHG	150								
2MG Obsolete	50								
3MG - 5MGH	65								
2HG	150	2 1/4	Blunt (NOTCHED)	6SA-245	858209	3/8	1 5/16	6P-179	858241
3HG	150	2 3/4	Blunt	6SA-263	858183	7/32	3/16	6P-274	858266
4G - 4MG Obsolete	50					1/2	3/16	6P-206	858258
5G - 5MG	50	2 7/16	Ball	6SA-304	858217	1/4	1/8	(1)	-
1T Obsolete 2T Obsolete 2AT Obsolete	15								
3T Obsolete	15								
5T Obsolete	15								
1GS Obsolete	15	1 3/4	Blunt	(1)	-	1/4	1/8	(1)	-

*Denotes parts not available.

(1) 1G diaphragms and seats are used to replace obsolete 1GS parts.

If seats in Series T trap bodies are worn, replace entire trap with interchangeable model. See service instructions.