

ILLINOIS HEATING/COOLING SPECIALTIES

SERVICE PARTS AND MAINTENANCE

INSTRUCTIONS

INTRODUCTION

Illinois Products are designed and manufactured to provide many years of maintenance-free service. Like any operating equipment, they are subject to wear and eventually will require inspection and perhaps maintenance service.

This booklet has been prepared to aid in the service and maintenance of Illinois traps and valves. It includes complete parts drawings, and cleaning and servicing instructions for all current Illinois Products. This is also provided for many non-current items.

We take pride in the fact that many of the very old models of Illinois traps, some dating from the turn of the century, are still in service. Repair parts for these now obsolete products are not available. For these obsolete traps which have long since earned their retirement, current complete replacements are available. You'll find the "Obsolete Products Section" a convenient guide in selecting replacements for obsolete traps.

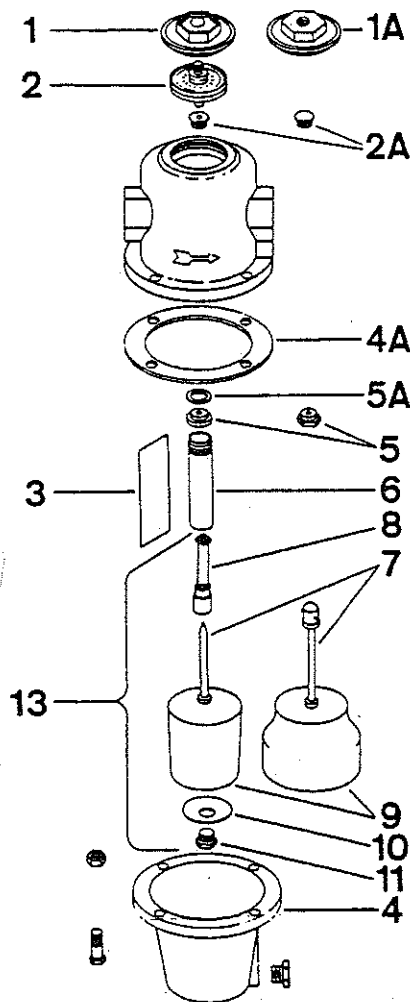
One of the important features of Illinois Products is that they are designed to be serviced easily and quickly by anyone in the field. The service instructions given are offered as a means of efficiently providing whatever service might be required.

Your local representative can provide or obtain for you any additional service information you might require.

INDEX

RADIATOR VALVES	Page 2
BALANCING VALVES	Page 3
TERMINAL EQUIPMENT SERVICE VALVES	Page 3
THERMOSTATIC TRAPS	Pages 4 and 5
TAILPIECES AND UNION NUTS	Page 4
FLOAT AND THERMOSTATIC TRAPS	Pages 6 and 7
SERIES 71 INVERTED BUCKET TRAPS	Page 8
NUMBER 30 TRAPS	Page 9
SERIES 61, 62, 35, 36 AND ECLIPSE TRAPS	Pages 9 thru 11
SERIES 12H, 13H, AND 14H F&T TRAPS	Page 12
OBSOLETE TRAPS AND REPLACEMENTS	Page 13
SERVICE INSTRUCTIONS	Pages 14 thru 16

SERIES G, MG, GF AND MGF FLOAT AND THERMOSTATIC TRAP PARTS ©



ITEM	PART DESCRIPTION	WHERE USED	REFERENCE NUMBER	ORDERING NUMBER
1	Diaphragm Cover - "G" Diaphragm Cover - "MG"	All Sizes - Series "G"	6P-119	858118
		All Sizes - Series "MG"	6P-227	858142
1A	Diaphragm Cover - "GF"	All Sizes - Series "GF" and "MGF"	6P-602	859017
2	Diaphragm - Series "G" Diaphragm - Series "MG"	All Sizes - Series "G"	6SA-125	858167
		All Sizes - Series "MG"	6SA-228	858191
2A	Diaphragm Seat Diaphragm Plug	All Sizes - Series "G" and "MG" All Sizes - Series "GF" and "MGF"	6P-124 6P-603	858225 859025
3	Baffle (Not required in recent models of Sizes 6, 7, 8 and 101)	Size 91 - 1 1/2"	6P-464	859033
		Size 9 - 1 1/2"	6P-474	859041
		Size 10 - 2"; Size 111 - 2"	6P-504	859058
4A	Cover Gasket	Size 6 - 3/4"	6P-14474	859066
		Size 7 - 1"	6P-438	859074
		Size 8 - 1 1/4"	6P-438	859074
		Size 91 - 1 1/2"	6P-470	859082
		Size 9 - 1 1/2"; Size 101 - 2" Size 10 - 2"; Size 111 - 2"	6P-490 6P-518	859090 859108
5	Valve Seat	See Next Page	—	—
5A	Valve Seat Gasket	Size 6 - 3/4"	6P-407	859116
		Size 7 - 1"	6P-808	859124
		Size 8 - 1 1/4"	6P-808	859124
		Size 91 - 1 1/2"	6P-808	859124
		Size 9 - 1 1/2"; Size 101 - 2" Size 10 - 2"; Size 111 - 2"	6P-477 6P-507	859132 859140
6	Discharge Tube	Size 6 - 3/4"	6P-408	859157
		Size 7 - 1"	6P-809	859165
		Size 8 - 1 1/4"	6P-809	859165
		Size 91 - 1 1/2"	6P-465	859173
		Size 9 - 1 1/2"; Size 101 - 2" Size 10 - 2"; Size 111 - 2"	6P-478 6P-508	859181 859199
7	Valve Stem Assembly ① ②	Size 91 - 1 1/2" ①	6A-522	859207
		Size 9 - 1 1/2"; Size 101 - 2" ①	6A-523	859215
		Size 10 - 2"; Size 111 - 2" ②	6A-524	859223
8	Valve Stem Guide ③	Size 91 - 1 1/2"	6P-469	859231
		Size 9 - 1 1/2"; Size 101 - 2"	6P-483	859249
		Size 10 - 2"; Size 111 - 2"	6P-513	859256
9	Float ④	Size 91 - 1 1/2"	6P-467	859264
		Size 9 - 1 1/2"; Size 101 - 2"	6P-480	859272
		Size 10 - 2"; Size 111 - 2"	6P-510	859280
10	Float Reinforcing Plate ⑤	Size 91 - 1 1/2"	6P-853	859298
		Size 9 - 1 1/2"; Size 101 - 2"	6P-481	859306
		Size 10 - 2"; Size 111 - 2"	6P-511	859314

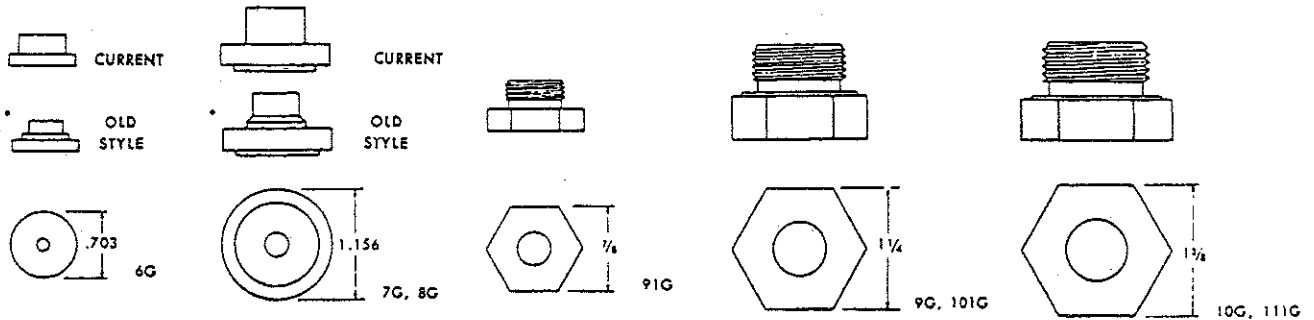
SERIES G, MG, GF AND MGF FLOAT AND THERMOSTATIC TRAP PARTS (Cont.) [Ⓢ]

ITEM	PART DESCRIPTION	WHERE USED	REFERENCE NUMBER	ORDERING NUMBER
11	Float Retaining Nut [Ⓢ]	Size 91 - 1 1/2"	6P-854	859322
		Size 9 - 1 1/2"; Size 101 - 2"	6P-482	859330
		Size 10 - 2"; Size 111 - 2"	6P-512	859348
13	Float Assembly (Includes — Float, Float Reinforcing Plate, Float Retaining Nut, Valve Stem Guide and Valve Stem Assembly)	Size 6 - 3/4"	6SA-409	859355
		Size 7 - 1"	6SA-457	859363
		Size 8 - 1 1/4"	6SA-457	859363
		Size 91 - 1 1/2"	6SA-466	859371
		Size 9 - 1 1/2"; Size 101 - 2"	6SA-479	859389
		Size 10 - 2"; Size 111 - 2"	6SA-509	859397

NOTES:

Ⓢ Valve and stem furnished as an assembly, including valve, stem, jam nut and cotter pin.

Ⓢ For Sizes 6, 7 and 8 F&T Traps this item is available only as part of float assembly, Item 13.



*Undercut Eliminated in 1966

ITEM 5 — VALVE SEATS

SERIES AND MAXIMUM PRESSURE	TRAP NUMBER	LETTER OR NUMBER STAMPED ON SEAT	REFERENCE NUMBER	ORDERING NUMBER
Series G - GF 15 PSIG	Size 6 - 3/4"	P	6P-406	859405
	Size 7 - 1"	K	6P-436	859413
	Size 8 - 1 1/4"	A	6P-456	859421
	Size 91 - 1 1/2"	91-15	6P-193	859439
	Size 101 - 2"	101-15	6P-498	859447
	Size 111 - 2"	111-15	6P-596	859454
	Size 9 - 1 1/2"	H	6P-476	859462
	Size 10 - 2"	U	6P-506	859476
Series MG - MGF 30 PSIG	Size 6 - 3/4"	S	6P-553	859488
	Size 7 - 1"	D	6P-1036	859496
	Size 8 - 1 1/4"	C	6P-1035	859504
	Size 91 - 1 1/2"	91-30	6P-194	859512
	Size 101 - 2"	101-30	6P-499	859520
	Size 111 - 2"	111-30	6P-597	859538
	Size 9 - 1 1/2"	M	6P-1597	859546
	Size 10 - 2"	V	6P-1599	859553
Series MG - MGF 50 PSIG	Size 6 - 3/4"	S	6P-553	859488
	Size 7 - 1"	E	6P-1037	859561
	Size 8 - 1 1/4"	D	6P-1036	859496
	Size 91 - 1 1/2"	91-50	6P-195	859579
	Size 101 - 2"	101-50	6P-500	859587
	Size 111 - 2"	111-50	6P-598	859595
	Size 9 - 1 1/2"	N	6P-1598	859603
	Size 10 - 2"	X	6P-1600	859611

INTERNAL REBUILD KITS [Ⓢ]

SERIES AND MAXIMUM PRESSURE	TRAP NUMBER	REFERENCE NUMBER	ORDERING NUMBER
Series G 15 PSIG	Size 6G - 3/4"	6A-2641	859629
	Size 7G - 1"	6A-2645	859637
	Size 8G - 1 1/4"	6A-2651	859645
	Size 91G - 1 1/2"	6A-2657	859652
	Size 101G - 2"	6A-2663	859660
	Size 111G - 2"	6A-2669	859678
	Size 9G - 1 1/2"	6A-2675	859686
	Size 10G - 2"	6A-2681	859694

NOTE: [Ⓢ] Includes Items 3, 4A thru 11 and Items 2, 2A where required.