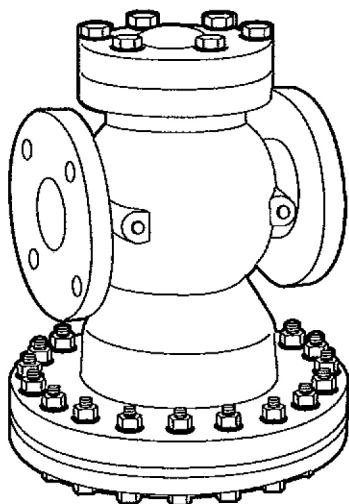


<p>JOB:</p>   <p>UNIT TAG:</p> <p>ENGINEER:</p> <p>CONTRACTOR:</p>	<p>REPRESENTATIVE:</p>   <p>ORDER NO.</p> <p>SUBMITTED BY:</p> <p>APPROVED BY:</p>	<p>DATE:</p> <p>DATE:</p> <p>DATE:</p>
---	---	--



# Hoffman Specialty®

## Series 2000 Pressure and/or Temperature Steam Regulators Main Valves Model 2300

Flanged Ends, 250 psig (17.3 bar) Max.  
Maximum Temperature: 450°F (232°C)

Initial Pressure: \_\_\_\_\_ psig(bar)

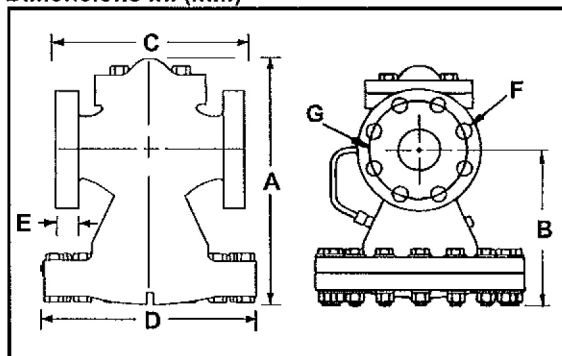
Initial Temperature: \_\_\_\_\_ °F (°C) saturated

Delivery Pressure: \_\_\_\_\_ psig(bar)

Required Capacity: \_\_\_\_\_ lb/hr(kg/hr)

Materials of Construction	
Part	Specifications
Body	Cast Iron ASTM A126-71
Stem	Stainless Steel ASTM A581, A582
Seat	Stainless Steel ASTM A582
Plug	Stainless Steel ASTM A582
Diaphragm	Stainless Steel ASTM A240
Gaskets	ASTM F-104
Nuts/Bolts	ASTM A325 GRADE 5
Copper Tubing	ASTM B75 ALLOY 122

**Dimensions in. (mm)**



Valve Size in. (mm)	Dimensions in. (mm)					Bolt Holes			Weight (Approx.) lbs. (kg)
	A	B	C	D	E	Hole Dia. in. (mm) F	No. of holes	Bolt circ. in. (mm) G	
2 (50)	11-3/4 (298)	7-5/8 (194)	8-1/2 (216)	10 (254)	7/8 (22)	3/4 (19)	8	5 (127)	70 (32)
2-1/2 (65)	15-5/8 (397)	9-5/8 (244)	10 (254)	12 (305)	1 (25)	7/8 (22)	8	5-7/8 (149)	181 (82)
3 (80)	16-9/16 (421)	10-3/16 (259)	10-3/4 (273)	13-1/8 (333)	1-1/8 (29)	7/8 (22)	8	6-5/8 (168)	221 (100)
4 (100)	19 (483)	12 (305)	12-1/2 (318)	16-5/8 (422)	1-1/4 (32)	7/8 (22)	8	7-7/8 (200)	305 (138)
6 (150)	24-3/16 (614)	15-5/8 (397)	16 (406)	22-3/4 (578)	1-7/16 (37)	7/8 (22)	12	10-5/8 (270)	552 (250)

Shipping weight includes skid and cover.

**Series 2000 Pressure and/or Temperature Steam Regulators**  
**Model 2300 Steam Capacities Tables in Port lbs./hr. (kg/hr.)**

**HS-603(C)**

**Page 2**

Pressure psig (bar)		Main Valve Size				
		Full Port				
IN	OUT‡	2" (50)	2-1/2" (65)	3" (80)	4" (100)	6" (150)
20† (1.4)	0-5 (0-0.34)	1200 (544)	2020 (916)	3000 (1361)	5160 (2341)	11870 (5384)
25† (1.7)	10 (0.7)	1420 (644)	2300 (1043)	3300 (1497)	6200 (2812)	14000 (6350)
	0-5 (0-0.34)	1730 (785)	2900 (1315)	4000 (1814)	7000 (3175)	16300 (7394)
30† (2.1)	15 (1.0)	1900 (862)	3000 (1361)	3500 (1588)	6800 (3084)	14500 (6577)
	0-10 (0-0.7)	2060 (934)	3450 (1565)	4600 (2087)	8300 (3765)	18500 (8392)
40 (2.8)	25 (1.7)	1300 (590)	3250 (1474)	3800 (1724)	7500 (3402)	17200 (7802)
	0-20 (0-1.4)	2120 (962)	3800 (1724)	4800 (2177)	9400 (4264)	19650 (8913)
50 (3.5)	35 (2.4)	2500 (1134)	3500 (1588)	4800 (2177)	9500 (4309)	20000 (9072)
	30 (2.1)	2900 (1315)	4500 (2041)	5700 (2586)	11500 (5216)	23500 (10660)
	0-25 (0-1.7)	3050 (1383)	4900 (2223)	6500 (2948)	11900 (5398)	24200 (10977)
60 (4.2)	45 (3.1)	2700 (1225)	4400 (1996)	5800 (2631)	11000 (4990)	25800 (11703)
	40 (2.8)	3050 (1383)	4800 (2177)	6800 (3084)	13500 (6124)	27500 (12474)
	35 (2.4)	3250 (1474)	5600 (2540)	7400 (3357)	14000 (6350)	29000 (13154)
	0-30 (0-2.1)	3600 (1633)	5950 (2699)	8400 (3810)	14700 (6668)	30500 (13835)
75 (5.2)	55 (3.8)	3750 (1701)	5800 (2631)	8500 (3856)	15100 (6849)	31000 (14062)
	50 (3.5)	3900 (1769)	6100 (2767)	8900 (4037)	16300 (7394)	34000 (15422)
	45 (3.1)	4300 (1950)	6450 (2926)	9500 (4309)	17800 (8074)	37000 (16783)
	0-40 (0-2.8)	4500 (2041)	6750 (3062)	10000 (4536)	18100 (8210)	38800 (17600)
100 (6.9)	75 (5.2)	4900 (2223)	7800 (3538)	10800 (4899)	20500 (9299)	40800 (18507)
	60 (4.2)	5350 (2427)	8900 (4037)	12200 (5534)	21750 (9866)	48000 (21773)
	0-50 (0-3.5)	5850 (2654)	9100 (4128)	13500 (6124)	22960 (10415)	50000 (22680)
125 (8.6)	100 (6.9)	5300 (2404)	8650 (3924)	12200 (5534)	22000 (9979)	49200 (22317)
	75 (5.2)	6750 (3062)	10500 (4763)	15400 (6985)	26800 (12156)	61350 (27828)
	0-50 (0-3.5)	7500 (3402)	11400 (5171)	16800 (7620)	27720 (12574)	62600 (28395)
150 (10.3)	125 (8.6)	6200 (2812)	9900 (4491)	15000 (6804)	26200 (11884)	56700 (25719)
	100 (6.9)	7500 (3402)	11900 (5398)	17800 (8074)	31000 (14061)	69300 (31434)
	0-75 (0-5.2)	8000 (3629)	13200 (5988)	18600 (8437)	32950 (14946)	73800 (33475)
175 (12.1)	150 (10.3)	6900 (3130)	11400 (5171)	16100 (7303)	28940 (13127)	63600 (28849)
	125 (8.6)	8600 (3901)	13300 (6033)	20220 (9172)	34800 (15785)	77000 (24927)
	100 (6.9)	9500 (4309)	14700 (6668)	21900 (9934)	37500 (17010)	85000 (38556)
	0-75 (0-5.2)	9750 (4423)	15600 (7076)	22070 (10011)	38000 (17237)	86000 (39010)
200 (13.8)	150 (10.3)	9200 (4173)	14400 (6532)	22440 (10179)	38000 (17237)	84600 (38375)
	125 (8.6)	10450 (4740)	15600 (7076)	25170 (11417)	43000 (19505)	95900 (43500)
	0-100 (0-6.9)	11000 (4990)	16200 (7348)	25340 (11494)	43350 (19664)	97330 (44149)
225 (15.5)	175 (12.1)	10150 (4604)	15850 (7189)	24300 (11022)	41221 (18697)	91600 (41549)
	150 (10.3)	11600 (5262)	17770 (8060)	27250 (12360)	46200 (20956)	104600 (47446)
	0-125 (0-8.6)	12200 (5534)	18450 (8368)	28300 (12836)	47980 (21763)	108600 (49260)
250 (17.2)	200 (13.8)	10920 (4953)	17050 (7734)	20400 (9253)	44330 (20108)	98500 (44680)
	175 (12.1)	12370 (5611)	19100 (8664)	29250 (13268)	49600 (22499)	112400 (50985)
	150 (10.3)	13360 (6060)	20400 (9253)	31250 (14175)	53000 (24041)	120000 (54432)
	0-125 (0-8.6)	13720 (6223)	20400 (9253)	31250 (14175)	53000 (24041)	120000 (54432)
<b>C<sub>v</sub></b>		<b>34.2</b>	<b>50.3</b>	<b>78.7</b>	<b>139.6</b>	<b>302.2</b>

Note: Capacity based on saturated steam at valve inlet. Pressure differential must be at least 15 psi (6.9 bar) for the valve to operate.

†For inlet pressure below 30 psig (2.1 bar), use Model 2250

‡When the outlet steam pressure is 50% or less of the inlet pressure, always use the lowest outlet pressure shown in the capacity table.

**Series 2000 Pressure and/or Temperature Steam Regulators**  
**Model 2300 Steam Capacities Tables in Port lbs./hr. (kg/hr.)**

**HS-603(C)**

**Page 3**

Pressure psig (bar)		Main Valve Size				
		Normal Port				
IN	OUT‡	2" (50)	2-1/2" (65)	3" (80)	4" (100)	6" (150)
20† (1.4)	0-5 (0-0.34)	980 (445)	1480 (671)	2370 (1075)	3860 (1751)	9500 (4309)
25† (1.7)	10 (0.7)	1140 (517)	1700 (771)	2750 (1247)	4500 (2041)	10930 (4958)
	0-5 (0-0.34)	1290 (585)	1900 (862)	3600 (1633)	5100 (2313)	12900 (5851)
30† (2.1)	15 (1.0)	1250 (567)	1950 (885)	3100 (1406)	4800 (2177)	12500 (5670)
	0-10 (0-0.7)	1530 (694)	2450 (1111)	4200 (1905)	5800 (2631)	14700 (6668)
40 (2.8)	25 (1.7)	1550 (703)	2200 (998)	3650 (1656)	5600 (2540)	14000 (6350)
	0-20 (0-1.4)	1750 (794)	2600 (1179)	4100 (1860)	7000 (3175)	17500 (7938)
50 (3.5)	35 (2.4)	1950 (885)	2350 (1066)	4500 (2041)	5900 (2676)	16300 (7394)
	30 (2.1)	2100 (953)	2900 (1315)	5300 (2404)	7300 (3311)	19500 (8845)
	0-25 (0-1.7)	2400 (1089)	3500 (1588)	5600 (2540)	8400 (3810)	21200 (9616)
60 (4.2)	45 (3.1)	2100 (953)	3150 (1429)	4750 (2155)	8200 (3720)	18600 (8437)
	40 (2.8)	2300 (1043)	3600 (1633)	5500 (2495)	8700 (3946)	21500 (9752)
	35 (2.4)	2600 (1179)	3800 (1724)	6300 (2858)	9300 (4218)	22800 (10342)
	0-30 (0-2.1)	2700 (1225)	4200 (1905)	6900 (3130)	9900 (4491)	25500 (11567)
75 (5.2)	55 (3.8)	2850 (1293)	4150 (1882)	6700 (3039)	10200 (4627)	26200 (11884)
	50 (3.5)	3100 (1406)	4450 (2019)	7500 (3402)	10800 (4899)	28000 (12701)
	45 (3.1)	3350 (1520)	4700 (2132)	7800 (3538)	11900 (5398)	29000 (13154)
	0-40 (0-2.8)	3550 (1610)	4900 (2223)	8000 (3629)	12100 (5489)	31450 (14266)
100 (6.9)	75 (5.2)	3700 (1678)	5300 (2404)	8700 (3946)	13200 (5988)	30000 (14969)
	60 (4.2)	4650 (2109)	6000 (2722)	10000 (4536)	15200 (6895)	38000 (17237)
	0-50 (0-3.5)	4700 (2132)	6550 (2971)	10700 (4854)	16000 (7258)	39300 (17826)
125 (8.6)	100 (6.9)	4200 (1905)	6250 (2835)	10200 (4627)	15000 (6804)	38300 (17373)
	75 (5.2)	5400 (2449)	7600 (3447)	12500 (5670)	18300 (8301)	48900 (22181)
	0-50 (0-3.5)	5850 (2654)	8350 (3788)	13400 (6078)	19700 (8936)	50200 (22771)
150 (10.3)	125 (8.6)	5150 (2336)	7500 (3402)	11800 (5352)	17200 (7802)	44000 (19958)
	100 (6.9)	6300 (2858)	8650 (3924)	14400 (6532)	20800 (9435)	55600 (25220)
	0-75 (0-5.2)	6800 (3084)	9500 (4309)	15600 (7076)	22800 (10342)	59200 (26853)
175 (12.1)	150 (10.3)	5900 (2676)	8250 (3742)	13600 (6169)	18800 (8528)	49500 (22453)
	125 (8.6)	7000 (3175)	9700 (4400)	16650 (7552)	23200 (10524)	61000 (27670)
	100 (6.9)	7600 (3447)	10600 (4808)	18500 (8392)	26000 (11794)	68000 (30845)
	0-75 (0-5.2)	7900 (3583)	11250 (5103)	18820 (8537)	27200 (12338)	68300 (30981)
200 (13.8)	150 (10.3)	7700 (3493)	10700 (4854)	18540 (8410)	25700 (11658)	66700 (30255)
	125 (8.6)	8400 (3810)	11800 (5352)	21150 (9594)	29900 (13563)	76600 (34746)
	0-100 (0-6.9)	8600 (3901)	12400 (5625)	21490 (9748)	30850 (13994)	77100 (34973)
225 (15.5)	175 (12.1)	8260 (3747)	11800 (5352)	20080 (9108)	28200 (12792)	72220 (32759)
	150 (10.3)	9250 (4196)	13420 (6087)	22900 (10387)	32370 (14683)	81700 (37059)
	0-125 (0-8.6)	9640 (4373)	14150 (6418)	24000 (10886)	34440 (15622)	86100 (39055)
250 (17.2)	200 (13.8)	8850 (4014)	12890 (5947)	21970 (9966)	30300 (13744)	77660 (35227)
	175 (12.1)	9900 (4491)	14600 (6623)	25600 (11612)	34760 (15767)	87750 (39803)
	150 (10.3)	10640 (4826)	15620 (7085)	26250 (11907)	37500 (17010)	94600 (42911)
	0-125 (0-8.6)	10680 (4844)	15750 (7144)	26500 (12020)	38000 (17237)	95000 (43092)
<b>C<sub>v</sub></b>		<b>26.7</b>	<b>38.5</b>	<b>66.7</b>	<b>95.8</b>	<b>239.4</b>

Note: Capacity based on saturated steam at valve inlet. Pressure differential must be at least 15 psi (6.9 bar) for the valve to operate.

†For inlet pressure below 30 psig (2.1 bar), use Model 2250

‡When the outlet steam pressure is 50% or less of the inlet pressure, always use the lowest outlet pressure shown in the capacity table.

**Series 2000 Pressure and/or Temperature Steam Regulators  
Model 2300 Steam Capacities Tables in lbs./hr. (kg/hr.)**

**HS-603(C)**

**Page 4**

Pressure psig (bar)		Main Valve Size				
		Reduced Port				
IN	OUT‡	2" (50)	2-1/2" (65)	3" (80)	4" (100)	6" (150)
20† (1.4)	0-5 (0-0.34)	860 (390)	1360 (617)	1840 (835)	3090 (1402)	7120 (3230)
25† (1.7)	10 (0.7)	970 (439)	1560 (708)	2100 (953)	3670 (1665)	8200 (3720)
	0-5 (0-0.34)	1080 (489)	1630 (739)	2240 (1016)	3940 (1787)	8500 (3856)
30† (2.1)	15 (1.0)	1100 (499)	1710 (776)	2400 (1089)	4000 (1814)	9500 (4309)
	0-10 (0-0.7)	1180 (535)	1835 (832)	2520 (1143)	4500 (2041)	10170 (4613)
40 (2.8)	25 (1.7)	1260 (572)	2050 (930)	2500 (1134)	4650 (2109)	10000 (4536)
	0-20 (0-1.4)	1380 (626)	2250 (1021)	3000 (1361)	5400 (2449)	11500 (5216)
50 (3.5)	35 (2.4)	1450 (658)	2300 (1043)	3200 (1452)	5200 (2359)	11100 (5035)
	30 (2.1)	1680 (762)	2700 (1225)	3520 (1597)	6100 (2767)	13000 (5897)
	0-25 (0-1.7)	1800 (816)	2800 (1270)	3700 (1678)	6640 (3012)	14000 (6350)
60 (4.2)	45 (3.1)	1650 (748)	2650 (1202)	3350 (1520)	5800 (2631)	14000 (6350)
	40 (2.8)	1850 (839)	3000 (1361)	3860 (1751)	6800 (3084)	15200 (6895)
	35 (2.4)	1970 (894)	3150 (1429)	4200 (1905)	7300 (3311)	15800 (7167)
	0-30 (0-2.1)	2200 (998)	3300 (1497)	4450 (2019)	7800 (3538)	17100 (7757)
75 (5.2)	55 (3.8)	2150 (975)	3400 (1542)	4800 (2177)	8000 (3629)	16200 (7348)
	50 (3.5)	2400 (1089)	3500 (1588)	5050 (2291)	8500 (3856)	16700 (7575)
	45 (3.1)	2550 (1157)	3650 (1656)	5300 (2404)	9100 (4128)	17800 (8074)
	0-40 (0-2.8)	2650 (1202)	3750 (1701)	5520 (2504)	9300 (4218)	20000 (9072)
100 (6.9)	75 (5.2)	3100 (1406)	4300 (1950)	6200 (2812)	10400 (4717)	21200 (9616)
	60 (4.2)	3450 (1565)	5000 (2268)	7000 (3175)	11300 (5126)	25000 (11340)
	0-50 (0-3.5)	3600 (1633)	5100 (2313)	7300 (3311)	11970 (5430)	27000 (12247)
125 (8.6)	100 (6.9)	3350 (1520)	4950 (2245)	7000 (3175)	12000 (5443)	24000 (10886)
	75 (5.2)	4300 (1950)	6000 (2722)	8350 (3788)	14000 (6350)	30000 (13608)
	0-50 (0-3.5)	4400 (1996)	6100 (2767)	8700 (3946)	14600 (6623)	32200 (14606)
150 (10.3)	125 (8.6)	4100 (1860)	5750 (2608)	8000 (3629)	13600 (6169)	27800 (12610)
	100 (6.9)	4800 (2177)	6900 (3130)	9500 (4309)	16300 (7399)	35700 (16194)
	0-75 (0-5.2)	5200 (2359)	7100 (3221)	10400 (4717)	17200 (7802)	39500 (17917)
175 (12.1)	150 (10.3)	4500 (2041)	6600 (2994)	9300 (4218)	15300 (6940)	31150 (14129)
	125 (8.6)	5320 (2413)	7600 (3447)	10800 (4898)	18200 (8255)	40150 (18212)
	100 (6.9)	5800 (2631)	7900 (3583)	11700 (5307)	19960 (9053)	45700 (20729)
	0-75 (0-5.2)	5800 (2631)	8000 (3629)	11750 (5329)	20100 (9117)	46400 (21047)
200 (13.8)	150 (10.3)	5800 (2630)	8400 (3810)	11380 (5162)	16900 (7666)	44500 (20185)
	125 (8.6)	6500 (2948)	9100 (4128)	13100 (5942)	20100 (9117)	52200 (23678)
	0-100 (0-6.9)	6800 (3084)	9100 (4128)	13300 (6033)	22600 (10251)	52500 (23814)
225 (15.5)	175 (12.1)	6400 (2903)	8800 (3992)	12330 (5593)	21500 (9752)	45800 (20775)
	150 (10.3)	7150 (3243)	9870 (4477)	14000 (6350)	24080 (10923)	53300 (24177)
	0-125 (0-8.6)	7500 (3402)	10300 (4672)	14760 (6695)	25400 (11521)	58640 (26599)
250 (17.2)	200 (13.8)	6850 (3107)	9090 (4123)	13260 (6015)	23110 (10483)	50400 (22861)
	175 (12.1)	7680 (3483)	10400 (4717)	15050 (6827)	25860 (11730)	58500 (26536)
	150 (10.3)	8300 (3765)	11300 (5126)	16300 (7394)	27800 (12610)	63400 (28758)
	0-125 (0-8.6)	8330 (3778)	11360 (5153)	16400 (7439)	28100 (12746)	64300 (29166)
<b>C<sub>v</sub></b>		<b>21.1</b>	<b>28.3</b>	<b>41.3</b>	<b>70.2</b>	<b>163.0</b>

Note: Capacity based on saturated steam at valve inlet. Pressure differential must be at least 15 psi (6.9 bar) for the valve to operate.

†For inlet pressure below 30 psig (2.1 bar), use Model 2250

‡When the outlet steam pressure is 50% or less of the inlet pressure, always use the lowest outlet pressure shown in the capacity table.



Xylem Inc.  
8200 N. Austin Avenue  
Morton Grove, Illinois 60053  
Phone: (847) 966-3700  
Fax: (847) 965-8379  
www.bellgossett.com