

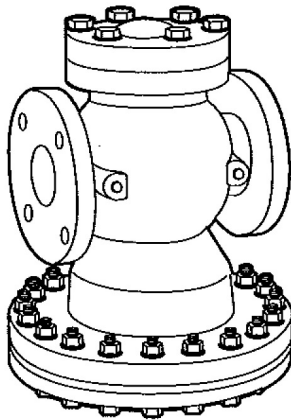


Bell & Gossett
a xylem brand

SUBMITTAL

HS-610D

JOB	HOFFMAN SPECIALTY REPRESENTATIVE	
UNIT TAG NO.	ORDER NO.	DATE
ENGINEER	SUBMITTED BY	DATE
CONTRACTOR	APPROVED BY	DATE



Hoffman Specialty® Series 2000 Pressure and/or Temperature Steam Regulators Main Valves Model 2200

Flanged Ends, 125 psig (8.6 bar) Max.

Model 2250 Main Valve

Flanged Ends, 30 psig (2.1 bar) Max.

Initial Pressure _____ psig(bar)

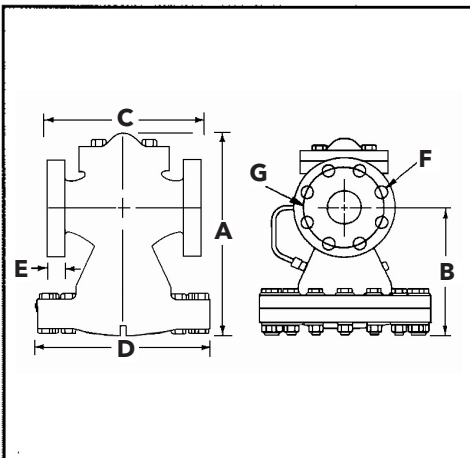
Initial Temperature _____ °F(°C) saturated

Delivery Pressure _____ psig(bar)

Required Capacity _____ lb/hr(kg/hr)

Materials of Construction	
Part	Specifications
Body	Cast Iron ASTM A126-71
Stem	Stainless Steel ASTM A581, A582
Seat	Stainless Steel ASTM A582
Plug	Stainless Steel ASTM A582
Diaphragm	Stainless Steel ASTM A240
Gaskets	Non-asbestos ASTM F-104
Nuts/Bolts	ASTM A325 GRADE 5
Copper Tubing	ASTM B75 ALLOY 122

Dimensions in. (mm)



Valve Size In. (mm)	Dimensions in. (mm)					Bolt Holes			Weight (Approx.) lbs. (kg)
	A	B	C	D	E	Hole Dia. in. (mm) F	No. of holes	Bolt Circ. in. (mm) G	
2 (50)	11¼ (298)	7¾ (194)	8 (203)	10 (254)	⅝ (16)	¾ (19)	4	4¾ (121)	67 (30)
2½ (65)	15⅝ (397)	9⅝ (244)	9⅝ (238)	12 (305)	11/16 (17)	¾ (19)	4	5½ (140)	175 (79)
3 (80)	16⅞ (421)	10⅞ (259)	10 (254)	13½ (333)	¾ (19)	¾ (19)	4	6 (152)	215 (98)
4 (100)	19 (483)	12 (305)	11⅞ (302)	16⅝ (422)	15/16 (23.8)	¾ (19)	8	7½ (191)	297 (135)
6 (150)	24⅜ (614)	15⅝ (397)	15⅞ (384)	22¾ (578)	1 (25)	⅞ (22)	8	9½ (241)	535 (243)

Shipping weight includes skid and cover.

Steam Capacity Tables in lbs./hr. (kg/hr.)

Models 2200

Pressure psig (bar)		Main Valve Size							
		Full Port					Normal Port		
IN	OUT††	2" (50)	2½" (65)	3" (80)	4" (100)	6" (150)	2" (50)	2½" (65)	3" (80)
20† (1.4)	0-5 (0-0.34)	1200 (544)	2020 (916)	3000 (1361)	5160 (2341)	11870 (5384)	980 (445)	1480 (671)	2370 (1075)
25† (1.7)	10 (0.7)	1420 (644)	2300 (1043)	3300 (1497)	6200 (2812)	14000 (6350)	1140 (517)	1700 (771)	2750 (1247)
	0-5 (0-0.34)	1730 (785)	2900 (1315)	4000 (1814)	7000 (3175)	16300 (7394)	1290 (585)	1900 (862)	3600 (1633)
30† (2.1)	15 (1.0)	1900 (862)	3000 (1361)	3500 (1588)	6800 (3084)	14500 (6577)	1250 (567)	1950 (885)	3100 (1406)
	0-10 (0-0.7)	2060 (934)	3450 (1565)	4600 (2087)	8300 (3765)	18500 (8392)	1530 (694)	2450 (1111)	4200 (1905)
40 (2.8)	25 (1.7)	1300 (590)	3250 (1474)	3800 (1724)	7500 (3402)	17200 (7802)	1550 (703)	2200 (998)	3650 (1656)
	0-20 (0-1.4)	2120 (962)	3800 (1724)	4800 (2177)	9400 (4264)	19650 (8913)	1750 (794)	2600 (1179)	4100 (1860)
50 (3.5)	35 (2.4)	2500 (1134)	3500 (1588)	4800 (2177)	9500 (4309)	20000 (9072)	1950 (885)	2350 (1066)	4500 (2041)
	30 (2.1)	2900 (1315)	4500 (2041)	5700 (2586)	11500 (5216)	23500 (10660)	2100 (953)	2900 (1315)	5300 (2404)
	0-25 (0-1.7)	3050 (1383)	4900 (2223)	6500 (2948)	11900 (5398)	24200 (10977)	2400 (1089)	3500 (1588)	5600 (2540)
60 (4.2)	45 (3.1)	2700 (1225)	4400 (1996)	5800 (2631)	11000 (4990)	25800 (11703)	2100 (953)	3150 (1429)	4750 (2155)
	40 (2.8)	3050 (1383)	4800 (2177)	6800 (3084)	13500 (6124)	27500 (12474)	2300 (1043)	3600 (1633)	5500 (2495)
	35 (2.4)	3250 (1474)	5600 (2540)	7400 (3357)	14000 (6350)	29000 (13154)	2600 (1179)	3800 (1724)	6300 (2858)
	0-30 (0-2.1)	3600 (1633)	5950 (2699)	8400 (3810)	14700 (6668)	30500 (13835)	2700 (1225)	4200 (1905)	6900 (3130)
75 (5.2)	55 (3.8)	3750 (1701)	5800 (2631)	8500 (3856)	15100 (6849)	31000 (14062)	2850 (1293)	4150 (1882)	6700 (3039)
	50 (3.5)	3900 (1769)	6100 (2767)	8900 (4037)	16300 (7394)	34000 (15422)	3100 (1406)	4450 (2019)	7500 (3402)
	45 (3.1)	4300 (1950)	6450 (2926)	9500 (4309)	17800 (8074)	37000 (16783)	3350 (1520)	4700 (2132)	7800 (3538)
	0-40 (0-2.8)	4500 (2041)	6750 (3062)	10000 (4536)	18100 (8210)	38800 (17600)	3550 (1610)	4900 (2223)	8000 (3629)
100 (6.9)	75 (5.2)	4900 (2223)	7800 (3538)	10800 (4899)	20500 (9299)	40800 (18507)	3700 (1678)	5300 (2404)	8700 (3946)
	60 (4.2)	5350 (2427)	8900 (4037)	12200 (5534)	21750 (9866)	48000 (21773)	4650 (2109)	6000 (2722)	10000 (4536)
	0-50 (0-3.5)	5850 (2654)	9100 (4128)	13500 (6124)	22960 (10415)	50000 (22680)	4700 (2132)	6550 (2971)	10700 (4854)
125 (8.6)	100 (6.9)	5300 (2404)	8650 (3924)	12200 (5534)	22000 (9979)	49200 (22317)	4200 (1905)	6250 (2835)	10200 (4627)
	75 (5.2)	6750 (3062)	10500 (4763)	15400 (6985)	26800 (12156)	61350 (27828)	5400 (2449)	7600 (3447)	12500 (5670)
	0-50 (0-3.5)	7500 (3402)	11400 (5171)	16800 (7620)	27720 (12574)	62600 (28395)	5850 (2654)	8350 (3788)	13400 (6078)

Note: Capacity based on saturated steam at valve inlet. Pressure differential must be at least 15 psi (6.9 bar) for valve to operate.

†For inlet pressures below 30 psig (2.1 bar), see Model 2250, page 4.

††When the outlet steam pressure is 50% or less of the inlet pressure, always use the lowest outlet pressure shown in the capacity table.

Steam Capacity Tables in lbs./hr. (kg/hr.) Continued
Models 2200

Pressure psig (bar)		Main Valve Size						
		Normal Port (continued)		Reduced Port				
IN	OUT††	4" (100)	6" (150)	2" (50)	2½" (65)	3" (80)	4" (100)	6" (150)
20† (1.4)	0-5 (0-0.34)	3860 (1751)	9500 (4309)	860 (390)	1360 (617)	1840 (835)	3090 (1402)	7120 (3230)
25† (1.7)	10 (0.7)	4500 (2041)	10930 (4958)	970 (439)	1560 (708)	2100 (953)	3670 (1665)	8200 (3720)
	0-5 (0-0.34)	5100 (2313)	12900 (5851)	1080 (489)	1630 (739)	2240 (1016)	3940 (1787)	8500 (3856)
30† (2.1)	15 (1.0)	4800 (2177)	12500 (5670)	1100 (499)	1710 (776)	2400 (1089)	4000 (1814)	9500 (4309)
	0-10 (0-0.7)	5800 (2631)	14700 (6668)	1180 (535)	1835 (832)	2520 (1143)	4500 (2041)	10170 (4613)
40 (2.8)	25 (1.7)	5600 (2540)	14000 (6350)	1260 (572)	2050 (930)	2500 (1134)	4650 (2109)	10000 (4536)
	0-20 (0-1.4)	7000 (3175)	17500 (7938)	1380 (626)	2250 (1021)	3000 (1361)	5400 (2449)	11500 (5216)
50 (3.5)	35 (2.4)	5900 (2676)	16300 (7394)	1450 (658)	2300 (1043)	3200 (1452)	5200 (2359)	11100 (5035)
	30 (2.1)	7300 (3311)	19500 (8845)	1680 (762)	2700 (1225)	3520 (1597)	6100 (2767)	13000 (5897)
	0-25 (0-1.7)	8400 (3810)	21200 (9616)	1800 (816)	2800 (1270)	3700 (1678)	6640 (3012)	14000 (6350)
60 (4.2)	45 (3.1)	8200 (3720)	18600 (8437)	1650 (748)	2650 (1202)	3350 (1520)	5800 (2631)	14000 (6350)
	40 (2.8)	8700 (3946)	21500 (9752)	1850 (839)	3000 (1361)	3860 (1751)	6800 (3084)	15200 (6895)
	35 (2.4)	9300 (4218)	22800 (10342)	1970 (894)	3150 (1429)	4200 (1905)	7300 (3311)	15800 (7167)
	0-30 (0-2.1)	9900 (4491)	25500 (11567)	2200 (998)	3300 (1497)	4450 (2019)	7800 (3538)	17100 (7757)
75 (5.2)	55 (3.8)	10200 (4627)	26200 (11884)	2150 (975)	3400 (1542)	4800 (2177)	8000 (3629)	16200 (7348)
	50 (3.5)	10800 (4899)	28000 (12701)	2400 (1089)	3500 (1588)	5050 (2291)	8500 (3856)	16700 (7575)
	45 (3.1)	11900 (5398)	29000 (13154)	2550 (1157)	3650 (1656)	5300 (2404)	9100 (4128)	17800 (8074)
	0-40 (0-2.8)	12100 (5489)	31450 (14266)	2650 (1202)	3750 (1701)	5520 (2504)	9300 (4218)	20000 (9072)
100 (6.9)	75 (5.2)	13200 (5988)	33000 (14969)	3100 (1406)	4300 (1950)	6200 (2812)	10400 (4717)	21200 (9616)
	60 (4.2)	15200 (6895)	38000 (17237)	3450 (1565)	5000 (2268)	7000 (3175)	11300 (5126)	25000 (11340)
	0-50 (0-3.5)	16000 (7258)	39300 (17826)	3600 (1633)	5100 (2313)	7300 (3311)	11970 (5430)	27000 (12247)
125 (8.6)	100 (6.9)	15000 (6804)	38300 (17373)	3350 (1520)	4950 (2245)	7000 (3175)	12000 (5443)	24000 (10886)
	75 (5.2)	18300 (8301)	48900 (22181)	4300 (1950)	6000 (2722)	8350 (3788)	14000 (6350)	30000 (13608)
	0-50 (0-3.5)	19700 (8936)	50200 (22771)	4400 (1996)	6100 (2767)	8700 (3946)	14800 (6623)	32200 (14606)

Note: Capacity based on saturated steam at valve inlet. Pressure differential must be at least 15 psi (6.9 bar) for valve to operate.

†For inlet pressures below 30 psig (2.1 bar), see Model 2250, page 4.

††When the outlet steam pressure is 50% or less of the inlet pressure, always use the lowest outlet pressure shown in the capacity table.

**Steam Capacities – Low Pressure lbs./hr. (kg/hr.)
Models 2250**

Pressure psig (bar)		Main Valve Size					
IN	OUT	2" (50)	2 1/2" (65)	3" (80)	4" (100)	6" (150)	
5 (.35)	2 (.14)	750 (340)	950 (431)	1050 (476)	2350 (1066)	7600 (3447)	
	0-1 (0-07)	850 (386)	1075 (488)	1200 (544)	2500 (1134)	7700 (3493)	
6 (.42)	3 (.21)	800 (363)	1075 (488)	1150 (522)	2400 (1089)	7700 (3493)	
	0-1 (0-07)	1050 (476)	1200 (544)	1350 (612)	2600 (1179)	8000 (3629)	
7 (.49)	4 (.28)	870 (395)	1150 (522)	1300 (590)	2450 (1111)	7900 (3583)	
	0-2 (0-14)	1200 (544)	1300 (590)	1500 (680)	2800 (1270)	8300 (3765)	
8 (.56)	5 (.35)	940 (426)	1200 (544)	1400 (635)	2550 (1157)	8150 (3697)	
	0-3 (0-21)	1250 (567)	1350 (612)	1550 (703)	3250 (1474)	9243 (4192)	
9 (.62)	6 (.42)	1000 (454)	1350 (612)	1550 (703)	2800 (1270)	8400 (3810)	
	4 (.28)	1320 (599)	1500 (680)	1800 (816)	3350 (1520)	9600 (4355)	
	0-2 (0-14)	5 (.35)	1500 (680)	1600 (726)	1900 (862)	3550 (1610)	9700 (4400)
		7 (.49)	1050 (476)	1500 (680)	1650 (748)	3000 (1361)	10300 (4672)
10 (0.7)	5 (.35)	1400 (635)	1750 (794)	1900 (862)	3450 (1565)	11300 (5126)	
	0-2 (0-14)	6 (.42)	1500 (680)	1800 (816)	2100 (953)	3600 (1633)	12000 (5443)
		7 (.49)	1100 (499)	1750 (794)	1800 (816)	3300 (1497)	10700 (4854)
	12 (.83)	7 (.49)	1460 (662)	2000 (907)	2300 (1043)	3600 (1633)	11200 (5080)
5 (.35)		8 (.56)	1700 (771)	2150 (975)	2650 (1202)	4000 (1814)	12000 (5443)
		0-2 (0-14)	1850 (839)	2300 (1043)	2700 (1225)	4400 (1996)	12500 (5670)
15 (6.9)		9 (.62)	1170 (531)	1800 (816)	1900 (862)	3600 (1633)	11000 (4990)
	10 (.7)	10 (.7)	1500 (680)	2250 (1021)	2550 (1157)	4200 (1905)	12500 (5670)
		8 (.56)	1750 (794)	2400 (1089)	2900 (1315)	4800 (2177)	14000 (6350)
	5 (.35)	0-2.5 (0-17)	2020 (916)	2550 (1157)	3200 (1452)	5400 (2449)	14300 (6486)
		2000 (998)	2600 (1179)	3300 (1497)	6000 (2722)	14500 (6577)	
20 (1.4)	17 (1.2)	1300 (590)	1450 (658)	2000 (907)	3800 (1724)	14000 (6350)	
	15 (1.0)	15 (1.0)	1850 (839)	2000 (907)	3100 (1406)	5000 (2268)	16000 (7258)
		10 (.7)	2300 (1043)	2500 (1134)	3950 (1792)	7200 (3266)	16500 (7484)
	0-5 (0-35)	2650 (1202)	2650 (1202)	4550 (2064)	7300 (3311)	17000 (7711)	
25 (1.7)	22 (1.5)	1400 (635)	1750 (794)	2200 (998)	4000 (1814)	12000 (5443)	
	20 (1.4)	20 (1.4)	1800 (816)	2400 (1089)	3300 (1497)	6000 (2722)	14000 (6350)
		15 (1.0)	2400 (1089)	2700 (1225)	4000 (1814)	8200 (3720)	16500 (7484)
	10 (.7)	10 (.7)	2800 (1270)	3000 (1361)	4600 (2087)	8300 (3765)	19500 (8845)
		0-5 (0-35)	3100 (1406)	3200 (1452)	5000 (2268)	8300 (3765)	20000 (9072)
30 (2.1)	27 (1.9)	1500 (680)	2000 (907)	2200 (998)	4200 (1905)	12500 (5670)	
	25 (1.7)	25 (1.7)	1900 (862)	2450 (1111)	3380 (1533)	7020 (3184)	14700 (6668)
		20 (1.4)	2500 (1134)	2750 (1247)	4070 (1846)	8800 (3992)	17300 (7847)
	15 (1.0)	15 (1.0)	2950 (1338)	3150 (1429)	4660 (2114)	9080 (4119)	20000 (9072)
		0-10 (0-7)	3400 (1542)	3600 (1633)	5480 (2486)	9300 (4218)	21300 (9662)

Capacity based on saturated steam at valve inlet. Maximum inlet pressure 30 psi (2.1 bar).

Capacity based on 1 psi (.07 bar) accuracy of control. Pressure differential must be at least 3 psi (.21 bar) in order for valve to operate.



Xylem Inc.
8200 N. Austin Avenue
Morton Grove, Illinois 60053
Phone: (847) 966-3700
Fax: (847) 965-8379
www.bellgossett.com