

JOB	HOFFMAN SPECIALTY REPRESENTATIVE		
UNIT TAG NO.	ORDER NO.	DATE	
ENGINEER	SUBMITTED BY	DATE	
CONTRACTOR	APPROVED BY	DATE	

# Hoffman Specialty®

## Series 2000 Pressure and/or Temperature Steam Regulators

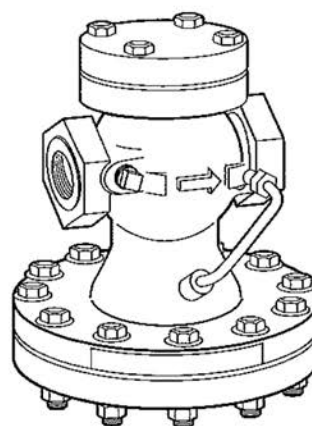
### Main Valves

#### Model 2100

Screwed Ends, 250 psig (17.2 bar) Max.

#### Model 2150 Main Valve

Screwed Ends, 30 psig (2.1 bar) Max.



**Maximum Temperature: 450°F (232°C)**

Initial Pressure \_\_\_\_\_ psig(bar)

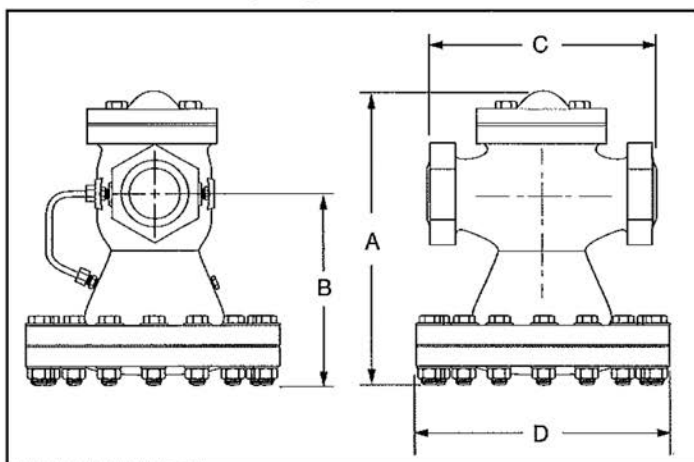
Initial Temperature \_\_\_\_\_ °F(°C) saturated

Delivery Pressure \_\_\_\_\_ psig(bar)

Required Capacity \_\_\_\_\_ lb/hr(kg/hr)

Materials of Construction	
Part	Specifications
Body	Cast Iron ASTM A126-71
Stem	Stainless Steel ASTM A581, A582
Seat	Stainless Steel ASTM A582
Plug	Stainless Steel ASTM A582
Diaphragm	Stainless Steel ASTM A240
Gaskets	Non-asbestos ASTM F-104
Nuts/Bolts	ASTM A325 GRADE 5
Copper Tubing	ASTM B75 ALLOY 122

#### Dimensions in. (mm)



NPT Valve Size in. (mm)	Dimensions in. (mm)			
	A	B	C	D
½ (15)	7⅞ (200)	4¾ (121)	5⅞ (130)	7 (178)
¾ (20)	7⅞ (200)	4¾ (121)	5⅞ (130)	7 (178)
1 (25)	7⅞ (200)	4¾ (121)	5⅞ (130)	7 (178)
1¼ (32)	9½ (241)	5¾ (146)	7½ (191)	8¾ (222)
1½ (40)	9½ (241)	5¾ (146)	7½ (191)	8¾ (222)
2 (50)	11¾ (298)	7⅞ (194)	9¼ (235)	10 (254)

**Steam Capacity Table in lbs./hr. – Model 2100**

Pressure psig		Main Valve Size																	
		Full Port						Normal Port						Reduced Port					
IN	OUT††	½"	¾"	1"	1¼"	1½"	2"	¾"	¾"	1"	1¼"	1½"	2"	¾"	¾"	1"	1¼"	1½"	2"
20†	0-5	220	260	360	660	850	1200	140	260	280	620	660	980	50	220	280	480	620	860
25	10 0-5	250 260	300 410	410 470	800 900	1000 1100	1420 1730	160 165	300 400	300 410	700 780	800 900	1140 1290	57 58	250 260	300 400	550 620	700 780	970 1080
30	15 0-10	290 300	320 460	460 530	950 1100	1100 1240	1900 2060	175 185	320 460	430 460	800 920	950 1100	1250 1530	62 65	290 300	430 460	700 780	800 920	1100 1180
40	25 0-20	320 370	410 480	650 720	1200 1250	1150 1500	1300 2120	200 221	360 480	410 480	950 1150	1200 1250	1550 1750	72 78	320 370	360 480	730 840	950 1150	1260 1380
50	35 30 0-25	370 410 420	700 760 800	770 850 890	1250 1550 1650	1500 1850 2050	2500 2900 3050	238 250 266	480 530 580	700 760 800	1150 1400 1460	1250 1550 1650	1950 2100 2400	81 93 100	370 410 420	480 530 580	900 1050 1100	1150 1400 1460	1450 1680 1800
60	45 40 35 0-30	420 450 470 480	760 850 920 980	840 1000 1100 1140	1250 1650 1750 1850	1700 2000 2200 2350	2700 3050 3250 3500	275 288 310 320	530 610 660 680	760 850 920 980	1300 1600 1720 1820	1350 1650 1750 1850	2100 2300 2600 2700	95 104 111 115	420 450 470 480	530 610 660 680	1000 1100 1150 1200	1300 1500 1720 1820	1650 1850 1970 2200
75	55 50 45 0-40	550 570 580 590	890 1060 1120 1200	1200 1320 1380 1400	2000 2250 2400 2600	2300 2560 2800 3200	3750 3900 4300 4500	335 351 370 385	720 750 800 860	830 1060 1120 1300	1990 2030 2120 2200	2000 2250 2400 2600	2850 3100 3350 3550	118 127 134 138	550 570 580 590	720 750 800 860	1350 1400 1430 1450	1900 2030 2120 2200	2150 2400 2550 2650
100	75 60 0-50	600 670 690	1150 1300 1480	1480 1800 1850	2400 3000 3400	3100 3900 4400	4900 5350 5850	440 460 475	900 980 1000	1150 1300 1480	2450 2750 2880	2500 3000 3400	3700 4650 4700	151 174 177	800 670 690	900 990 1000	1740 1830 1870	2450 2750 2880	3100 3450 3600
125	100 75 0-50	650 750 800	1300 1700 1770	1700 2000 2100	3150 4000 4200	3550 4600 5600	5300 6750 7500	525 545 570	1000 1200 1230	1300 1700 1770	2700 3250 3400	3150 4000 4200	4200 5400 5850	175 213 215	650 750 800	1000 1200 1230	1900 2150 2200	2700 3250 3400	3350 4300 4400
150	125 100 0-75	810 930 950	1600 1860 2100	2050 2450 2700	3800 4500 4900	4450 5350 6150	6200 7500 8000	565 660 680	1200 1400 1480	1600 1860 2100	3250 3850 4000	3800 4500 4900	5150 6300 6800	198 240 254	810 930 950	1200 1400 1480	2300 2750 2760	3250 3850 4000	4100 4800 5200
175	150 125 100 0-75	920 1050 1100 1150	1850 2150 2280 2400	2250 2700 3000 3100	4100 5000 5500 5800	5000 6200 6900 7400	6900 8600 9500 9750	636 755 800 810	1400 1570 1640 1680	1850 2150 2280 2400	3600 4380 4600 4650	4100 5000 5500 5800	5900 7000 7600 7800	220 226 290 295	920 1050 1100 1150	1400 1570 1640 1680	2600 3000 3100 3200	3600 4360 4600 4650	4500 5320 5800 5800
200	150 125 0-100	1130 1200 1250	2400 2600 2680	2850 3200 3400	5500 6000 6500	6700 7600 7800	9200 10450 11000	815 885 880	1650 1850 1900	2400 2600 2680	4600 5000 5200	5500 6000 6500	7700 8400 8600	291 327 330	1130 1200 1250	1650 1850 1900	3100 3250 3300	4600 5000 5200	5800 6500 6900
225	175 150 0-125	1260 1370 1430	2480 2790 3000	3080 3540 3770	5980 6840 7200	7180 8370 9120	10150 11600 12200	910 983 1020	1750 2000 2050	2480 2790 3000	5150 5730 5950	5980 6840 7200	8260 9250 9640	315 355 370	1260 1370 1430	1750 2000 2050	3150 3650 4020	5150 5730 5950	6400 7150 7500
250	200 175 150 0-125	1350 1480 1550 1550	2670 3000 3250 3280	3250 3700 4150 4300	6480 7350 7970 8050	7340 8650 9650 9980	10920 12370 13360 13720	960 1080 1150 1140	1620 1880 2150 2250	2670 3000 3250 3280	5500 6150 6600 6650	6480 7350 7970 8050	8850 9900 10840 10680	339 380 405 410	1350 1480 1550 1550	1880 2150 2250 2250	3400 3970 4440 4500	5500 6150 6800 6650	6850 7680 8300 8330

Note: Capacity based on saturated steam at valve inlet

†For inlet pressures below 20 psig, see chart below.

††When the outlet steam pressure is 50% or less of the inlet pressure, always use the lowest outlet pressure shown in the capacity table.

**Model 2150**

Pressure psig		Main Valve Size					
		Full Port					
IN	OUT	¾"	1"	1¼"	1½"	2"	
30	27	180	330	690	935	1500	
	25	240	430	885	1225	1900	
	20	490	670	1250	1550	2500	
	15	450	760	1375	1770	2950	
	0-10	520	870	1575	2100	3400	
25	22	170	320	670	870	1400	
	20	230	420	865	1100	1800	
	15	485	650	1215	1490	2400	
	10	430	720	1325	1700	2800	
	0-5	460	770	1380	1900	3100	
20	17	160	290	640	800	1300	
	15	220	400	835	1140	1850	
	10	360	600	1150	1420	2300	
	0-5	400	670	1250	1630	2650	
	15	12	150	270	600	740	1170
10		215	385	800	920	1500	
8		260	450	940	1100	1750	
5		315	510	1000	1250	2020	
0-2.5		345	540	1040	1360	2200	
12	9	140	250	570	700	1100	
	7	210	360	750	800	1460	
	5	250	410	900	1050	1700	
	0-2	300	480	940	1200	1850	
	10	7	130	240	540	670	1050
5		200	350	730	860	1400	
0-2		250	420	820	1040	1600	
9		6	125	230	520	630	1000
		4	190	350	650	815	1320
	0-2	230	405	720	940	1500	
	8	5	120	220	500	600	940
		0-3	180	340	630	800	1250
7		4	115	215	485	570	870
		0-2	175	325	560	780	1200
		6	3	105	210	470	540
	0-1		160	295	540	660	1050
	5		2	100	200	450	500
0-1			140	240	490	550	850

Capacity based on saturated steam at valve inlet.

Based on 1 psi accuracy of control.

Pressure differential must be at least 3 psi in order for valve to operate.



Xylem Inc.  
 8200 N. Austin Avenue  
 Morton Grove, Illinois 60053  
 Phone: (847) 966-3700  
 Fax: (847) 965-8379  
 www.bellgossett.com