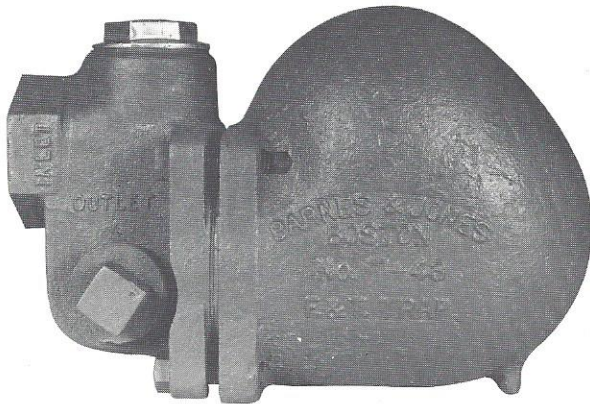
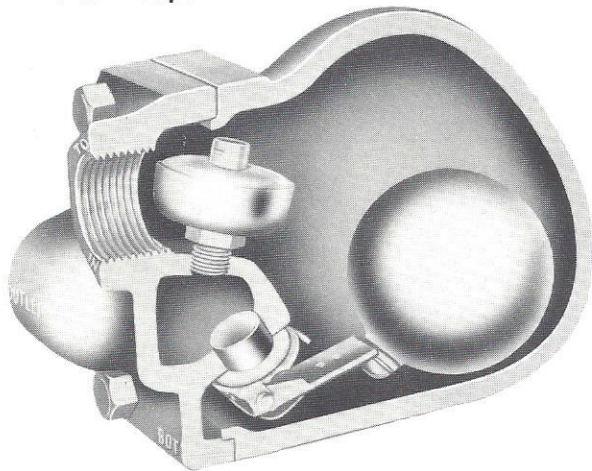




FLOAT & THERMOSTATIC STEAM TRAPS FOR STEAM SERVICE, 0-15 PSIG, 0-65 PSIG, AND 0-125 PSIG



Exterior view 1/4", 1/2" & 2"
F & T Traps



Interior 3/4" & 1" F & T Traps, all pressure ratings

- Heavy duty semi steel body
- Stainless steel valve plug.
- Stainless steel seat.
- Corrosion resistant float.
- One piece thermostatic "Cage Unit" for air removal.
- 3/4", 1", 1-1/4", 1-1/2" and 2" pipe sizes.
- Choice of outlet tapings.
- Water sealed, float operated valve for immediate discharge of condensate.
- All parts easily accessible with trap on line.

Float and thermostatic traps, sometimes called heavy duty traps or blast traps, are for handling sudden and large condensate loads that are greater and more variable that can be handled efficiently by thermostatic traps.

Unlike thermostatic traps which require a drop in temperature for opening, float and thermostatic traps respond instantly to sudden loads of condensate. They pass the condensate as soon as it reaches the trap, regardless of the temperature of the condensate. This is accomplished through a water sealed, float operated valve. In addition, a thermostatic element located in the top section of the trap is an automatically controlled air by-pass which allows air to escape as fast as it accumulates.

These features make this trap particularly well adapted for service in dripping steam mains, unit heaters, hot water tanks, process work, in fact, for any draining service of variable or sudden condensate loads.

FLOAT TRAPS

Float traps are simply F & T traps without the thermostatic element for special service. Any B & J Float & Thermostatic trap can be furnished on request as a float trap at the same price. The thermostatic element is removed and the air outlet is plugged.

CAPACITIES OF FLOAT AND THERMOSTATIC TRAPS

LOW PRESSURE SERIES LBS. CONDENSATE PER HOUR

Pressure Differentials PSIG		1/8	1/4	1/2	3/4	1	2	5	10	15	Wt., Lbs.
Size	No.										
3/4"	41T	50	70	100	120	140	200	210	220	230	6 1/2
1"	42T	125	175	250	300	350	500	525	550	575	12
1 1/4"	43T	300	425	600	735	850	1200	1260	1320	1380	16 3/4
1 1/2"	44T	600	850	1200	1470	1700	2400	2520	2640	2760	29
2"	457T	1250	1775	2500	3060	3550	5000	5250	5500	5750	45

Above ratings are in accordance with standards adopted by the Steam Heating Equipment Manufacturers' Association, providing for the continuous elimination of air when the trap is operating at its maximum rating.

In sizing traps—select the size providing the required capacity at the lowest pressure differential that is likely to prevail in the system. Allow for start up loads, bearing in mind that usually the greatest load occurs when the steam pressure is lowest.

MEDIUM PRESSURE SERIES LBS. CONDENSATE PER HOUR

Pressure Differentials PSIG		20	30	40	50	60	65	Wt., Lbs.
Size	No.							
3/4"	653	450	540	640	730	800	830	13
1"	654	615	725	830	950	1050	1100	13 1/2
1 1/4"	655	1420	1630	1910	2140	2320	2400	17
1 1/2"	656	2820	3318	3840	4327	4730	4980	30
2"	657	6680	7910	9077	9923	10240	10748	46

HIGH PRESSURE SERIES LBS. CONDENSATE PER HOUR

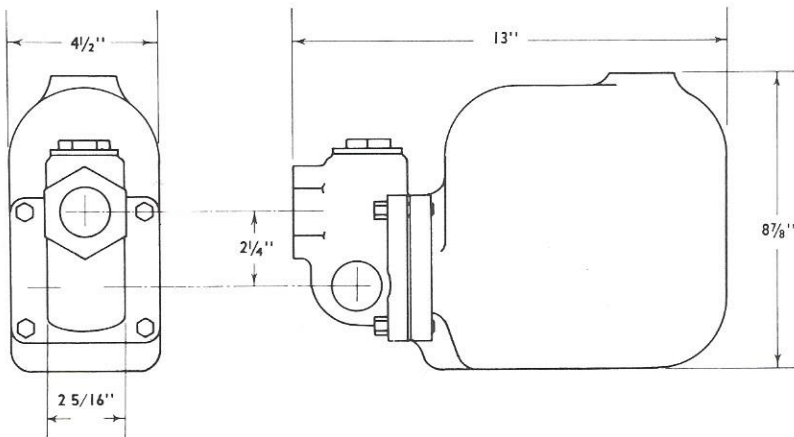
Pressure Differential PSIG		70	80	90	100	125	Wt. Lbs.
Size	No.						
3/4"	753	930	1005	1035	1075	1170	13 1/2
1"	754	930	1005	1035	1075	1170	13 1/2
1 1/4"	755	1600	1675	1780	1880	2140	17
1 1/2"	756	1600	1675	1780	1880	2140	17

A NOTE ABOUT CAPACITIES

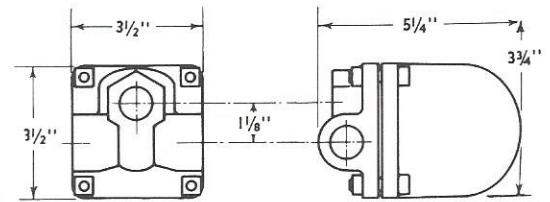
Our Medium and High Pressure F & T trap capacities are based on continuous discharge at steam temperature. These ratings are, in effect, gross capacities and a safety factor should be used in sizing all Medium and High Pressure F & T traps. A factor of twice the hourly condensate is frequently adequate to handle peak loads.



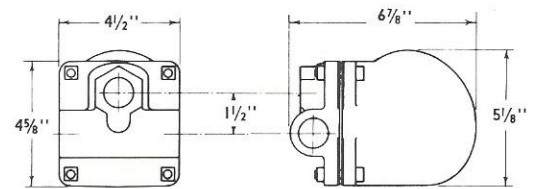
OUTLINE DIMENSIONS F & T TRAPS FOR LOW PRESSURE, MEDIUM PRESSURE AND HIGH PRESSURE SERVICE.



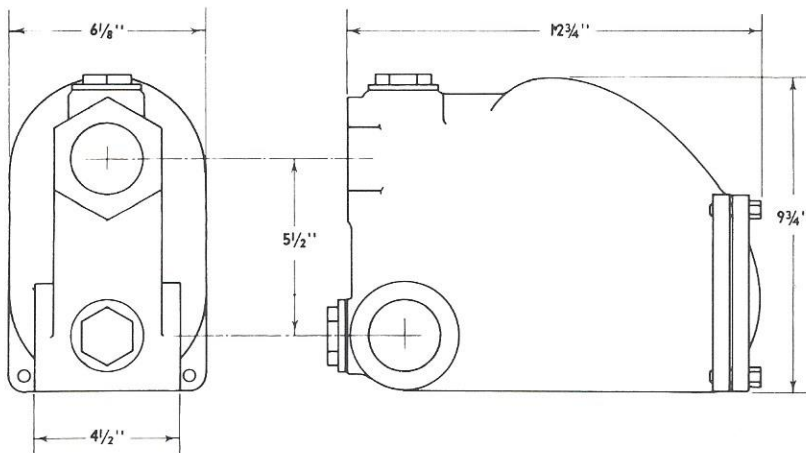
1 1/2" No. 44T, 656



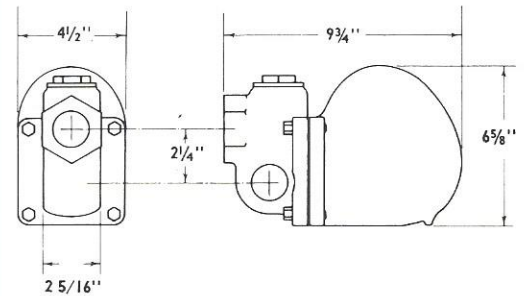
3/4" No. 41T.



3/4" No. 653 & No. 753
1" No. 42T, No. 654 & No. 754



2" No. 457T & 657



1 1/4" No. 43T, 655 & 755
1 1/2" 756