



The **IPCP-POEMONITOR** is a monitor that can be powered with a single Ethernet cable via PoE. No more taking up space at your outlets or calling expensive electricians to extend your power connections.

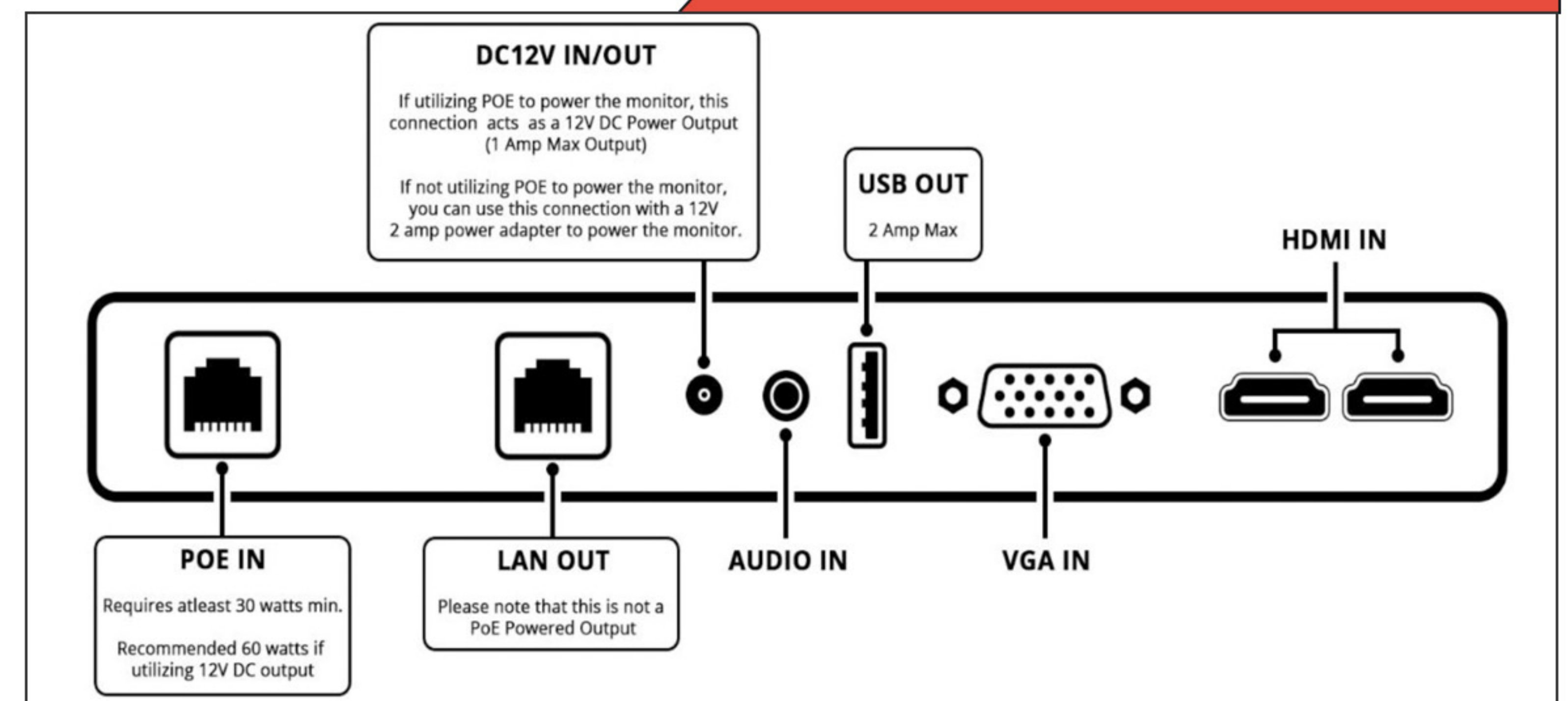
Furthermore, this monitor has a built-in 12V DC output, a LAN output, and a USB power output. When connected to a PoE switch, this monitor can power a variety of 12V DC devices and connect devices to your network. This is great for a variety of

- ◆ A 21.5" monitor which can be powered with 12V DC power or Power over Ethernet
- ◆ **Multiple Inputs:** Connect multiple devices to your monitor with two HDMI video inputs, one VGA video input, and an audio input.
- ◆ **Multiple Outputs:** You can power your monitor with the included 12V DC adapter. However, if you power your monitor with PoE, the power connection becomes a 12V DC output connection. There is also a USB power out connection and a LAN network output connection.
- ◆ When using PoE, this device requires a *minimum* of 30W of power, with a PoE+ switch (IEEE 802.3at). However, when using the monitor to power additional devices, it's recommended to use up to 60W of power with a PoE++ switch (IEEE 802.3bt).

TECHNICAL SPECIFICATIONS

Product Name	21.5" FullHD 1080p PoE-Powered Monitor
Product Model	IPCP-POEMONITOR
Screen Size	21.5"
Resolution	1920 x 1080
Input/Output	HDMI 2.0 x 2 VGA RJ 45 PoE Input RJ 45 Signal Output Audio Input USB 5V Output, 2 Amp Max 12V DC Output, 1 Amp Max (When Powered via PoE)
OSD Control	Auto adjust, Brightness, Contrast, Hori./Vert. Position, Clock, Phase, Color, Language
Power	12V DC 3A; PoE+ 30W (IEEE 802.3at) Required for PoE; PoE++ 60W (IEEE 802.3bt) Required When Using 12V DC Output
Power Consumption	<25W
Operation	24/7 Rated
MTBF	50,000 Hours
Mount	Stand mount (included), VESA mountable (100x100)
Dimensions	20 x 12 x 2 in
Weight	7.7 lbs
Warranty	3 Year Warranty
Packing List	PoE-Powered Monitor, 12V DC Power Supply, Mounting Screws, Cable Holder, Remote Control, Quick Start Guide

CONNECTION DIAGRAM



PRODUCT DIMENSIONS

