



# WPO100

## Medium-Duty Single-Deck Pizza Oven



Medium-Duty Single-Deck Pizza Oven



Unit is  
stackable:  
WPO100KIT  
Stacking Kit

### MAIN FEATURES

- Ceramic pizza deck fits a 14" pizza
- 3.5-inch-high chamber opening
- Temperature settings from 280°F – 600°F
- Heating elements above and below deck
- 15-minute timer
- Power ON/OFF switch with indicator light
- Tempered glass door and oven light let you monitor the cooking process
- Removable pizza deck for easy cleaning
- Includes a cleaning brush with heavy-duty bristles for cleaning the deck without damaging the ceramic
- Limited One-Year Warranty

### ELECTRICAL

Voltage: 120

Frequency: 60 Hz

Watts: 1800

Amps: 15

Plug Type: NEMA 5-15P ⓘ

Cord Length: 3 feet



### SALES FEATURES

Add pizza to your menu and generate another revenue stream with the Waring® WPO100 Single Pizza Oven. Designed to cook pizza to perfection, the unit is ideal for quick-service restaurants, concession stands, convenience stores, and cafeterias that want to treat customers to a quick slice or whole pie. Easy to use whether by self-serve or staff, with a space-saving design that fits on any counter.



@waringcommercial

©2019 Waring Commercial  
314 Ella T. Grasso Avenue, Torrington, CT 06790  
Tel. 800-492-7464 • Fax 860-496-9008

[waringcommercialproducts.com](http://waringcommercialproducts.com)

WPO100



# Medium-Duty Single-Deck Pizza Oven WPO100

## PARTS & ACCESSORIES



**CAC105** Heavy-Duty Grill Brush



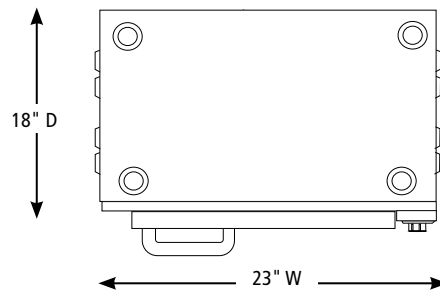
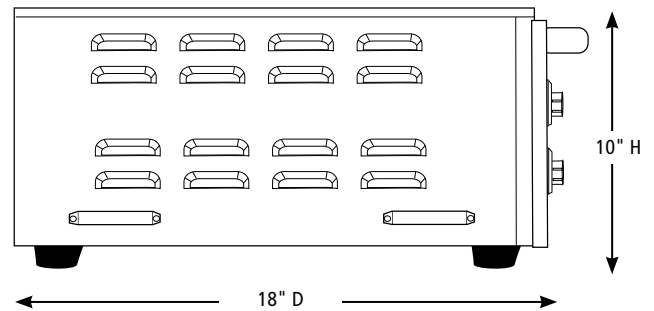
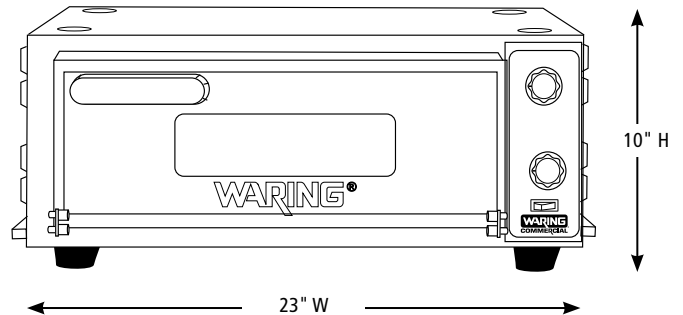
**WPO100PS** Ceramic Pizza Stone

## OPTIONAL ACCESSORY



**WPO100KIT** Stacking Kit

## DIMENSIONS



Out of Box Weight: 50 lb.

ORDERING INFORMATION	#STD. PKG.	GIFTBOX WEIGHT	CUBIC FEET	BOX DIMENSIONS D X W X H	UPC	CASE PKG.	MC WEIGHT	MC DIMENSIONS D X W X H	MBC
WPO100 – Medium-Duty Single-Deck Pizza Oven	1	58	6.26	25.375" x 27.5" x 15.5"	040072083419	1	58	25.375" x 27.5" x 15.5"	10040072083416



@waringcommercial

©2019 Waring Commercial  
314 Ella T. Grasso Avenue, Torrington, CT 06790  
Tel. 800-492-7464 • Fax 860-496-9008

waringcommercialproducts.com

19WC059759 / REV 03/19