



# WCM3

## 3kg Chocolate Melter



3kg Chocolate Melter



### MAIN FEATURES

- Two sizes:
  - WCM3 3kg/6.61 lb. (65W/120V)
  - WCM6 6kg/13.23 lb. (130W/120V)
- Probe ensures most accurate temperature reading (included)
- Temperature range from 68° F/20° C to 140° F/60° C
- Accurate temperature control with LCD digital screen display
- Housing rim designed to prevent chocolate from seeping under the pan
- Lid cutouts accommodate a ladle and probe
- Limited One Year Warranty

### ELECTRICAL

Voltage: 120

Frequency: 60 Hz

Watts: 125

Amps: 0.5

Plug Type: 5-15 ⓘ

Cord Length: 3 feet



### SALES FEATURES

The perfect temperature for the ideal consistency, the Waring® Chocolate Melter liquefies pure chocolate for dipping, candy making or ladling over your signature desserts. The melter features water-resistant touch controls and an LCD digital screen with readout in Celsius or Fahrenheit. It shows you the set temperature and the probe temperature—a Ready indicator appears when the temperatures match. The unit heats up gently and holds its temperature with no hotspots. It's easy to clean and available in two sizes.



@waringcommercial

©2020Waring Commercial  
314 Ella T. Grasso Avenue, Torrington, CT 06790  
Tel. 800-492-7464 • Fax 860-496-9008

[waringcommercialproducts.com](http://waringcommercialproducts.com)

WCM3



## PARTS & ACCESSORIES



**WCM3LID** Lid Replacement for WCM3



**WCMPRB** Probe for WCM3 and WCM6

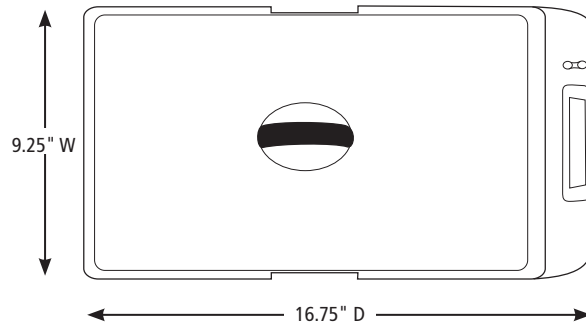
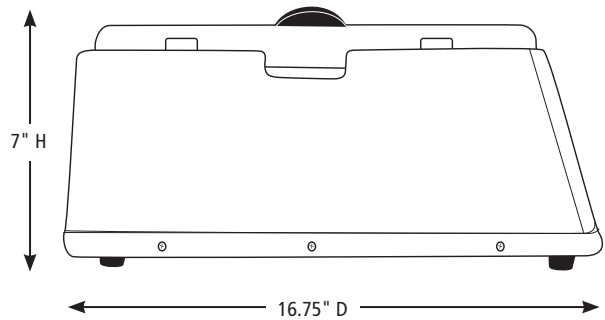
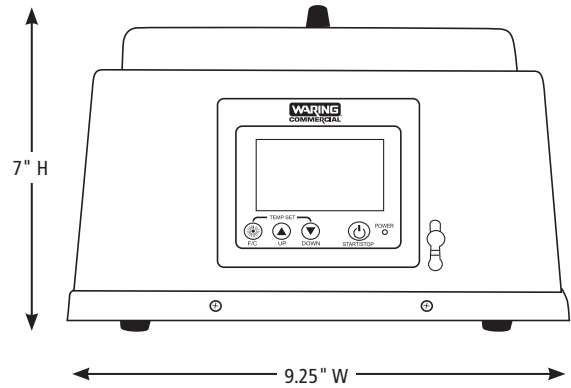


**WCM3SSPAN** Pan Replacement for WCM3



**WCMPRBC** Probe Clip Holder for use with WCMPRB

## DIMENSIONS



Out of Box Weight: 4 lb.

| ORDERING INFORMATION        | #STD. PKG. | GIFTBOX WEIGHT | CUBIC FEET | BOX DIMENSIONS L X W X H | UPC          | CASE PKG. | MC WEIGHT | MC DIMENSIONS L X W X H | MBC            |
|-----------------------------|------------|----------------|------------|--------------------------|--------------|-----------|-----------|-------------------------|----------------|
| WCM3 – 3kg Chocolate Melter | 1          | 4              | .93        | 11.26" x 17.6" x 8.1"    | 040072037696 | 4         | 27.4      | 23.5" x 18.6" x 16"     | 10040072037693 |

