

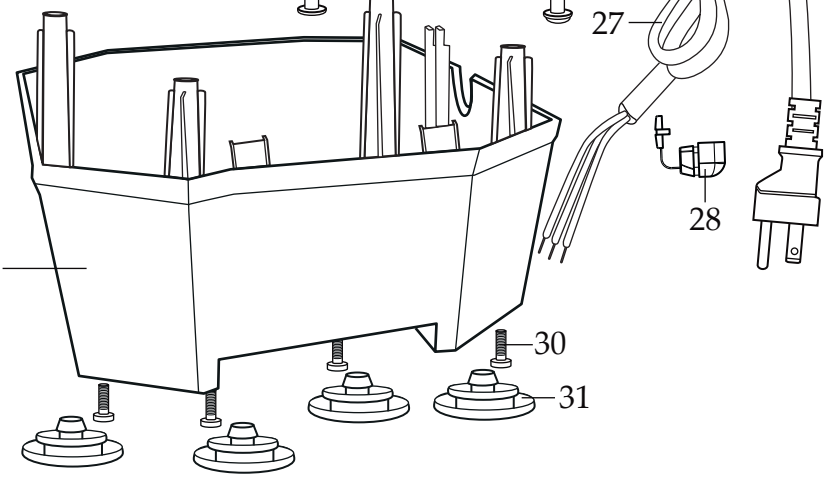
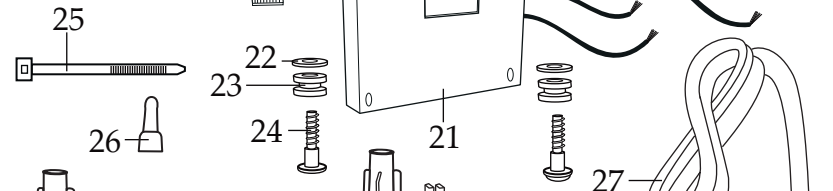
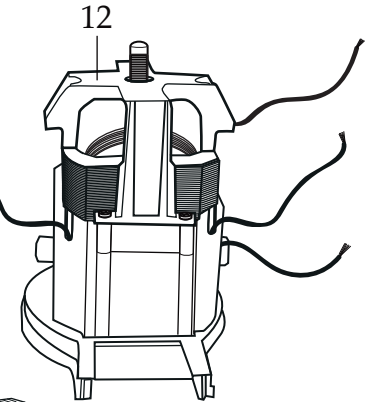
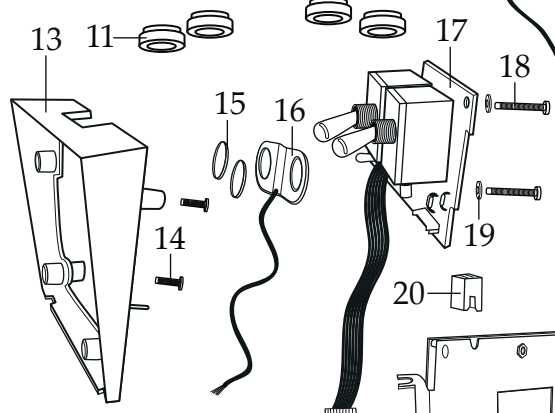
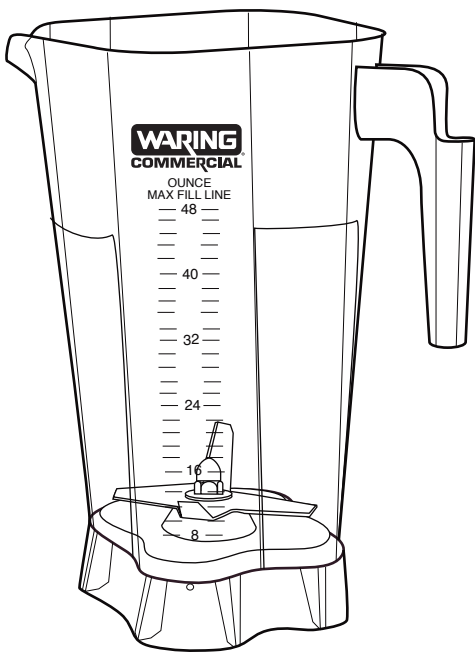
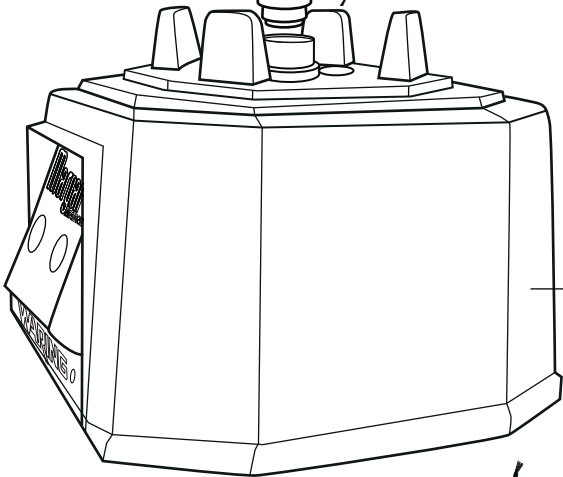
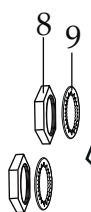
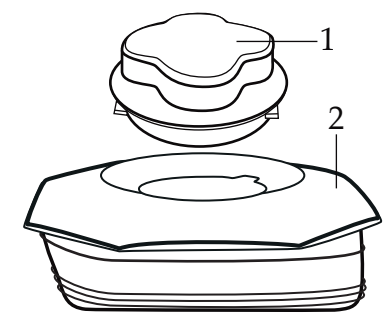
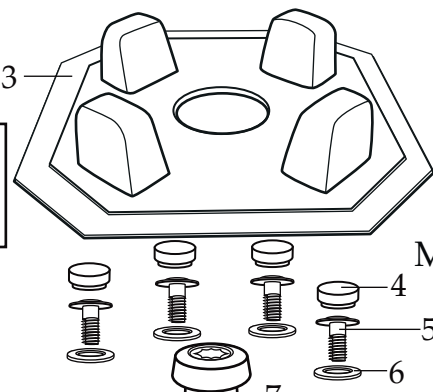
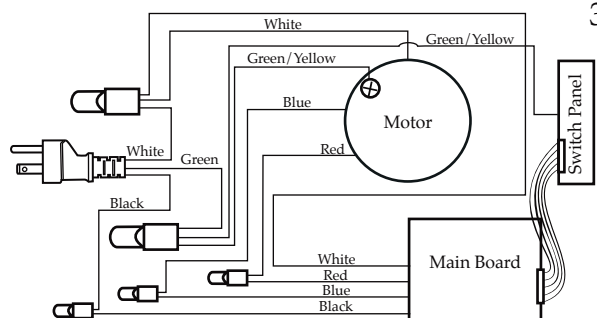


# MMB145

## Margarita Madness™ Blender with 2 Toggle Switches

### Unit Information

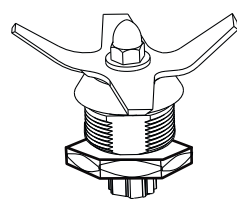
|                                       |
|---------------------------------------|
| 60Hz – 13 Amps                        |
| 2 HP Motor                            |
| 48 oz. BPA-Free Unbreakable Container |



**030855 Jar ONLY**

**030856 Jar with Blending Assembly**

**033038 Jar Complete with Blending Assembly and Lid (CAC106)**



**030857 Blending Assembly ONLY (with hex nut and washer)**

| Illustration # | Part #  | Description   |
|----------------|---------|---|
| 1              | 030853  | Center Lid  |
| 2              | 030854  | Outer Lid   |
| 3              | 030858  | Jar Pad   |
| 4              | 030859  | Hole Plug (4 required)  |
| 5              | 030860  | Screw (shoulder 4 required)   |
| 6              | 030861  | Washer (4 required)   |
| 7              | 034349  | Drive Coupling ( <i>current production</i> )                        |
|                | 032496  | Drive Coupling ( <i>2nd generation effective October 20, 2011</i> ) |
|                | 030862  | Metal Drive Coupling ( <i>older units</i> )                         |
| 8              | 030864  | Hex Nut (2 required)  |
| 9              | 030865  | Lock Washer (2 required)  |
| 10             | 034350  | Top Housing with Nameplate ( <i>current production</i> )            |
|                | 030863  | Top Housing with Nameplate  |
| 11             | 030866  | Motor Seal (4 required)   |
| 12             | 030874  | Motor   |
| 13             | 030868W | Switch Bracket  |
| 14             | 030869  | Screw (2 required)  |
| 15             | 030870  | Washer (2 required)   |
| 16             | 030871  | Grounding Bracket with Lead   |
| 17             | 030872  | Switch Panel  |
| 18             | 030873  | Screw (2 required)  |
| 19             | 031132  | Washer (2 required)   |
| 20             | 031133  | PCB Cushion (2 required)  |
| 21             | 030875  | Main Board with Bracket   |
| 22             | 030876  | Washer (2 required)   |
| 23             | 031130  | Rubber Bushing (2 required)   |
| 24             | 030877  | Screw (2 required)  |
| 25             | 013731  | Cable Tie (4 required)  |
| 26             | 012409  | Crimp Connector (small 3 required)                                  |
|                | 019123  | Crimp Connector (large 2 required)                                  |
| 27             | 030878  | Cord  |
| 28             | 030879  | Strain Relief   |
| 29             | 030880  | Bottom Housing  |
| 30             | 030881  | Screw (4 required)  |
| 31             | 030882  | Foot (4 required)   |

